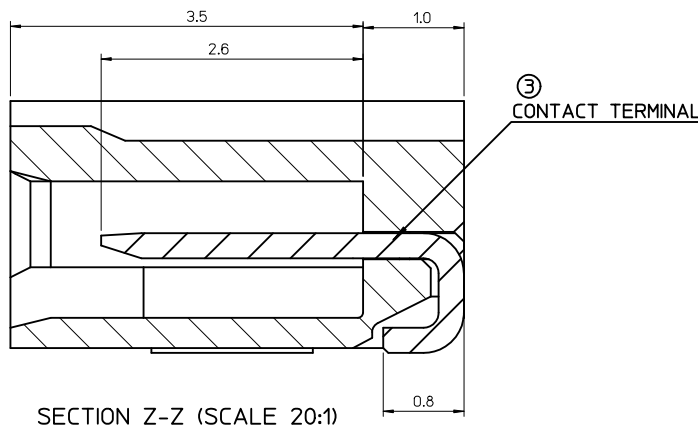
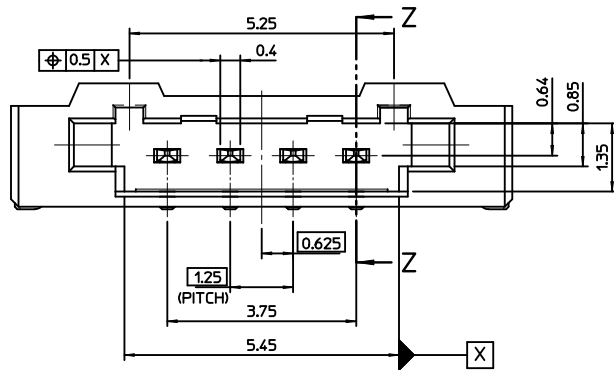
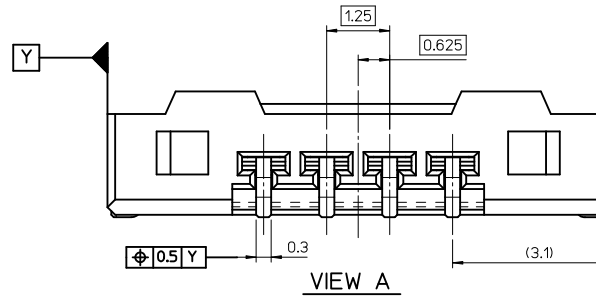
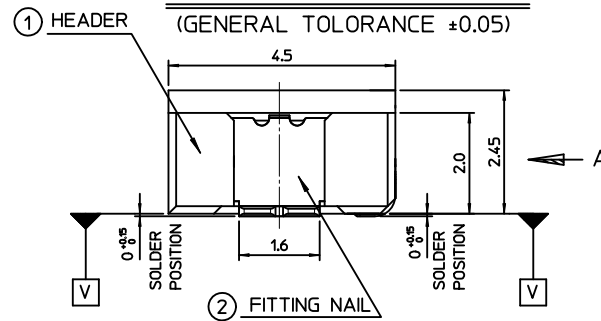


RECOMMEND PATTERN (REF.)  
(GENERAL TOLERANCE ±0.05)



NOTE

- MATED WITH : 104085-0400, 104085-0410 , 101085-0420
- MATERIALS
  - ① - HEADER : LCP(E130I), GLASS FILLED, UL94V-0, HALOGEN FREE, COLOR OF NATURAL
  - ② - FITTING NAIL : PHOSPHOR BRONZE, 0.2mm THICKNESS
  - ③ - CONTACT TERMINAL : POSPHOR BRONZE, 0.25mm THICKNESS
- FINISHES
  - ② - FITTING NAIL : PURE-TIN PLATING ON OVERALL.  
THICKNESS 3.0µm-5.0µm  
UNDER PLATING Ni OVERALL.  
THICKNESS 1.25µm-3.75µm
  - ③ - CONTACT TERMINAL : PURE-TIN PLATING ON OVERALL.  
THICKNESS 3.0µm-5.0µm  
UNDER PLATING Ni OVERALL.  
THICKNESS 1.25µm-3.75µm
- COPLANALITY OF SOLDER TAILS (PEAK TEMP. : 260°C), BEFORE & AFTER REFLOW : 0.08MAX

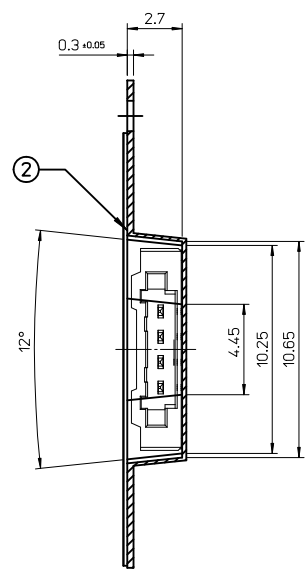
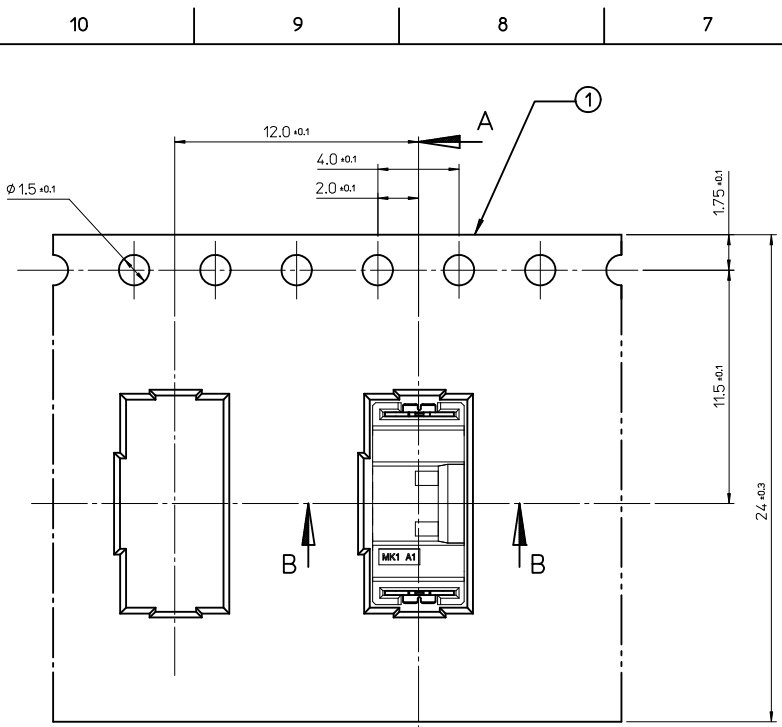
ORDER NUMBER	104086-0410
DESIGN UNITS	METRIC
THIRD ANGLE PROJECTION	

1.25 W-T-B CONN.  
HEADER ASS'Y-4P

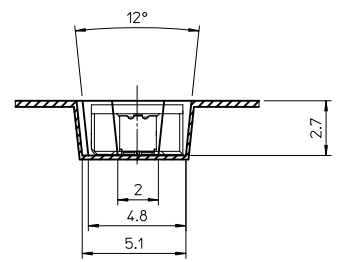
**MOLEX INCORPORATED**

DOCUMENT NO. SD-104086-001 SHEET NO. 1 OF 01

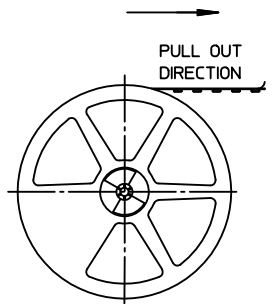
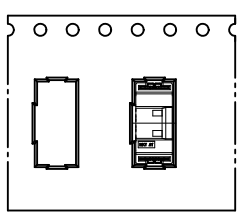
NEW RELEASED EC NO: KOR2011-0057 DRWN:CBCHN 2010/12/02 CHKD:SH-CHU 2010/12/02 APPR:YUNSIKKIM 2010/12/02	QUALITY SYMBOLS	GENERAL TOLERANCES (UNLESS SPECIFIED)	DIMENSION STYLE	SCALE	DESIGN UNITS	THIRD ANGLE PROJECTION	
	▽=0 ∇=0	mm INCH	MM ONLY	10:1	METRIC		
		4 PLACES ± --- ± --- 3 PLACES ± --- ± --- 2 PLACES ± 0.20 ± --- 1 PLACE ± 0.25 ± ---	DRAWN BY DATE JB. JIN 2010/07/08	CHECKED BY DATE SH. CHU 2010/07/08	TITLE	1.25 W-T-B CONN. HEADER ASS'Y-4P	
		ANGULAR ± ---°	APPROVED BY DATE YSOO.KIM 2010/07/08	MATERIAL NO.	MOLEX INCORPORATED		
		DRAFT WHERE APPLICABLE MUST REMAIN WITHIN DIMENSIONS	SIZE	THIS DRAWING CONTAINS INFORMATION THAT IS PROPRIETARY TO MOLEX INCORPORATED AND SHOULD NOT BE USED WITHOUT WRITTEN PERMISSION			
A	REV		A3				



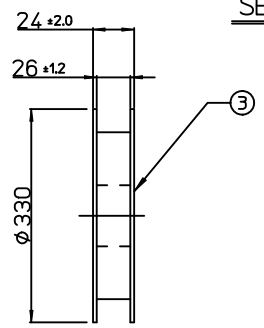
SECTION A-A



SECTION B-B



PLASTIC BOBBIN



NOTES

1. QUANTITY OF CONNECTORS : 2,000 PCS/REEL
2. LEAD LENGTH
3. PEELING OFF FORCE OF COVER TAPE : 0.1N~0.59N(10.2GF~60GF)  
 (PEELING DIRECTION AS SHOW IN FOLLOW FIG.)  
 PEELING OFF SPEED : 300mm/Min.(Ref.)

4. FLASH IN ANY PORTION SHOULD BE LESS THAN 0.20mm MAX.
5. UNLESS OTHERWISE SPECIFIED INNER R0.2 MAX
6. DRAFT ANGLE 3°MAX

NO.	DESCRIPTION	MATERIAL	REMARK
3	PLASTIC BOBBIN	HI P.S	WHITE
2	COVER TAPE	PET ANTISTATIC	21.3m
1	CARRIER (EMBOSSD) TAPE	PET ANTISTATIC	

NEW RELEASED EC NO: KOR2011-0057 DRWN:CBCHN 2010/12/02 CHKD:SH.CHU 2010/12/02 APPR:YUNSIKKIM 2010/12/02	QUALITY SYMBOLS	▽=0
		▽=0
	DESCRIPTION	
	REV	A

GENERAL TOLERANCES (UNLESS SPECIFIED)	
mm	INCH
4 PLACES ±---	±---
3 PLACES ±---	±---
2 PLACES ±0.25	±---
1 PLACE ±0.25	±---
ANGULAR ± 3 °	
DRAFT WHERE APPLICABLE MUST REMAIN WITHIN DIMENSIONS	

DIMENSION STYLE MM ONLY	
DRAWN BY JB. JIN	DATE 2010/07/09
CHECKED BY SH. CHU	DATE 2010/07/09
APPROVED BY YS00.KIM	DATE 2010/07/09
MATERIAL NO. 1040860410	
SIZE A3	

ORDER NO. 104086-0410	DESIGN UNITS METRIC	THIRD ANGLE PROJECTION
TITLE 1.25 W-T-B CONN HEADER ASS'Y-4P EMBOSSD PACKAGE		
MOLEX INCORPORATED		
MATERIAL NO. 1040860410	DOCUMENT NO. SD-104086-002	SHEET NO. 1 OF 01
THIS DRAWING CONTAINS INFORMATION THAT IS PROPRIETARY TO MOLEX INCORPORATED AND SHOULD NOT BE USED WITHOUT WRITTEN PERMISSION		