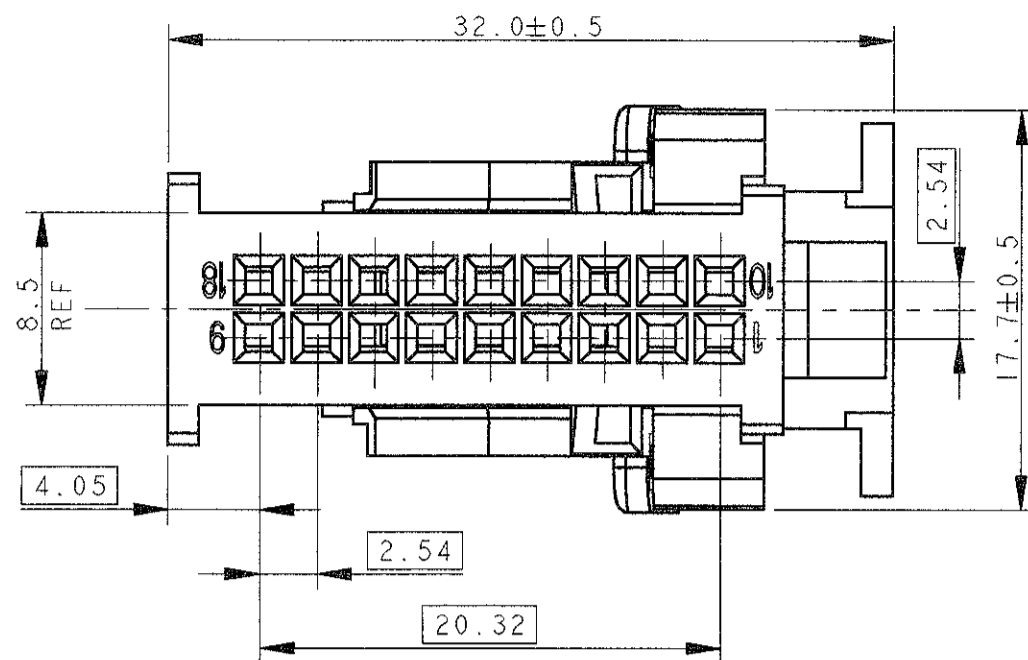
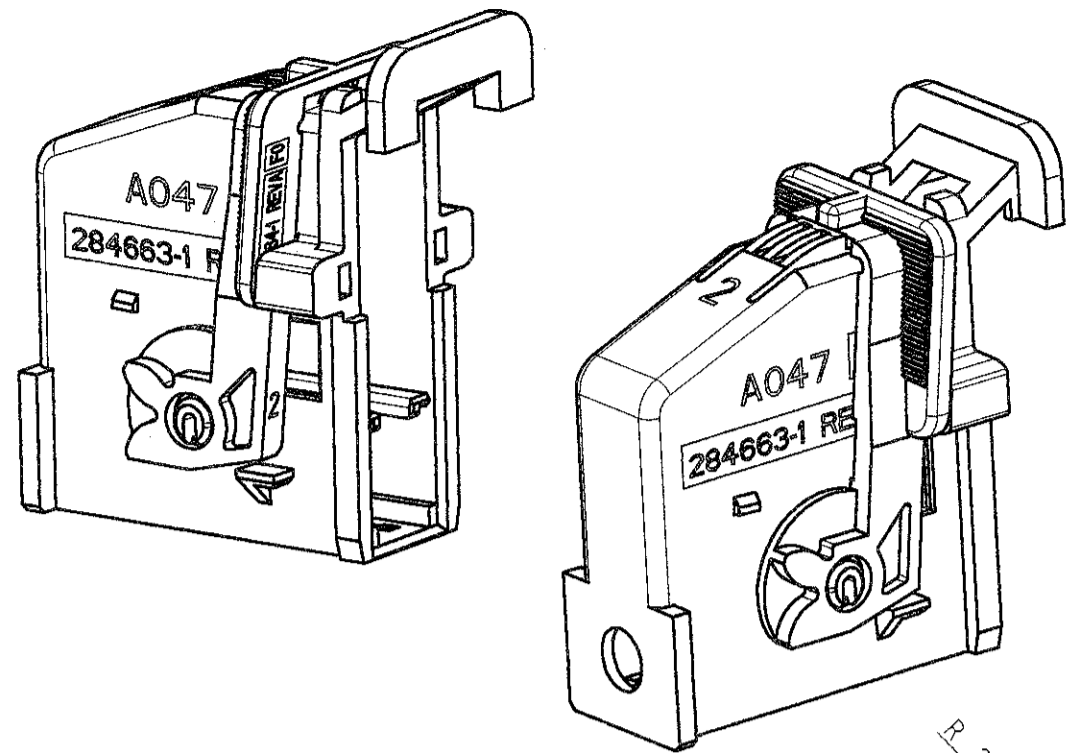
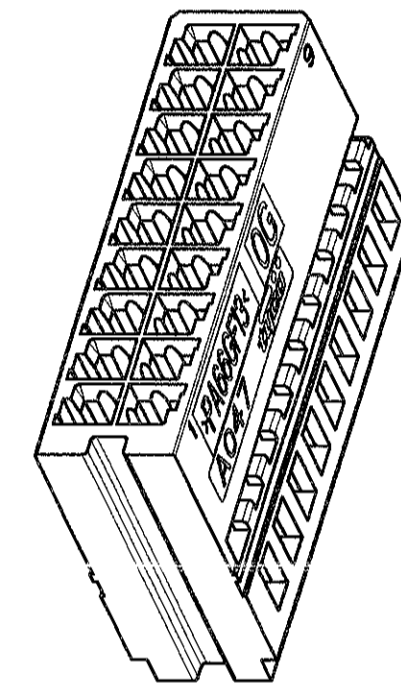
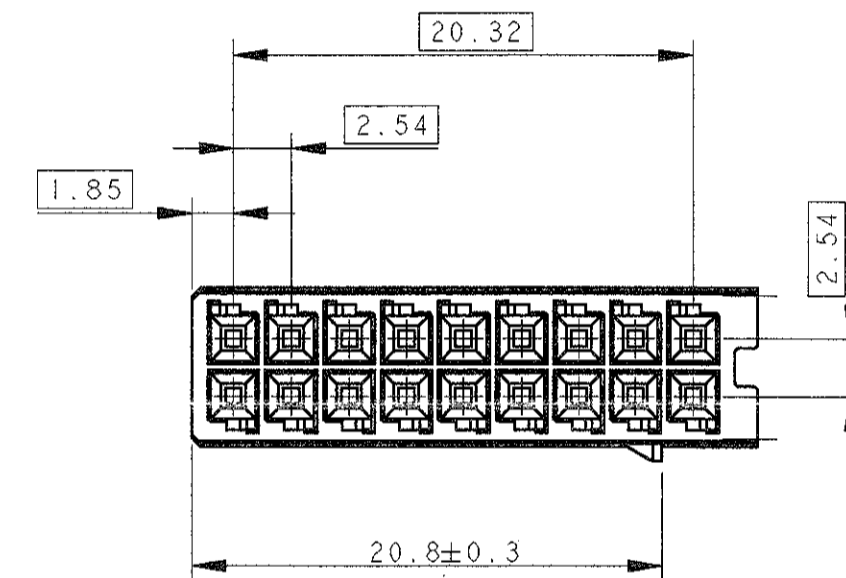
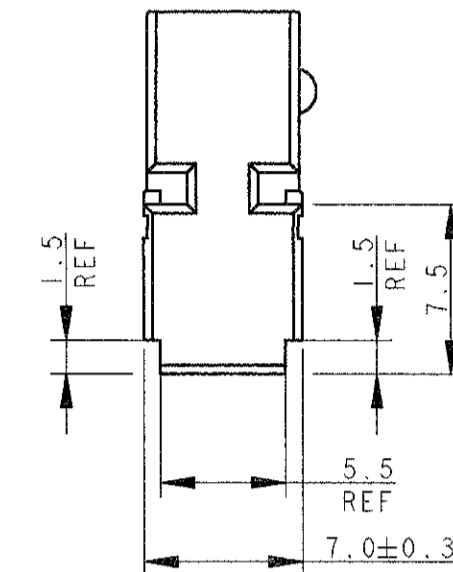
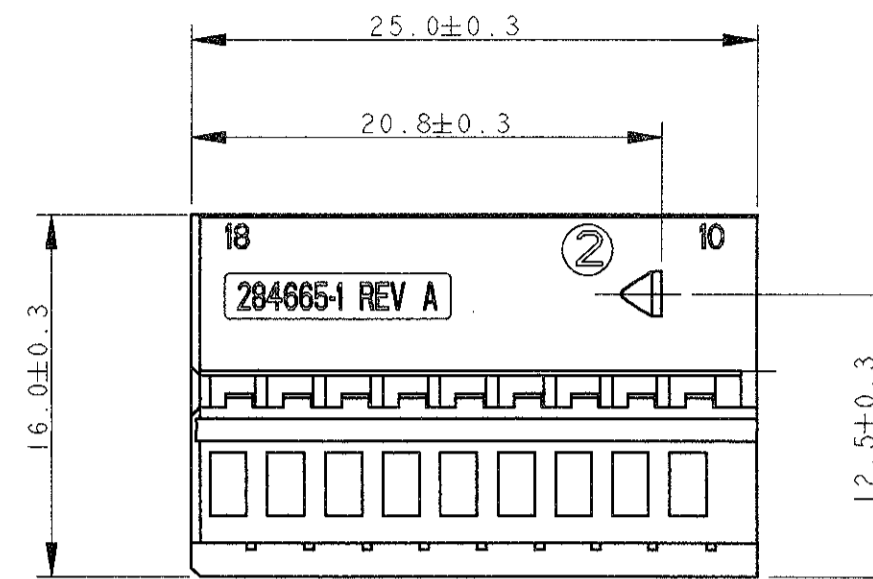
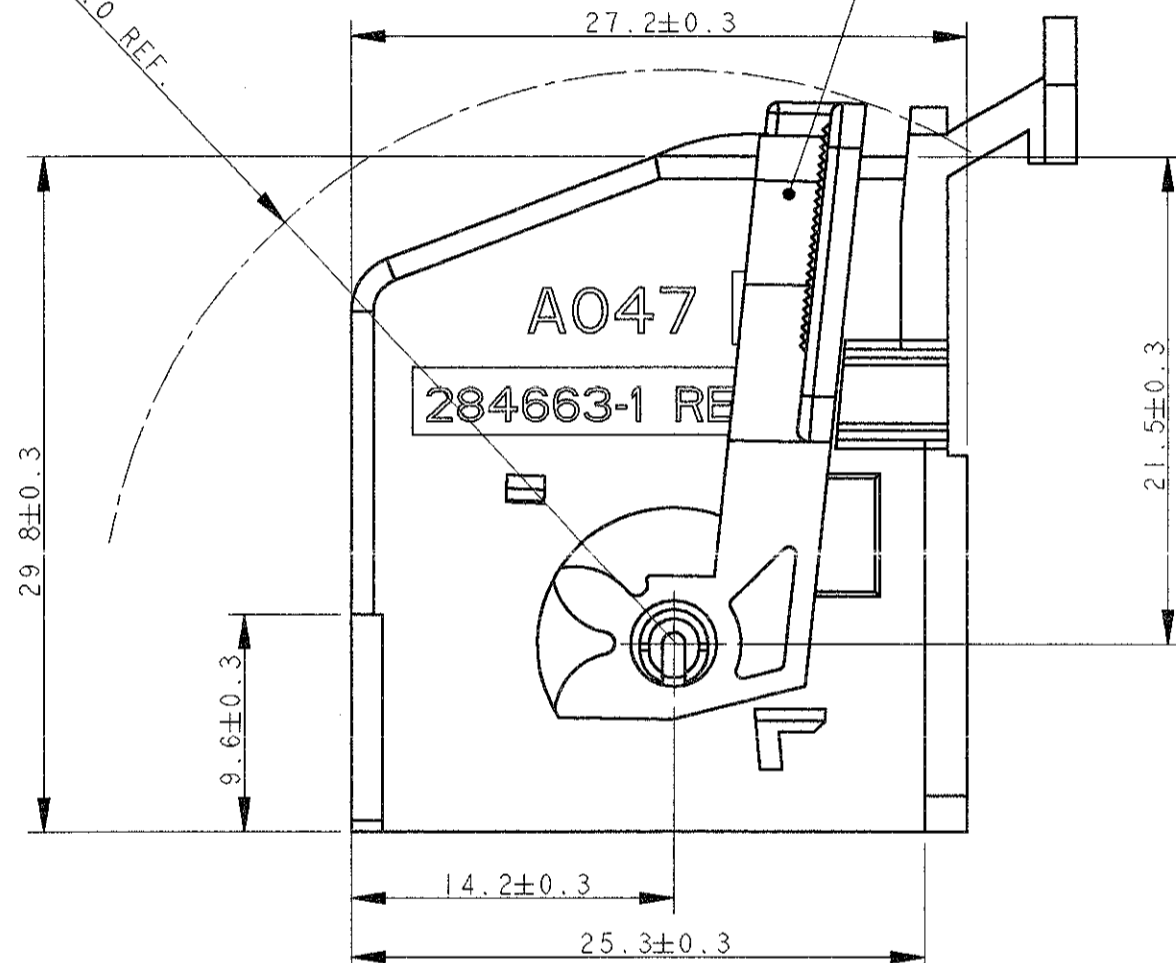
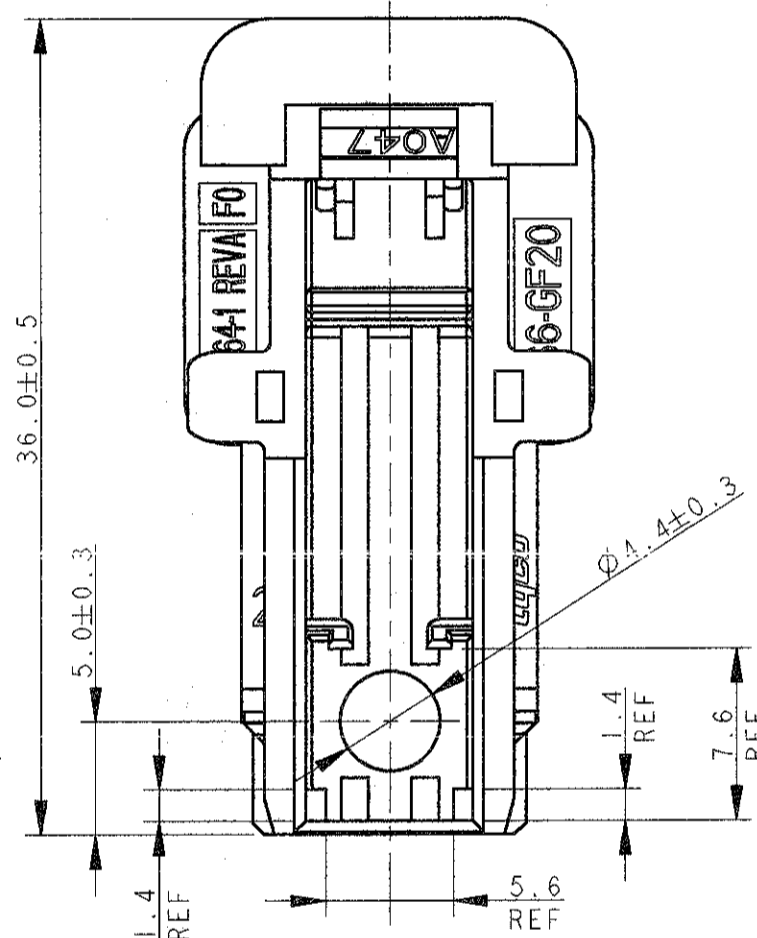


LOC		DIST		REVISIONS			
P	LTR	DESCRIPTION	DATE	DWN	APVD		
0		FIRST ISSUE	05JUL2000	M.P.	R.M.		
1		UPDATED	13JUL2000	M.P.	R.M.		
A		UPDATED DRAWING PER ET00-0241-00	29SEP2000	F.C.	O.C.		
AI		RELEASED FOR PRODUCTION PER ET00-0100-02	03NOV02	P.Z.			

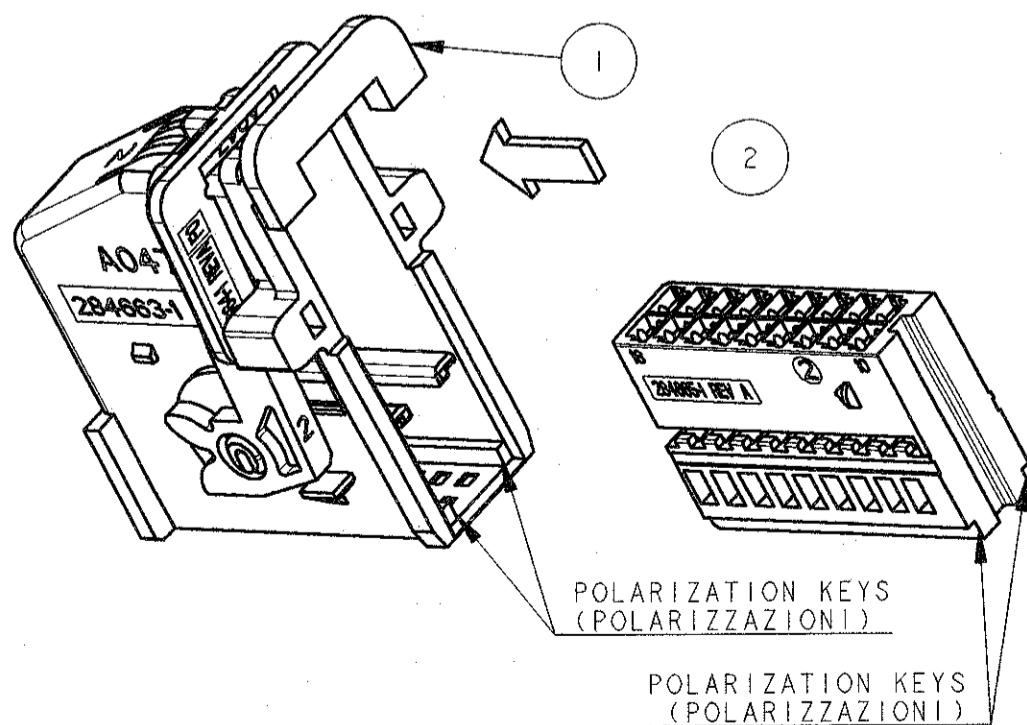


LEVER IN LOCKED POSITION
(LEVA IN POSIZIONE CHIUSA)



CODING TYPE -A- COLOUR BLACK, AS SHOWN (ITEM 2).
(POLARIZZAZIONE -A- COLORE NERO. COME INDICATO -COMPONENTE 2-.)

CODING TYPE -A- COLOUR BLACK, AS SHOWN (ITEM 1)
(POLARIZZAZIONE -A- COLORE NERO, COME INDICATO -COMPONENTE 1-)

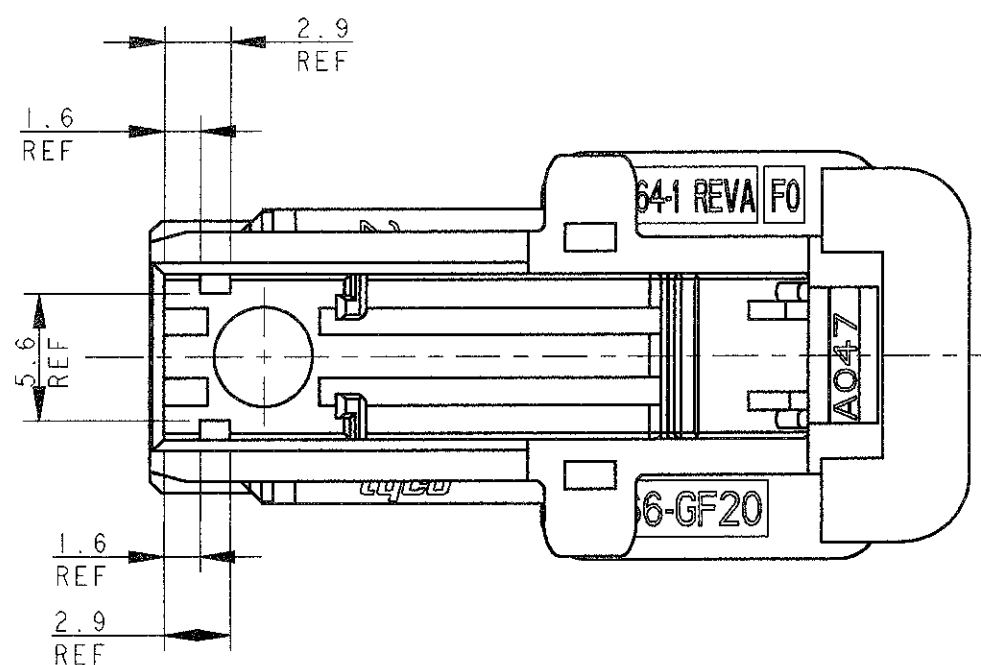


- 1) CAVITIES (ITEM 2) SUITABLE FOR MICRO QUADLOK SYSTEM RECEPTACLE CONTACT P/N 928999-... AND 963715-...
- 2) FOR POLARIZATION KEYS DIMENSIONS SEE SHEET 2 OF 3
- 3) FOR COUNTERPART DIMENSIONS SEE SHEET 3 OF 3
- 4 RELEVANT TO REC. CONTACT ONLY.
- 5) LEVER COLOUR: BLACK.
- 6) THE PRODUCT IS SUPPLIED WITH LEVER IN CLOSED POSITION.
- 7) No 1 COVER WITH LEVER + No 1 PLUG HOUSING ARE SUPPLIED IN KIT ACCORDING TO TABLE WITH EQUIVALENT NUMBER OF PIECES FOR EACH COMPONENT IN A BOX.

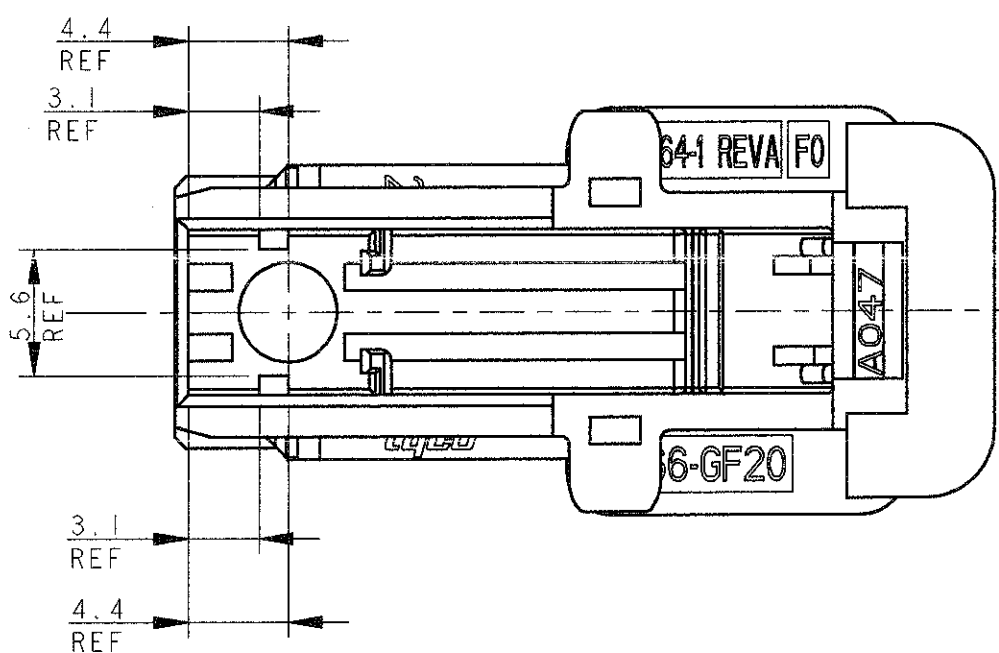
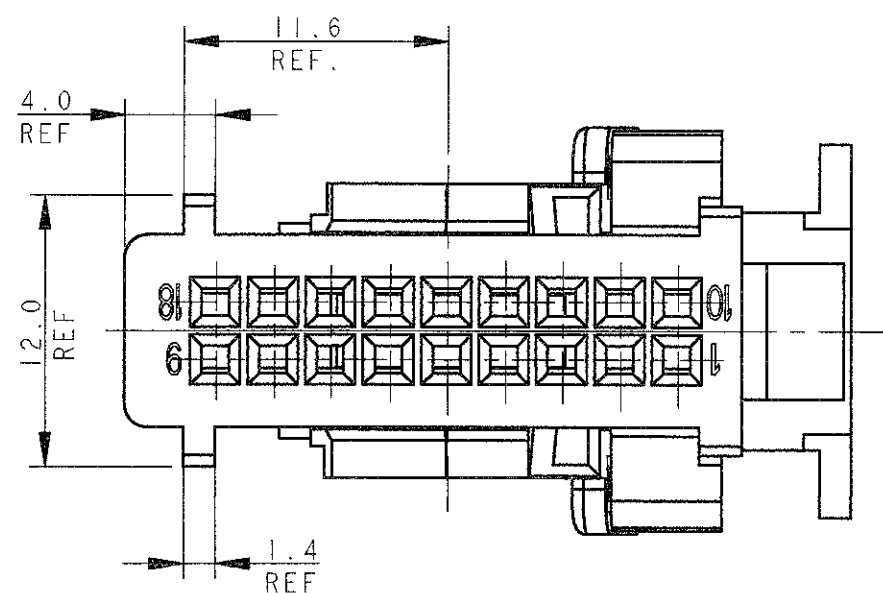
- 1) LE CAVITA' (COMPONENTE 2) SONO ADATTE PER CONTATTO FEMMINA MICRO QUADLOK SYSTEM P/N 928999-... E 963715-...
- 2) PER LE DIMENSIONI DELLE POLARIZZAZIONI VEDERE FOGLIO 2/3.
- 3) PER LE DIMENSIONI DELLA CONTROPARTE VEDERE FOGLIO 3/3.
- 4 RELATIVA SOLO AL CONTATTO FEMMINA.
- 5) LEVA IN COLORE NERO.
- 6) IL PRODOTTO VIENE FORNITO CON LEVA IN POSIZIONE CHIUSA.
- 7) No 1 CORAZZA CON LEVA + No 1 BLOCCHETTO SONO FORNITI IN KIT SECONDO TABELLA CON PARI NUMERO DI PEZZI PER SCATOLA.

1	2	3	4	COLOUR	RELEVANT TO REC. CONTACT ONLY	NOTES
				BLUE (BLU)	D	SEE NOTE 3) (VEDERE NOTA)
				BLUE (BLU)	D	SEE NOTE 3) (VEDERE NOTA)
				BROWN (MARRONE)	C	SEE NOTE 3) (VEDERE NOTA)
				BROWN (MARRONE)	C	SEE NOTE 3) (VEDERE NOTA)
				WHITE (BIANCO)	B	SEE NOTE 3) (VEDERE NOTA)
				WHITE (BIANCO)	B	SEE NOTE 3) (VEDERE NOTA)
				BLACK (NERO)	A	
				BLACK (NERO)	A	
-1	-2	-3	-4	COVER+LEVER -ITEM 1- (CORAZZA+LEVA -COMPONENTE 1)	PLUG HOUSING -ITEM 2- (BLOCCHETTO -COMPONENTE 2-)	POLAR. CODING (POLARIZZ.)
KIT P/Ns 284666-... (No KIT 284666-...)						NOTES (NOTE)

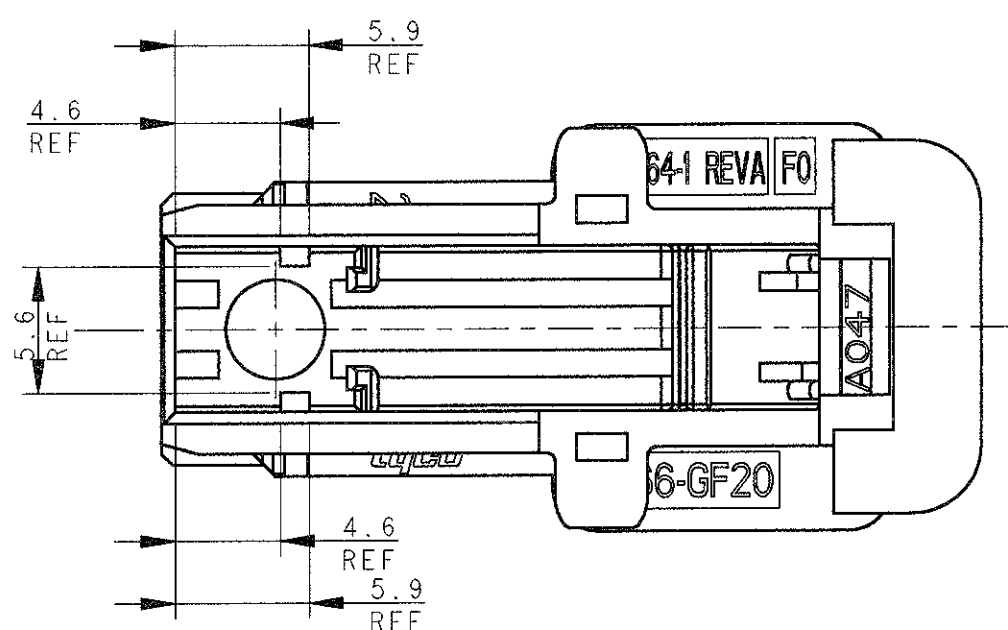
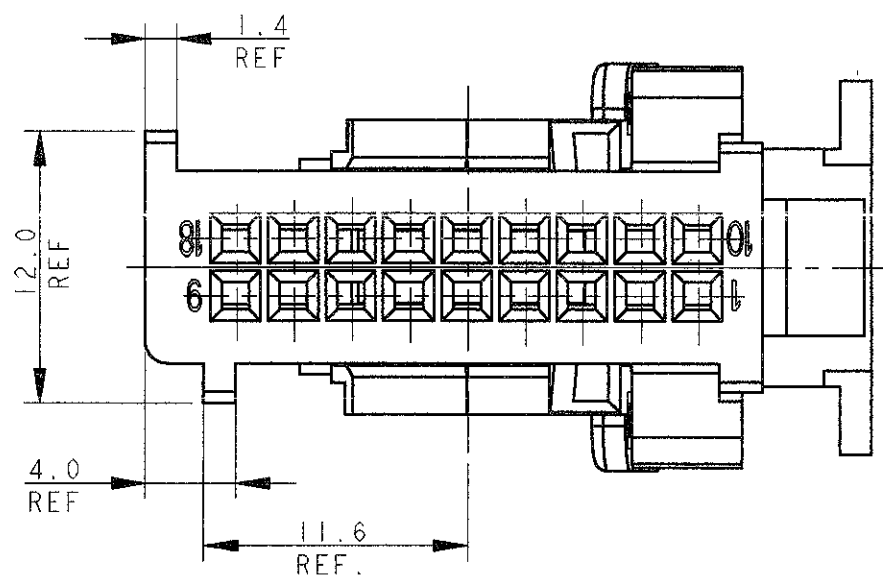
THIS DRAWING IS A CONTROLLED DOCUMENT FOR AMP INCORPORATED. IT IS SUBJECT TO CHANGE AND THE CONTROLLING ENGINEERING ORGANIZATION SHOULD BE CONTACTED FOR THE LATEST REVISION.		DWN 05JUL2000 M. PALMA CHK 05JUL2000 R. MARTINI APVD 05JUL2000 A. GENTA	AMP Italia S.p.A. C.so F.lli Cervi 15 Collegno (TO)
DIMENSIONS: mm	TOLERANCES UNLESS OTHERWISE SPECIFIED: 0 PLC ±0.5 1 PLC ±0.3 2 PLC ±0.3 3 PLC ±0.3 4 PLC ± ANGLES ±° FINISH -	PRODUCT SPEC 108-18030 APPLICATION SPEC 114-18021	AMP COVER + LEVER AND PLUG HSG KIT FOR 18 POSITIONS MICRO QUADLOK SYSTEM CONNECTOR
MATERIAL PA 66 GF FILLED	WEIGHT -	SIZE A2	CAGE CODE 00779 DRAWING NO C=284666
CUSTOMER DRAWING		SCALE 3:1	SHEET 1 OF 3 REV AI



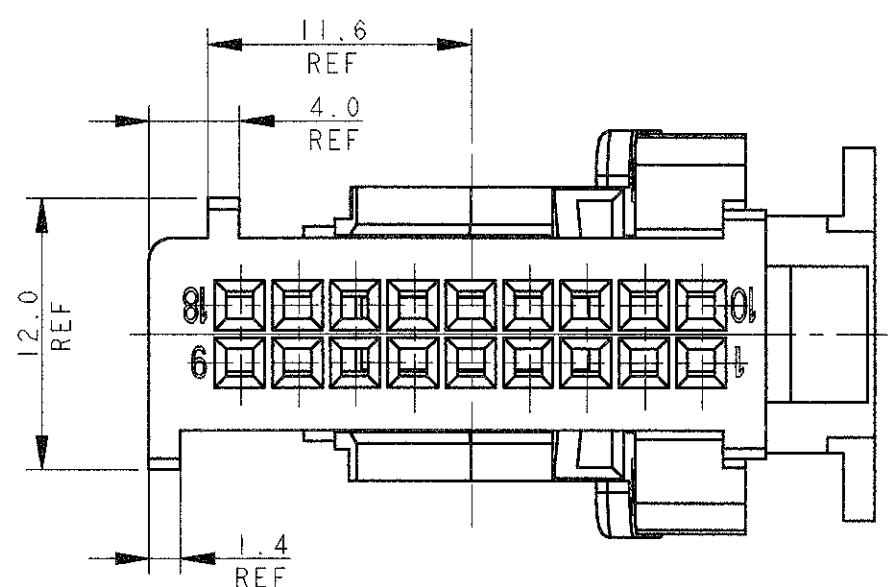
CODING TYPE -B- COLOUR WHITE, (ITEM 1)
 (POLARIZZAZIONE -B- COLORE BIANCO, -COMPONENTE 1-)



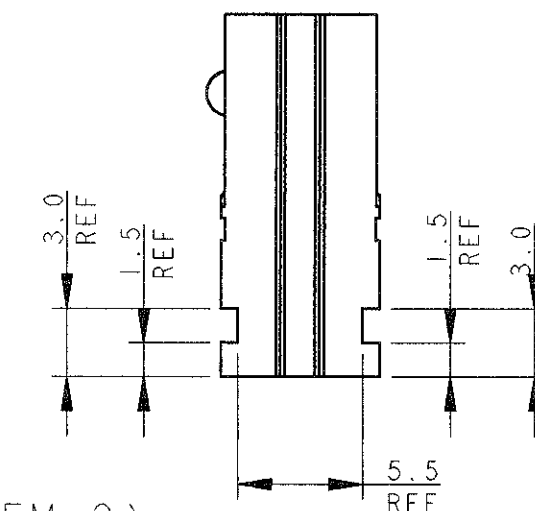
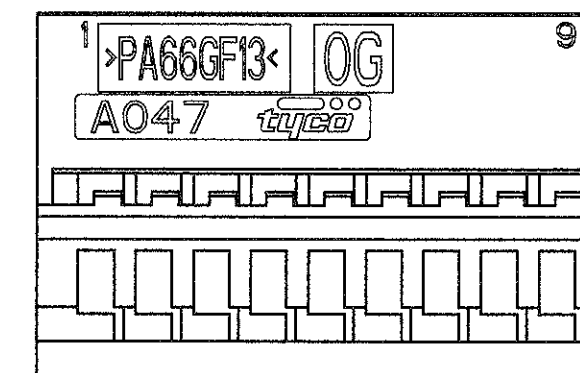
CODING TYPE -C- COLOUR BROWN, (ITEM 1)
 (POLARIZZAZIONE -C- COLORE MARRONE, -COMPONENTE 1-)



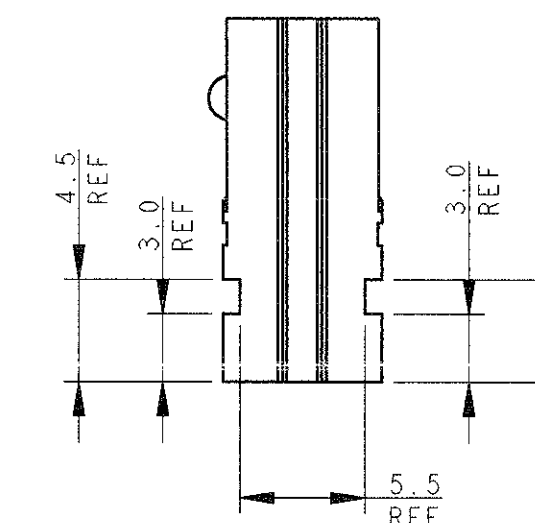
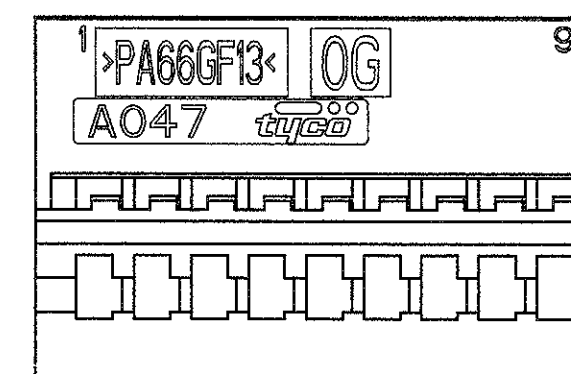
CODING TYPE -D- COLOUR BLUE, (ITEM 1)
 (POLARIZZAZIONE -D- COLORE BLU, -COMPONENTE 1-)



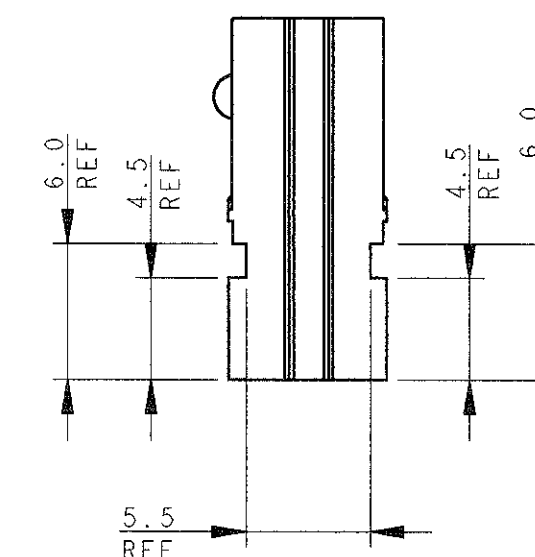
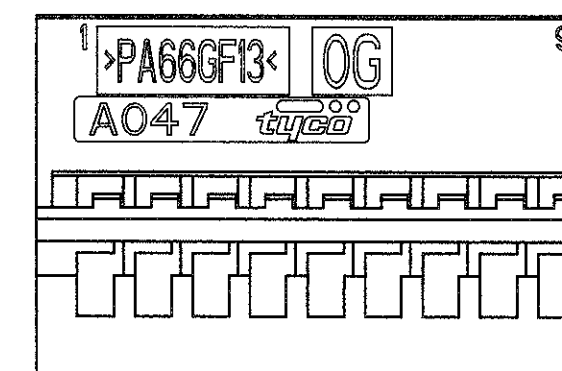
LOC		DIST		REVISIONS			
P	LTR	DESCRIPTION	DATE	DWN	APVD		
-	-	SEE SHEET 1	-	-	-		



CODING TYPE -B- COLOUR WHITE, (ITEM 2)
 (POLARIZZAZIONE -B- COLORE BIANCO, -COMPONENTE 2-)



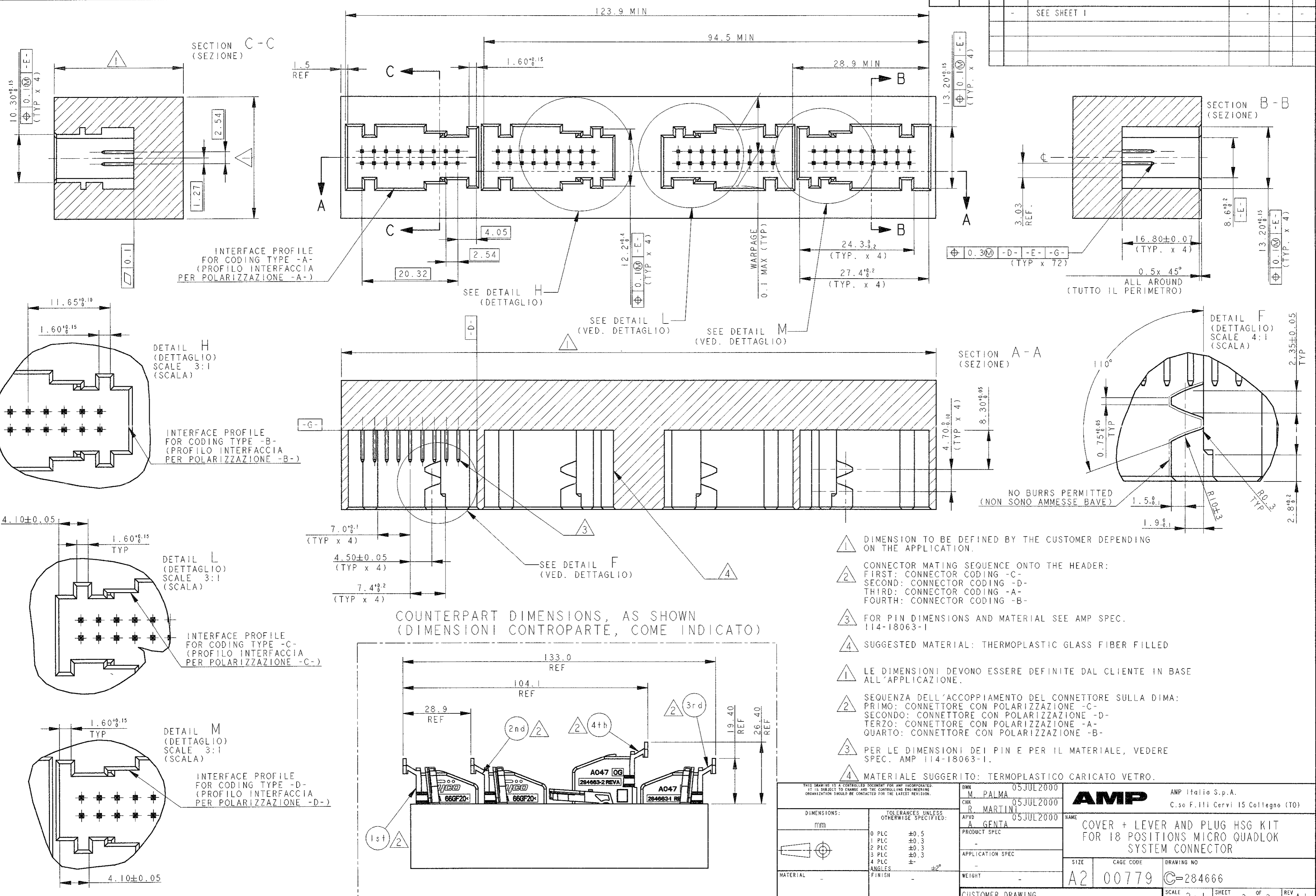
CODING TYPE -C- COLOUR BROWN, (ITEM 2)
 (POLARIZZAZIONE -C- COLORE MARRONE, -COMPONENTE 2-)



CODING TYPE -D- COLOUR BLUE, (ITEM 2)
 (POLARIZZAZIONE -D- COLORE BLU, -COMPONENTE 2-)

<small>THIS DRAWING IS A CONTROLLED DOCUMENT FOR AMP INCORPORATED. IT IS SUBJECT TO CHANGE AND THE CONTROLLING ENGINEERING ORGANIZATION SHOULD BE CONTACTED FOR THE LATEST REVISION.</small>		DWN M. PALMA 05JUL2000 CHK R. MARTINI 05JUL2000 APVD A. GENIA 05JUL2000	AMP AMP Italia S.p.A. C.so F.lli Cervi 15 Collegno (TO)
DIMENSIONS: mm.	TOLERANCES UNLESS OTHERWISE SPECIFIED: 0 PLC ±0.5 1 PLC ±0.3 2 PLC ±0.3 3 PLC ±0.3 4 PLC ± ANGLES ±° FINISH -	NAME COVER + LEVER AND PLUG HSG KIT FOR 18 POSITIONS MICRO QUADLOK SYSTEM CONNECTOR SIZE A2 CAGE CODE 00779 DRAWING NO. C=284666	
MATERIAL -	WEIGHT -	CUSTOMER DRAWING	SCALE 3:1 SHEET 2 OF 3 REV A1

REVISIONS				
P	LTR	DESCRIPTION	DATE	OWN
-	-	SEE SHEET 1	-	-



- 1 DIMENSION TO BE DEFINED BY THE CUSTOMER DEPENDING ON THE APPLICATION.
- 2 CONNECTOR MATING SEQUENCE ONTO THE HEADER:
FIRST: CONNECTOR CODING -C-
SECOND: CONNECTOR CODING -D-
THIRD: CONNECTOR CODING -A-
FOURTH: CONNECTOR CODING -B-
- 3 FOR PIN DIMENSIONS AND MATERIAL SEE AMP SPEC. 114-18063-1
- 4 SUGGESTED MATERIAL: THERMOPLASTIC GLASS FIBER FILLED
- 1 LE DIMENSIONI DEVONO ESSERE DEFINITE DAL CLIENTE IN BASE ALL'APPLICAZIONE.
- 2 SEQUENZA DELL'ACCOPIAMENTO DEL CONNETTORE SULLA DIMA:
PRIMO: CONNETTORE CON POLARIZZAZIONE -C-
SECONDO: CONNETTORE CON POLARIZZAZIONE -D-
TERZO: CONNETTORE CON POLARIZZAZIONE -A-
QUARTO: CONNETTORE CON POLARIZZAZIONE -B-
- 3 PER LE DIMENSIONI DEI PIN E PER IL MATERIALE, VEDERE SPEC. AMP 114-18063-1.
- 4 MATERIALE SUGGERITO: TERMOPLASTICO CARICATO VETRO.

<small>THIS DRAWING IS A CONTROLLED DOCUMENT FOR AMP INCORPORATED. IT IS SUBJECT TO CHANGE AND THE CONTROLLING ENGINEERING ORGANIZATION SHOULD BE CONTACTED FOR THE LATEST REVISION.</small>		DWN M. PALMA 05JUL2000 CHK R. MARTINI 05JUL2000 APVD A. GENTA 05JUL2000	AMP AMP Italia S.p.A. C.so F.lli Cervi 15 Collegno (TO)
DIMENSIONS: mm	TOLERANCES UNLESS OTHERWISE SPECIFIED: 0 PLC ±0.5 1 PLC ±0.3 2 PLC ±0.3 3 PLC ±0.3 4 PLC ± ANGLES ±° FINISH -	NAME COVER + LEVER AND PLUG HSG KIT FOR 18 POSITIONS MICRO QUADLOK SYSTEM CONNECTOR	SIZE A2
MATERIAL -	APPLICATION SPEC - WEIGHT -	CAGE CODE 00779	DRAWING NO C=284666
CUSTOMER DRAWING		SCALE 3:1	SHEET 3 OF 3