

Max. 80 m³/h

DC axial fans

□ 80 x 32 mm



- **Material:** Housing: GRP¹⁾ (PBT)
Impeller: GRP¹⁾ (PA)
- **Direction of air flow:** Exhaust over struts
- **Direction of rotation:** Clockwise,
looking towards rotor
- **Connection:** Via single wires AWG 22,
TR 64
- **Weight:** 170 g

- **Possible special versions:**
(See chapter DC fans - specials)
 - Speed signal
 - Go / NoGo alarm
 - Alarm with speed limit
 - External temperature sensor
 - Internal temperature sensor
 - PWM control input
 - Analog control input
 - Moisture protection
 - Salt spray protection
 - Degree of protection: IP 54 / IP 68

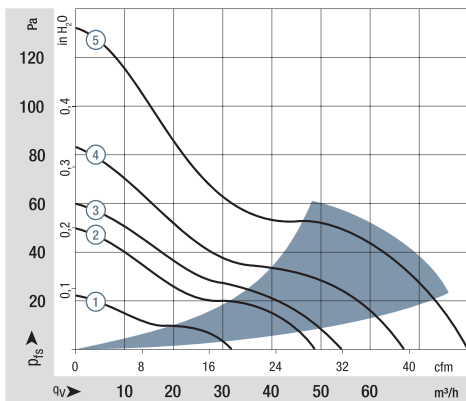
1) Fiberglass-reinforced plastic

Series 8300

Nominal data

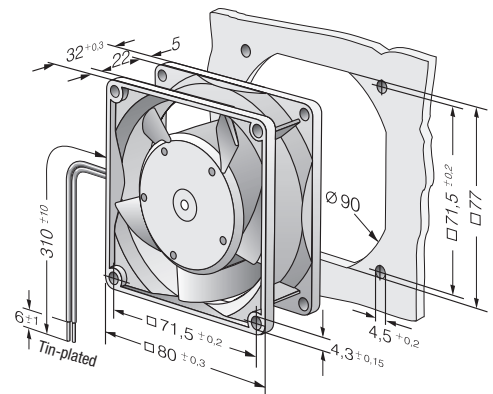
Type	Air flow		Nominal voltage		Voltage range		Sound pressure level	Sound power level	Sintec sleeve bearings Ball bearings	Power consumption	Nominal speed	Temperature range	Service life L ₁₀ (40 °C) ebm-papst standard	Service life L ₁₀ (T _{max}) ebm-papst standard	Life expectancy L ₁₀ (40 °C) see page 17	Curve
	m ³ /h	cfm	VDC	VDC	dB(A)	Bel(A)	□ / ■	Watts	rpm ⁻¹	°C	Hours	Hours				
8312 L	32	18.8	12	6...15	24	4.0	■	1.2	2 000	-20...+75	80 000 / 32 500	135 000	①			
8312 M	48	28.3	12	6...15	34	5.0	■	2.2	3 000	-20...+75	70 000 / 27 500	117 500	②			
8312	54	31.8	12	6...15	36	5.2	■	2.6	3 300	-20...+75	70 000 / 27 500	117 500	③			
8312 HL	67	39.4	12	6...15	43	5.8	■	4.0	4 200	-20...+75	62 500 / 25 000	105 000	④			
8312 H	80	47.1	12	6...12.6	48	6.2	■	6.4	5 000	-20...+60	55 000 / 35 000	92 500	⑤			
8314 L	32	18.8	24	12...31.5	24	4.0	■	1.0	2 000	-20...+75	80 000 / 32 500	135 000	①			
8314 M	48	28.3	24	12...31.5	34	5.0	■	2.3	3 000	-20...+75	70 000 / 27 500	117 500	②			
8314	54	31.8	24	12...31.5	36	5.2	■	2.7	3 300	-20...+75	70 000 / 27 500	117 500	③			
8314 HL	67	39.4	24	12...31.5	43	5.8	■	4.3	4 200	-20...+75	62 500 / 25 000	105 000	④			
8314 H	80	47.1	24	12...28	48	6.2	■	6.0	5 000	-20...+75	55 000 / 20 000	92 500	⑤			
8318	54	31.8	48	36...60	36	5.2	■	3.0	3 300	-20...+75	70 000 / 27 500	117 500	③			
8318 HL	67	39.4	48	36...60	43	5.8	■	4.2	4 200	-20...+75	62 500 / 25 000	105 000	④			
8318 H	80	47.1	48	36...60	48	6.2	■	6.2	5 000	-20...+65	55 000 / 30 000	92 500	⑤			

Subject to change

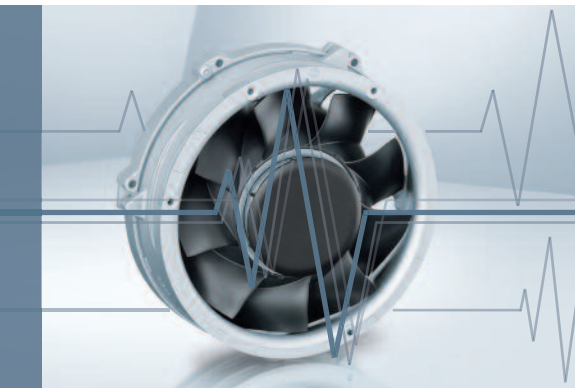


Air performance measured according to: ISO 5801.
Installation category A, without contact protection.
Noise: Total sound power level L_{WA} ISO 103002
measured on a hemisphere with a radius of 2 m.
Sound pressure level L_{pA} measured at 1 m distance
from fan axis.
The values given are applicable only under the specified
measuring conditions and may differ depending on the
installation conditions.
In the event of deviation from the standard configuration,
the parameters must be checked after installation!
For detailed information see
<http://www.ebmpapst.com/general conditions>

Rotor protrusion max. 0.4 mm.



Alarm signal /19



- Alarm signal for speed monitoring
- Signal output via open collector
- The fan emits a continuous low signal during trouble-free operation within the permissible voltage range.
- High signal when speed limit is not reached
- After elimination of the fault, the fan returns to its setpoint speed; the alarm signal reverts to low.

Alarm signal data	Alarm output voltage U_A Low	Condition:	Condition: $I_{sink} =$	Alarm output voltage U_A High	Condition:	Condition: I_{source}	Alarm operating voltage U_{BA} max.	Max. permissible sink current	Alarm startup delay time t_G	Condition:	Speed limit n_G	Fan description Basic type
Type	VDC		mA	VDC		mA	VDC	mA	s		min^{-1}	Page
8314/19 H	≤ 0.4	$n > n_G$	2	≤ 60	$n < n_G$	0	60	20	≤ 15	*	1500 ± 100	46
4312/19	≤ 0.4	$n > n_G$	2	≤ 60	$n < n_G$	0	60	20	≤ 15	*	1500 ± 100	56
7214 N/19	≤ 0.4	$n > n_G$	2	≤ 60	$n < n_G$	0	60	10	≤ 15	*	1800 ± 20	70
RLF 100-11/14/19	≤ 0.4	$n > n_G$	2	≤ 28	$n < n_G$	0	28	10	≤ 15	*	1900 ± 100	100
RER 101-36/18N/19 HH	≤ 0.4	$n > n_G$	2	≤ 28	$n < n_G$	0	28	10	≤ 15	*	1900 ± 100	111

Subject to change * After switching on U_B

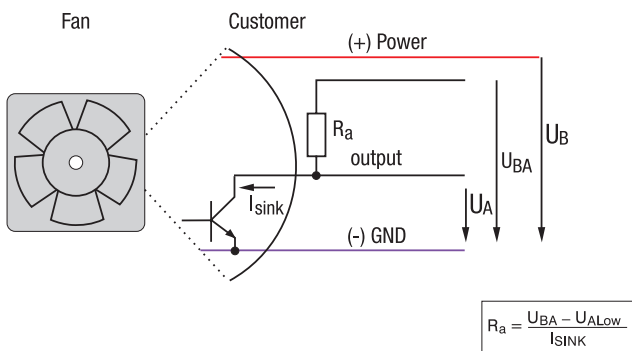
Note:

Fans that come with these fan specials could have variations with respect to the temperature range, voltage range, and power consumption compared to standard fans without specials.

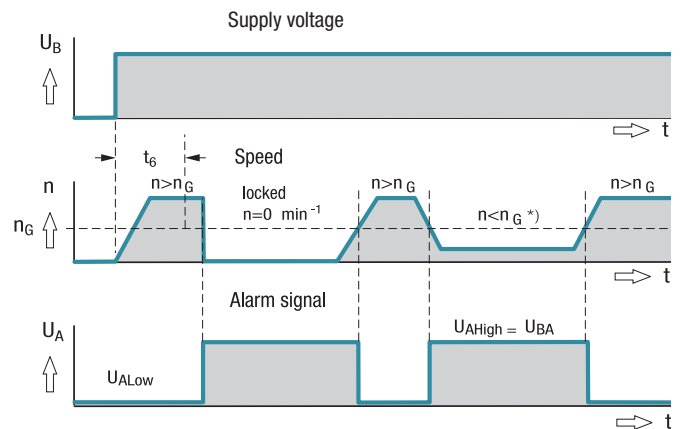
Available on request:

- Integrated signal storage for subsequent recognition of short-term faults (latch).
- Alarm circuit open collector or TTL.
- Electrically isolated for maximum device safety; Defects in the power circuit do not affect the alarm circuit.

Electrical hookup



All voltages measured to ground
External load resistor R_a from U_A to U_{BA} required.



t_G = Alarm signal suppression during startup.
* $n < n_G$ by braking or locking.