

NOTES: (b)

- METALSHELLS: STEEL; min. 315µm TIN over 40-80µm NICKEL
- INSULATORS: PBT GF UL 94 V-0, BLACK
- CONTACTS: COPPER ALLOY; PLATING (SEE PART NO.):
  - PLEASE ADD A for GOLD FLASH over NICKEL (PREFERRED TYPE)
  - PLEASE ADD B for 20µm HARD GOLD over min. 50µm NICKEL
  - PLEASE ADD C for 30µm HARD GOLD over min. 50µm NICKEL
- METAL BRACKET:
  - ZINC DIE CAST; 300µm COPPER/40-120µm NICKEL/120-200µm TIN
- THREADED INSERTS: COPPER ALLOY; min. 200µm TIN over 80µm NICKEL
- FIXING PLATE: PBT GF UL 94 V-0, BLACK
- P.C.B. HOLE DRILLINGS ON SHEET 2
- MAXIMUM TORQUE VALUE FOR THREAD: 6 in.LB
- CONNECTOR IS PART MARKET:  $164 \square 15629X$  CONEC ABC (see note 3)

RoHS compliant

THIS DRAWING MAY NOT BE COPIED OR REPRODUCED IN ANY WAY, AND MAY NOT BE PASSED ON TO A THIRD PARTY WITHOUT WRITTEN PERMISSION. OWNERSHIP AND COPYRIGHT OF CONEC GmbH

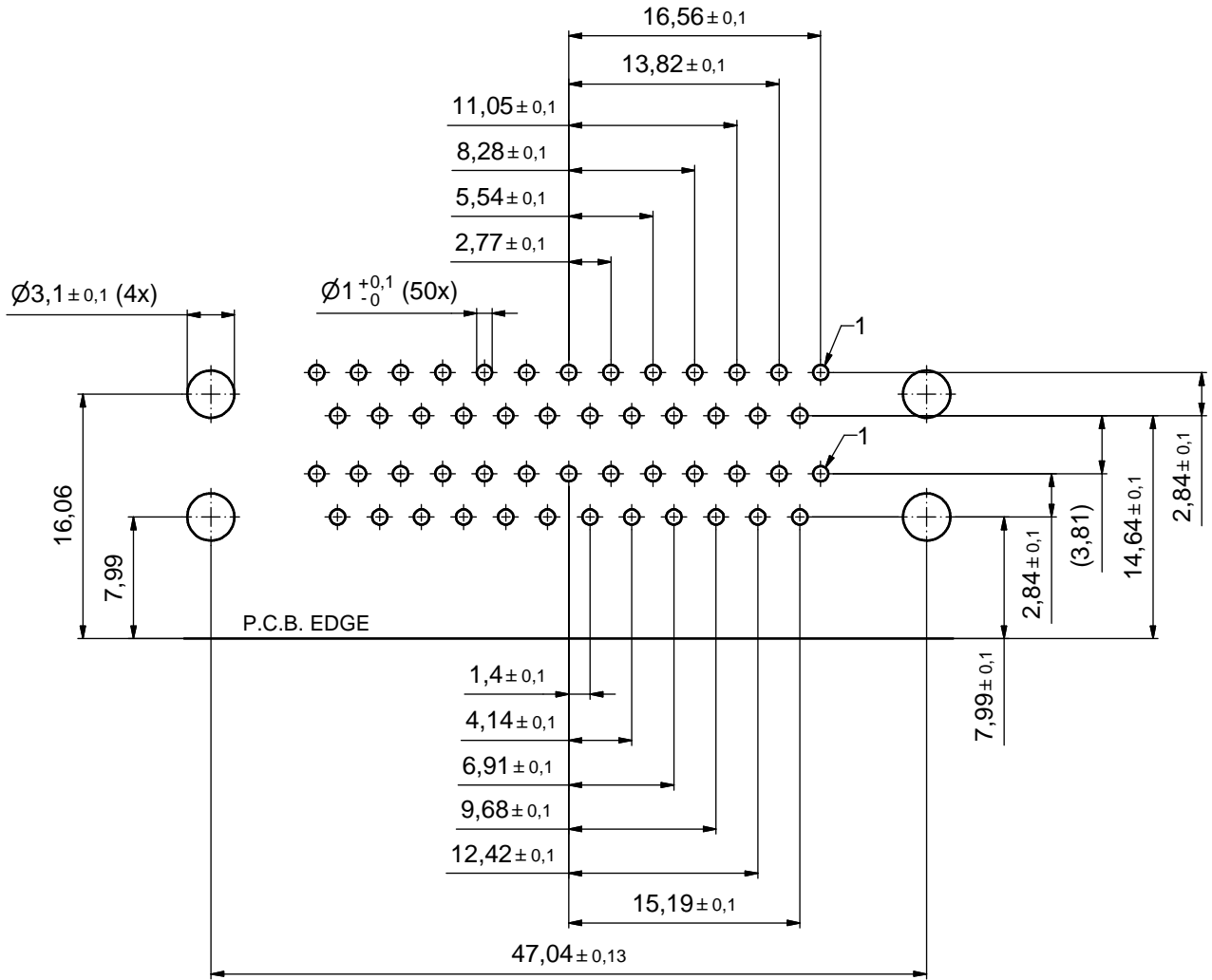
DO NOT ALTER CAD DRAWING BY HAND

tolerance				dim. in mm	
date	name	date	name		
drawn	30.06.11	Schmidt			
appd.	30.06.11	Fischer			
norm					
d-old					
1 x b	Ä 6022	02.03.2016	Unkriier		
a	Original				
rev.	description	date	name		

scale:	2:1
material:	see notes
title:	D-SUB DUAL PORT 15,88mm 25pos. FEMALE / 25pos. FEMALE threaded insert, metal bracket, fixing plate
dwg no:	16K1A2840
DIN-A3	sh: 1
part no:	164 $\square$ 15629X (see note 3)

**CONEC**

P.C.B. HOLE DRILLINGS  
(P.C.B. TOP SIDE)



THIS DRAWING MAY NOT BE COPIED OR REPRODUCED IN ANY WAY, AND MAY NOT BE PASSED ON TO A THIRD PARTY WITHOUT WRITTEN PERMISSION. OWNERSHIP AND COPYRIGHT OF CONEC GmbH DO NOT ALTER CAD DRAWING BY HAND				tolerance		dim. in mm	scale: 3:1		
							material: see sheet 1		
				date	name		title: <b>P.C.B. HOLE DRILLINGS</b> D-SUB DUAL PORT 15.88mm 25pos. Female / 25pos. Female		
				drawn	30.06.11	Schmidt			
				appd.	30.06.11	Fischer			
			norm				dwg no:		
			d-old				16K1A2840		
			rev.	description	date	name	part no: see sheet 1		
							DIN-A3		
							sh: 2		

