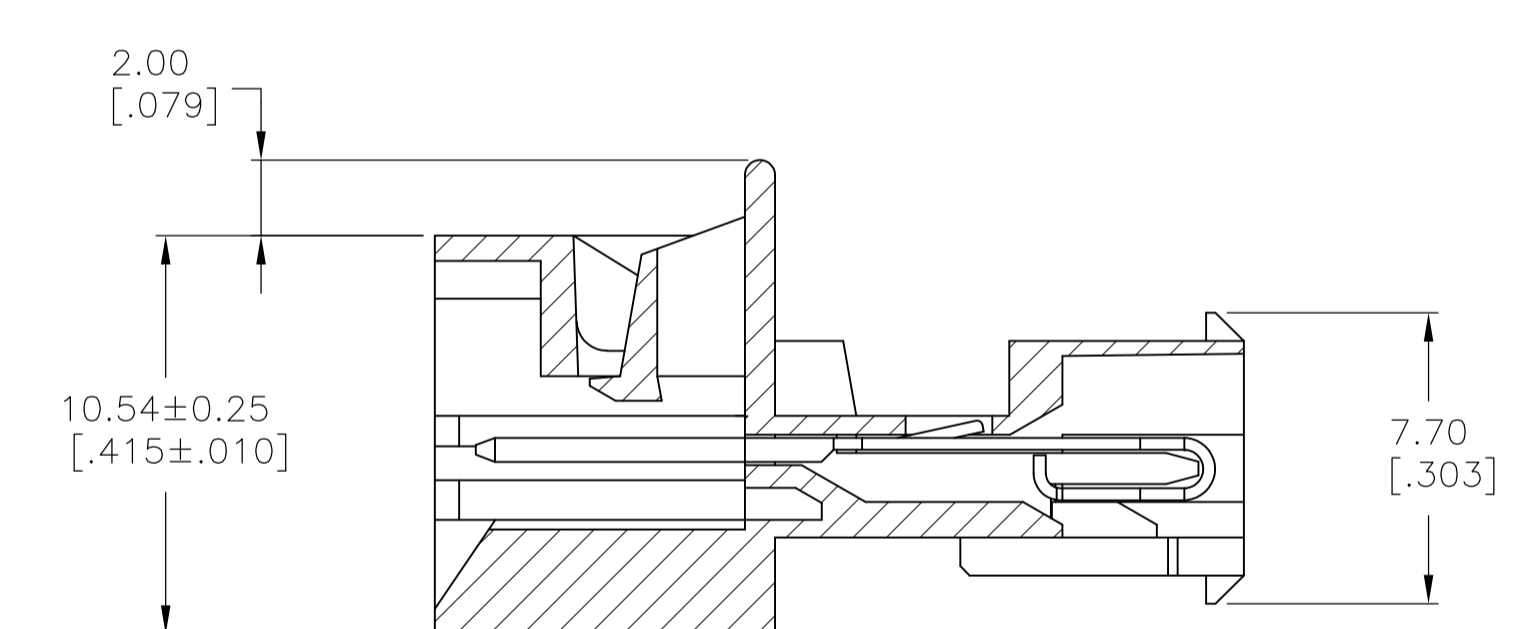
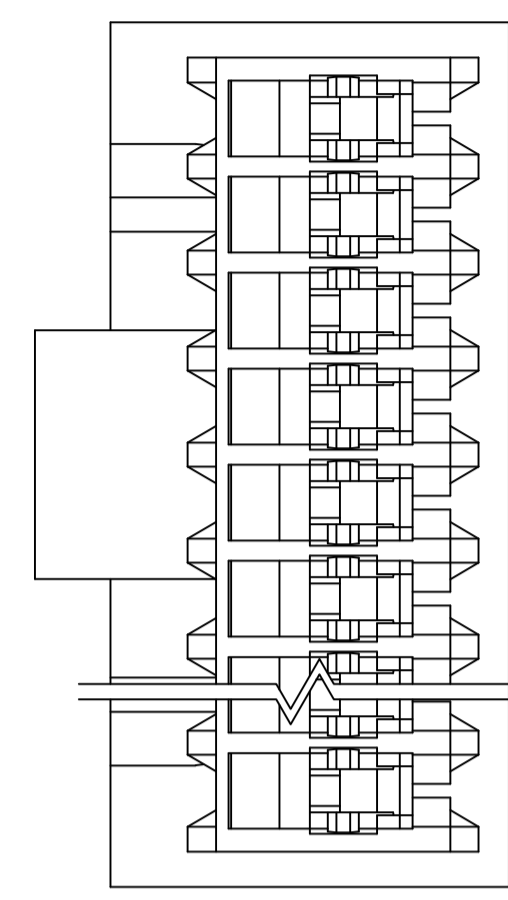
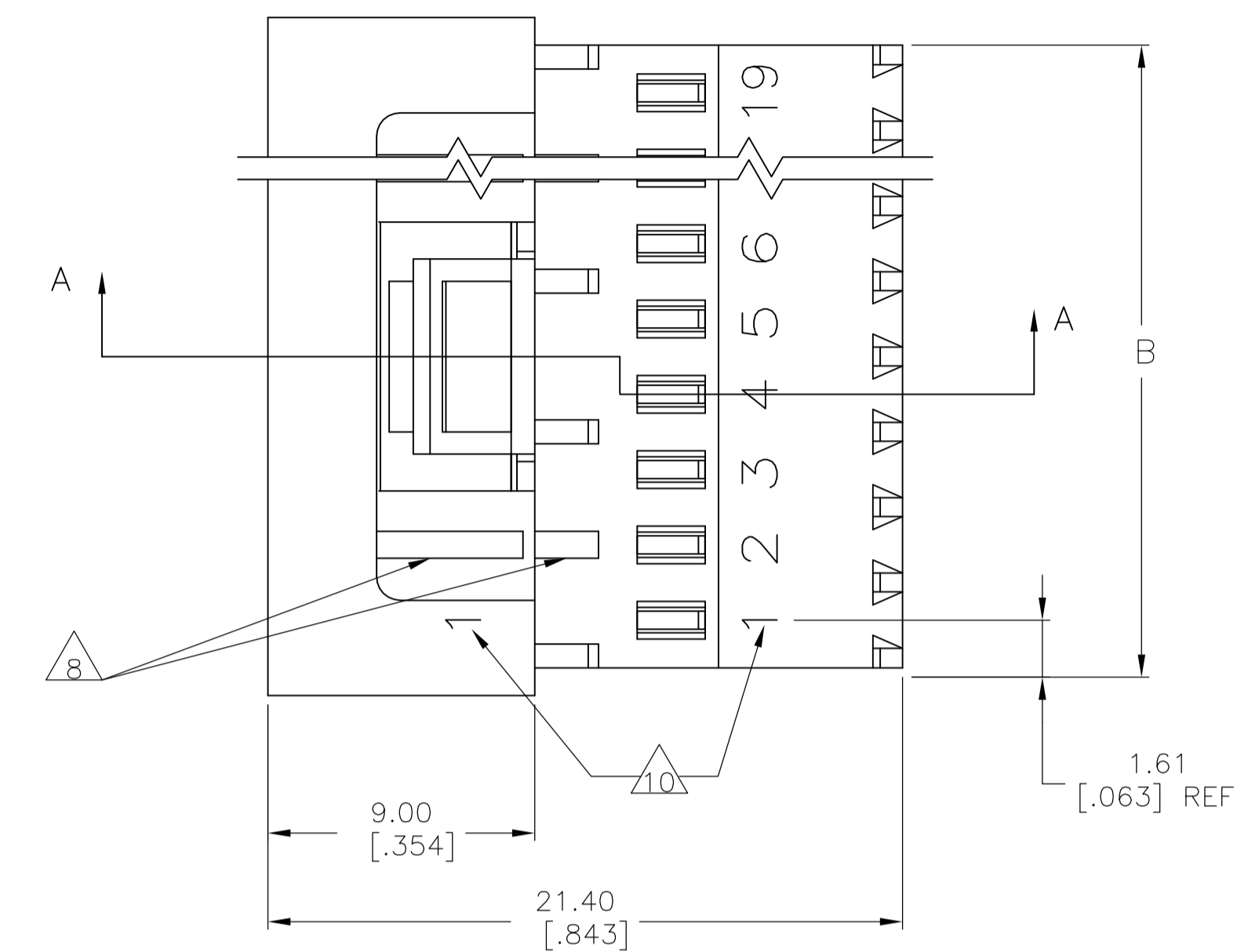
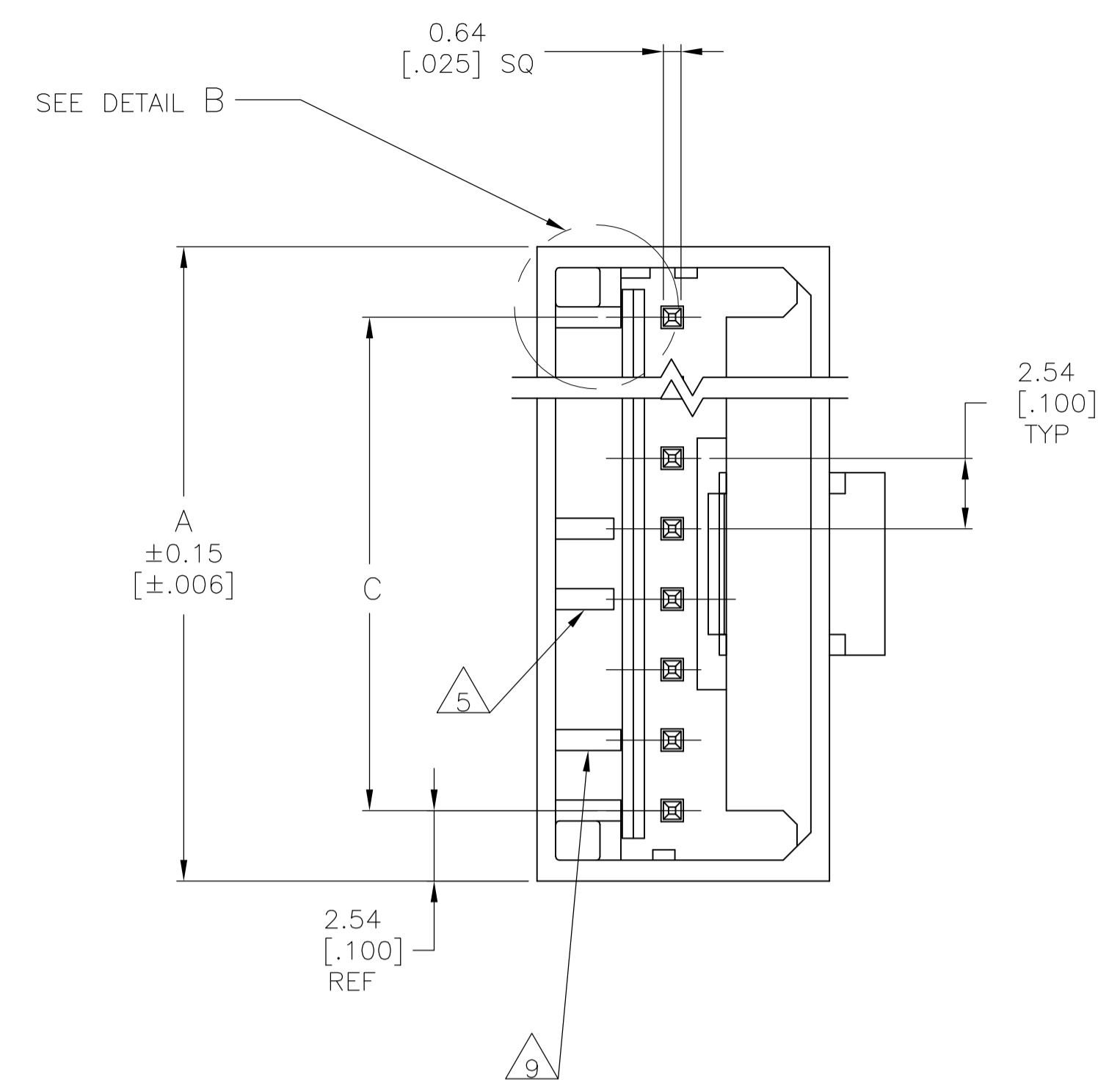
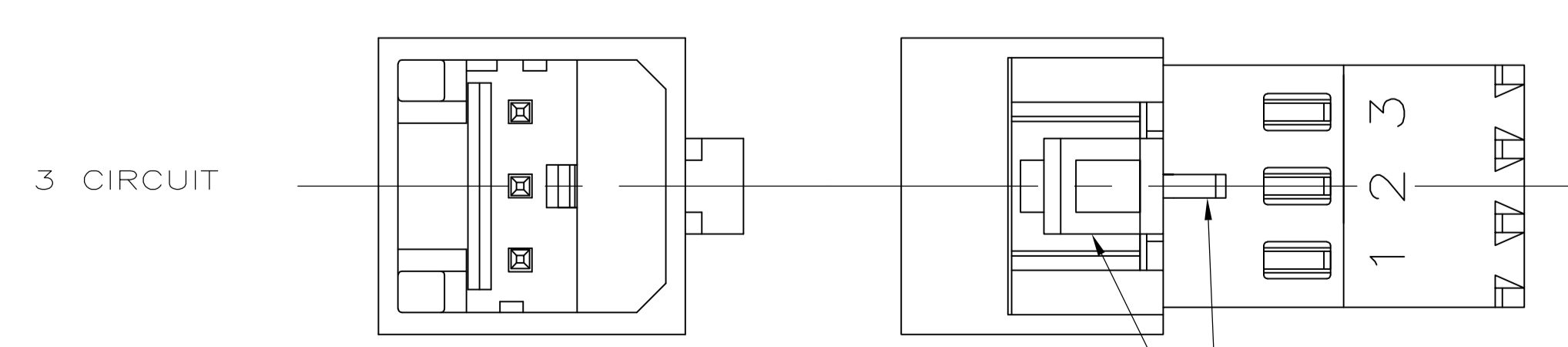
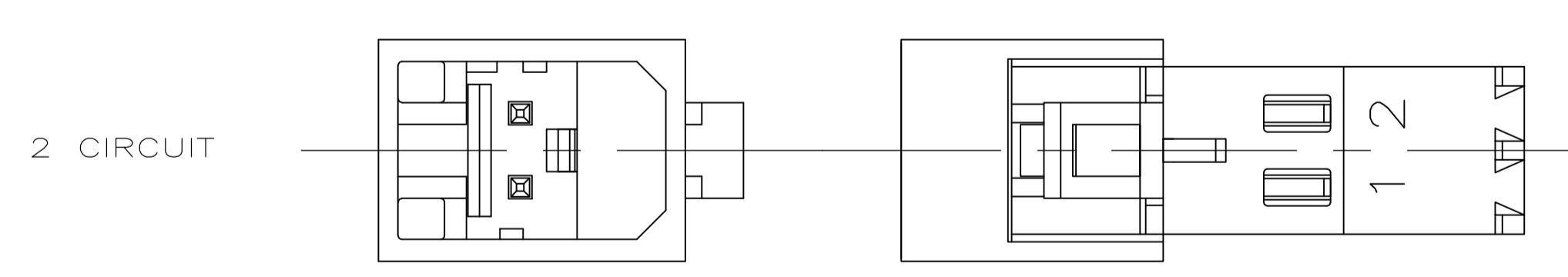


| LOC | | DIST | | REVISIONS | | | |
|-----|-------------|---------------|---------|-----------|------|-----|------|
| CM | 00 | REV | DATE | BY | APPV | REV | DATE |
| F | REVISED PER | ECO-12-007504 | 03AUG12 | KH | SM | | |



SECTION A-A



DETAIL A



DETAIL B
SCALE 10:1
ALTERNATE CONFIGURATION


- 1 MATERIAL:
HOUSING- NYLON UL94V-2.
CONTACTS- 0.30 [.012] THK COPPER ALLOY
DUAL PLATING : GOLD PLATE AREA, 0.00076 [.000030] GOLD OR 0.00008 [.000003] MIN GOLD FLASH OVER 0.00068 [.000027] PALLADIUM NICKEL, PER TE CONNECTIVITY'S DISCRETION, ALL SIDES, OVER NICKEL UNDERPLATE, .00127 [.000050] MIN, ALL SIDES AND ENTIRE LENGTH OF POST.
ONPOST, BRIGHT TIN-LEAD 0.00203[.000080] MIN THK 647010-2 THRU 1-647010-9 OR MATTE TIN 0.00203[.000080] MIN THK. FOR 3-647016-2 THRU 4-647010-9 ON WIRE SLOT, WITH NICKEL UNDERPLATE .00127[.000050] MIN THK ALL OVER.
- 2 CONTACTS ACCEPT 26 AWG (0.12 - 0.15 mm mm²) TIN PLATED SOLID, CONCENTRIC FUSED STRANDED, OR CONCENTRIC STRANDED (7 STRANDS) WIRE WITH 1.52 [.060] MAX INSULATION DIAMETER.
- 3 MATES WITH STANDARD MTA-100 CONNECTORS:
OF THE SAME CIRCUIT SIZES
WITH SIMILARLY PLATED CONTACTS
WITH POLARIZING TABS-CIRCUIT SIZES 4-19 ONLY
WITHOUT POLARIZING TABS-CIRCUIT SIZES 2 & 3.

DOES NOT MATE WITH MTA-100 CONNECTORS:
WITH POLARIZING TABS-CIRCUIT SIZES 2 & 3 ONLY.
(SEE DETAIL A)
WITH BLOCKED CIRCUITS -ALL CIRCUIT SIZES.
NOT RECOMMENDED FOR MATING WITH MTA-100 CONNECTOR WITHOUT POLARIZING TABS.
CIRCUIT SIZES 4-19.
- 4 ACCESSORIES:
REPLACEMENT IDC CONTACTS: 647030-2.
COVERS: SEE TABLE
- 5 QUANTITY OF CENTRALLY POSITIONED RAILS VARIES WITH CIRCUIT SIZE. (SEE TABLE)
LOCATION MAY DIFFER FROM EXAMPLE SHOWN.
- 6 DIMENSIONS IN BRACKETS ARE IN INCHES.
- 7 SIMILAR SIZED LOCK AND SINGLE TAB USED OR CIRCUITS 4 & 5.
- 8 QUANTITY OF GUSSET RIBS VARIES WITH CIRCUIT SIZE (SEE TABLE).
LOCATION MAY DIFFER FROM EXAMPLE SHOWN.
- 9 INNER END RAIL PAIR NOT PRESENT FOR CIRCUIT SIZES 2 OR 3.
- 10 CIRCUIT ID MAY APPEAR FULLY NUMBERED OR SHOWING LOCATION 1 ONLY DEPENDING ON CIRCUIT SIZE.
- 11 OBSOLETE PARTS: OBSOLETE CIS STREAMLINING PER D.RENAUD/D.SINISI
- 12 BLUE COLOR STRIPE ON HOUSING (NOT SHOWN) MAY RUN DOWN BETWEEN RIBS.

| | | | | |
|--|--------|---------------|---|-----------|
| THIS DRAWING IS A CONTROLLED DOCUMENT. | | DIN 30-98 | TE Connectivity | |
| DIMENSIONS: mm [INCHES] | | 0.125 [0.005] | MTA-100 POSTED CONNECTOR ASSEMBLY, CLOSED END, 26 AWG | |
| TOLERANCES UNLESS OTHERWISE SPECIFIED: | | ± .001 | APPROVED: J. ELLIS | |
| 0.125 [0.005] | ± .001 | ± .001 | NAME | |
| 0.125 [0.005] | ± .001 | ± .001 | PRODUCT SPEC | |
| 0.125 [0.005] | ± .001 | ± .001 | APPLICATION SPEC | |
| 0.125 [0.005] | ± .001 | ± .001 | RESTRICTED TO | |
| MATERIAL | FINISH | WEIGHT | SIZE | CAGE CODE |
| 1 | 1 | — | A1 | 00779 |
| CUSTOMER DRAWING | | SCALE | SHEET | REV |
| | | 5:1 | 1 OF 2 | F |

| QTY OF GUSSET RIBS | QTY OF CENTRAL RAILS | MM | IN | MM | IN | MM | IN | NO. OF CIRCUITS | PART NO |
|--------------------|----------------------|-------------|-------|-------|-------|-------|-------|-----------------|------------|
| 4 | 2 | 45.72 | 1.800 | 48.95 | 1.927 | 50.80 | 2.000 | 19 | 4-647010-9 |
| 4 | 2 | 43.18 | 1.700 | 46.41 | 1.827 | 48.26 | 1.900 | 18 | 4-647010-8 |
| 4 | 2 | 40.64 | 1.600 | 43.86 | 1.727 | 45.72 | 1.800 | 17 | 4-647010-7 |
| 4 | 2 | 38.10 | 1.500 | 41.32 | 1.627 | 43.18 | 1.700 | 16 | 4-647010-6 |
| 4 | 2 | 35.56 | 1.400 | 38.78 | 1.527 | 40.64 | 1.600 | 15 | 4-647010-5 |
| 4 | 2 | 33.02 | 1.300 | 36.24 | 1.427 | 38.10 | 1.500 | 14 | 4-647010-4 |
| 4 | 2 | 30.48 | 1.200 | 33.70 | 1.327 | 35.56 | 1.400 | 13 | 4-647010-3 |
| 2 | 1 | 27.94 | 1.100 | 31.16 | 1.227 | 33.02 | 1.300 | 12 | 4-647010-2 |
| 2 | 1 | 25.40 | 1.000 | 28.62 | 1.127 | 30.48 | 1.200 | 11 | 4-647010-1 |
| 2 | 1 | 22.86 | .900 | 26.08 | 1.027 | 27.94 | 1.100 | 10 | 4-647010-0 |
| 2 | 1 | 20.32 | .800 | 23.54 | .927 | 25.40 | 1.000 | 9 | 3-647010-9 |
| 2 | 0 | 17.78 | .700 | 21.00 | .827 | 22.86 | .900 | 8 | 3-647010-8 |
| 0 | 0 | 15.24 | .600 | 18.46 | .727 | 20.32 | .800 | 7 | 3-647010-7 |
| 0 | 0 | 12.70 | .500 | 15.92 | .627 | 17.78 | .700 | 6 | 3-647010-6 |
| 0 | 0 | 10.16 | .400 | 13.38 | .527 | 15.24 | .600 | 5 | 3-647010-5 |
| 0 | 0 | 7.62 | .300 | 10.84 | .427 | 12.70 | .500 | 4 | 3-647010-4 |
| 0 | 0 | 5.08 | .200 | 8.30 | .327 | 10.16 | .400 | 3 | 3-647010-3 |
| 0 | 0 | 2.54 | .100 | 5.76 | .227 | 7.62 | .300 | 2 | 3-647010-2 |
| 4 | 2 | 45.72 | 1.800 | 48.95 | 1.927 | 50.80 | 2.000 | 19 | 1-647010-9 |
| 4 | 2 | 43.18 | 1.700 | 46.41 | 1.827 | 48.26 | 1.900 | 18 | 1-647010-8 |
| 4 | 2 | 40.64 | 1.600 | 43.86 | 1.727 | 45.72 | 1.800 | 17 | 1-647010-7 |
| 4 | 2 | 38.10 | 1.500 | 41.32 | 1.627 | 43.18 | 1.700 | 16 | 1-647010-6 |
| 4 | 2 | 35.56 | 1.400 | 38.78 | 1.527 | 40.64 | 1.600 | 15 | 1-647010-5 |
| 4 | 2 | 33.02 | 1.300 | 36.24 | 1.427 | 38.10 | 1.500 | 14 | 1-647010-4 |
| 4 | 2 | 30.48 | 1.200 | 33.70 | 1.327 | 35.56 | 1.400 | 13 | 1-647010-3 |
| 2 | 1 | 27.94 | 1.100 | 31.16 | 1.227 | 33.02 | 1.300 | 12 | 1-647010-2 |
| 2 | 1 | 25.40 | 1.000 | 28.62 | 1.127 | 30.48 | 1.200 | 11 | 1-647010-1 |
| 2 | 1 | 22.86 | .900 | 26.08 | 1.027 | 27.94 | 1.100 | 10 | 1-647010-0 |
| 2 | 1 | 20.32 | .800 | 23.54 | .927 | 25.40 | 1.000 | 9 | 647010-9 |
| 2 | 0 | 17.78 | .700 | 21.00 | .827 | 22.86 | .900 | 8 | 647010-8 |
| 0 | 0 | 15.24 | .600 | 18.46 | .727 | 20.32 | .800 | 7 | 647010-7 |
| 0 | 0 | 12.70 | .500 | 15.92 | .627 | 17.78 | .700 | 6 | 647010-6 |
| 0 | 0 | 10.16 | .400 | 13.38 | .527 | 15.24 | .600 | 5 | 647010-5 |
| 0 | 0 | 7.62 | .300 | 10.84 | .427 | 12.70 | .500 | 4 | 647010-4 |
| 0 | 0 | 5.08 | .200 | 8.30 | .327 | 10.16 | .400 | 3 | 647010-3 |
| 0 | 0 | 2.54 | .100 | 5.76 | .227 | 7.62 | .300 | 2 | 647010-2 |
| | | MM | IN | MM | IN | MM | IN | | |
| | | C | | B | | A | | | |
| | | ACCESSORIES | | | | | | | |

SUPERCEDED

 SUPERCEDED


| | | | |
|--|------------|---------------------|--|
| THIS DRAWING IS A CONTROLLED DOCUMENT. | | DIN B LEWIS 30-98 |  TE Connectivity MTA-100 POSTED CONNECTOR ASSEMBLY, CLOSED END, 26 AWG |
| DIMENSIONS: mm [INCHES] | | CIK R SWING 30-98 | |
| TOLERANCES UNLESS OTHERWISE SPECIFIED: | | APVD J. ELLIS 30-98 | NAME |
| 0 PLC ± - | 1 PLC ± - | 2 PLC ± - | 3 PLC ± - |
| 4 PLC ± - | ANGLES ± - | APPLICATION SPEC | |
| MATERIAL | FINISH | WEIGHT | SIZE CASE CODE DRAWING NO |
| | | | A1 00779 C=647010 |
| CUSTOMER DRAWING | | SCALE 1:1 | SHEET 2 OF 2 REV F |