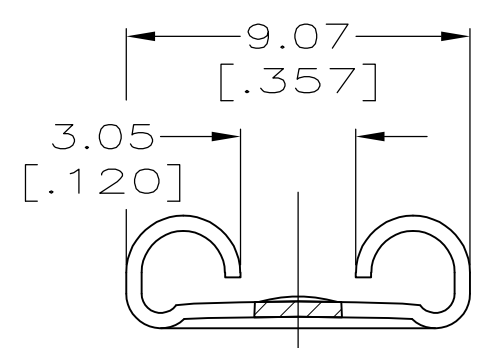
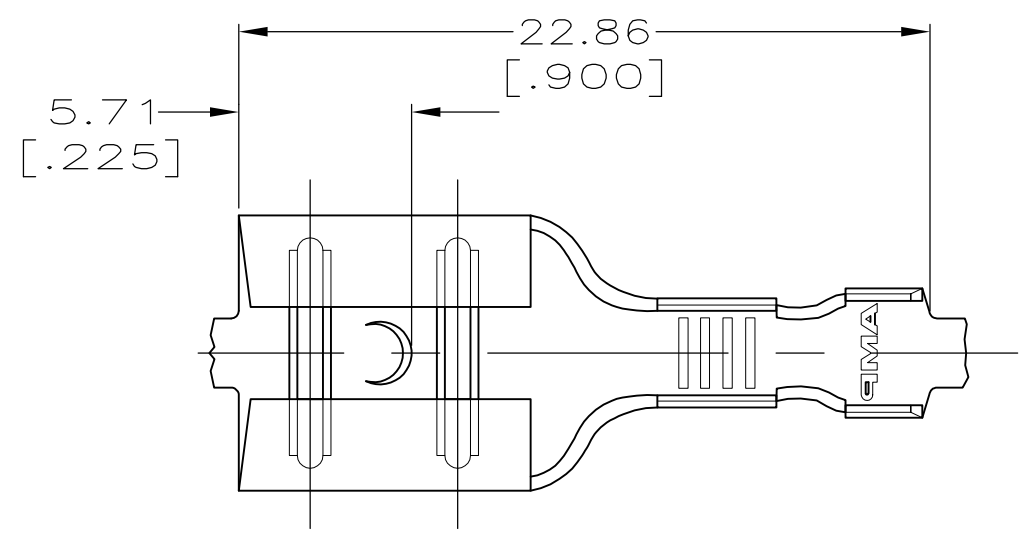


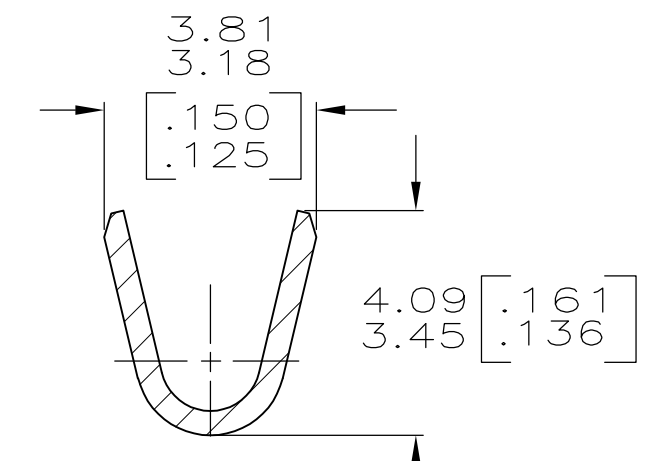
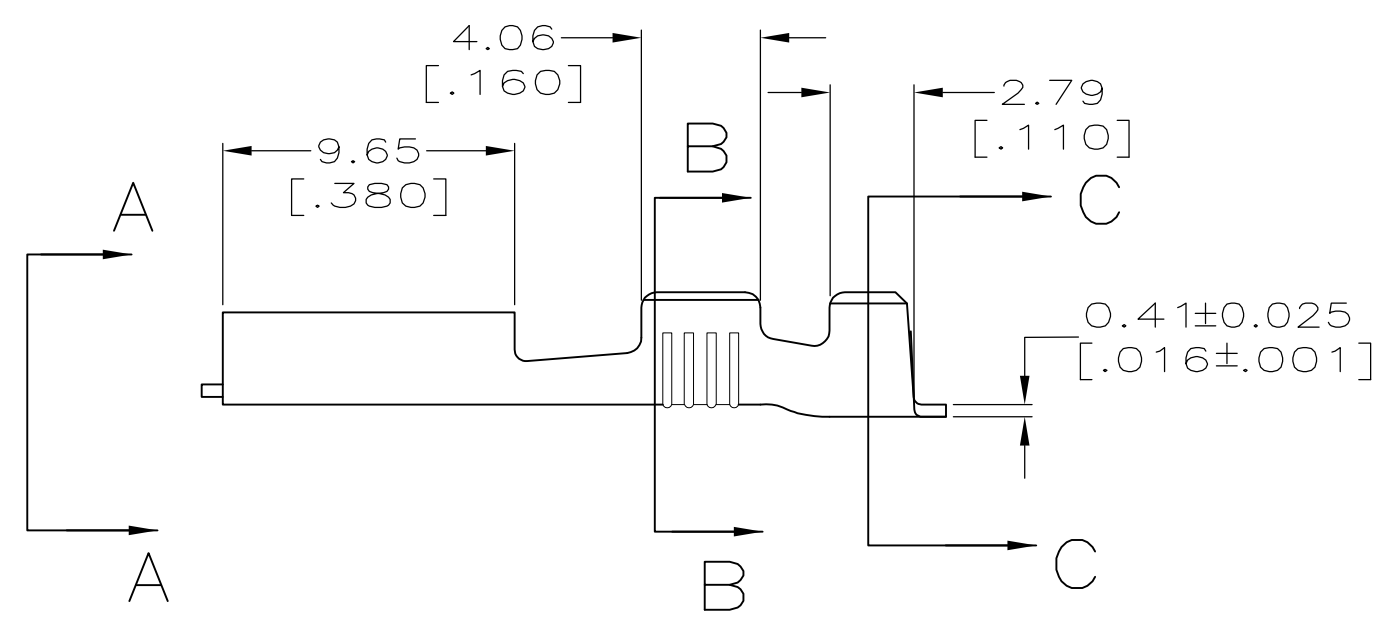
THIS DRAWING IS UNPUBLISHED. RELEASED FOR PUBLICATION
 © COPYRIGHT - By - ALL RIGHTS RESERVED.

LOC	DIST	REVISIONS					
AF	50	P	LTR	DESCRIPTION	DATE	DWN	APVD
		C		REVISED PER ECR-12-013459	28NOV2012	KH	PD

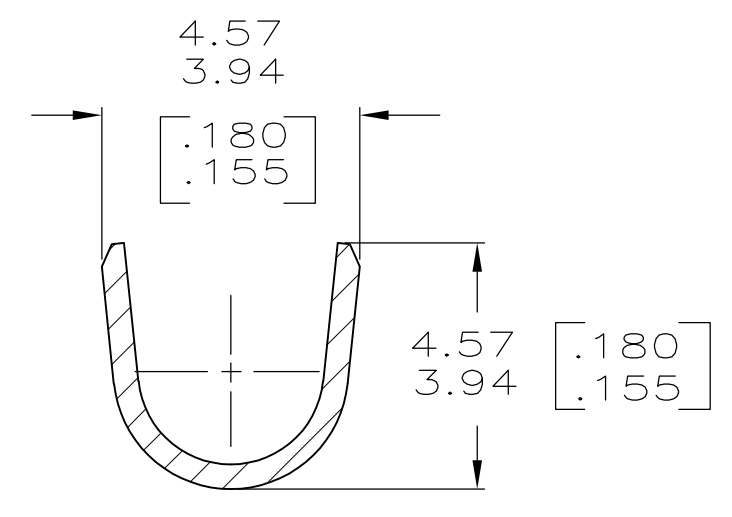


VIEW A-A
SCALE 5:1

1 CONTINUOUS STRIP ON REELS



SECTION B-B
SCALE 8:1



SECTION C-C
SCALE 8:1

2.29-3.30 [.090-.130] DIA	[#18-#14] AWG	0.81±0.025 [.032±.001]	62092-1
INSULATION RANGE	WIRE SIZE	MATING TAB THICKNESS	PART NO

THIS DRAWING IS A CONTROLLED DOCUMENT.		DWN	JR RUTH	2/11/97	TE Connectivity				
DIMENSIONS: mm [INCHES]		CHK	MS FEHER	2/11/97				RECEPTACLE, FASTON, 7.92 [.312] SERIES	
		APVD	P DESANTIS	2/11/97					
		TOLERANCES UNLESS OTHERWISE SPECIFIED:			NAME	SIZE CAGE CODE DRAWING NO RESTRICTED TO			
0 PLC ± - 1 PLC ± - 2 PLC ± - 3 PLC ± 0.38 [.015] 4 PLC ± - ANGLES ± -		PRODUCT SPEC			114-2036		A3 00779 C-62092		
MATERIAL		FINISH			WEIGHT -				
BRASS		-			CUSTOMER DRAWING		SCALE 4:1 SHEET 1 OF 1 REV C		