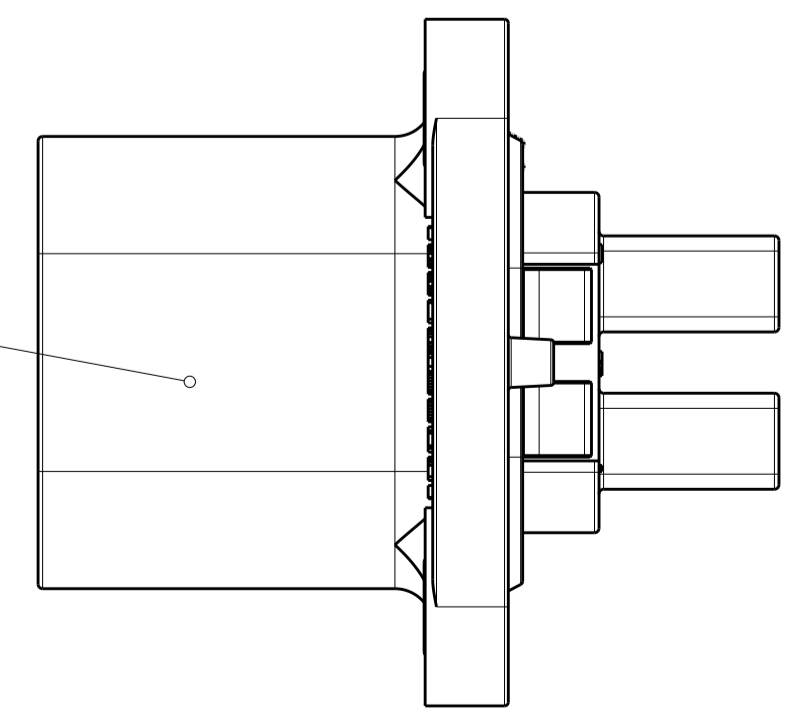
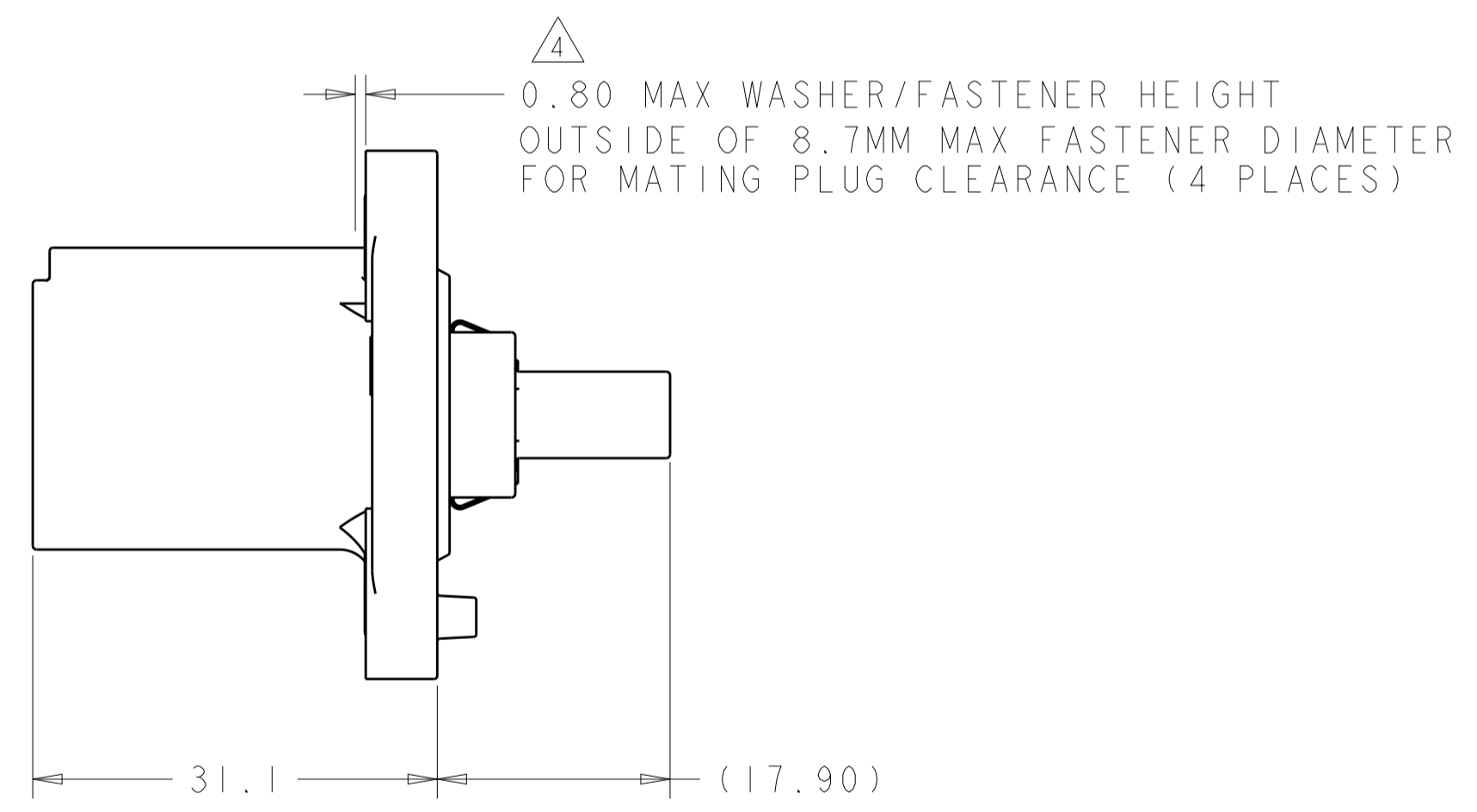
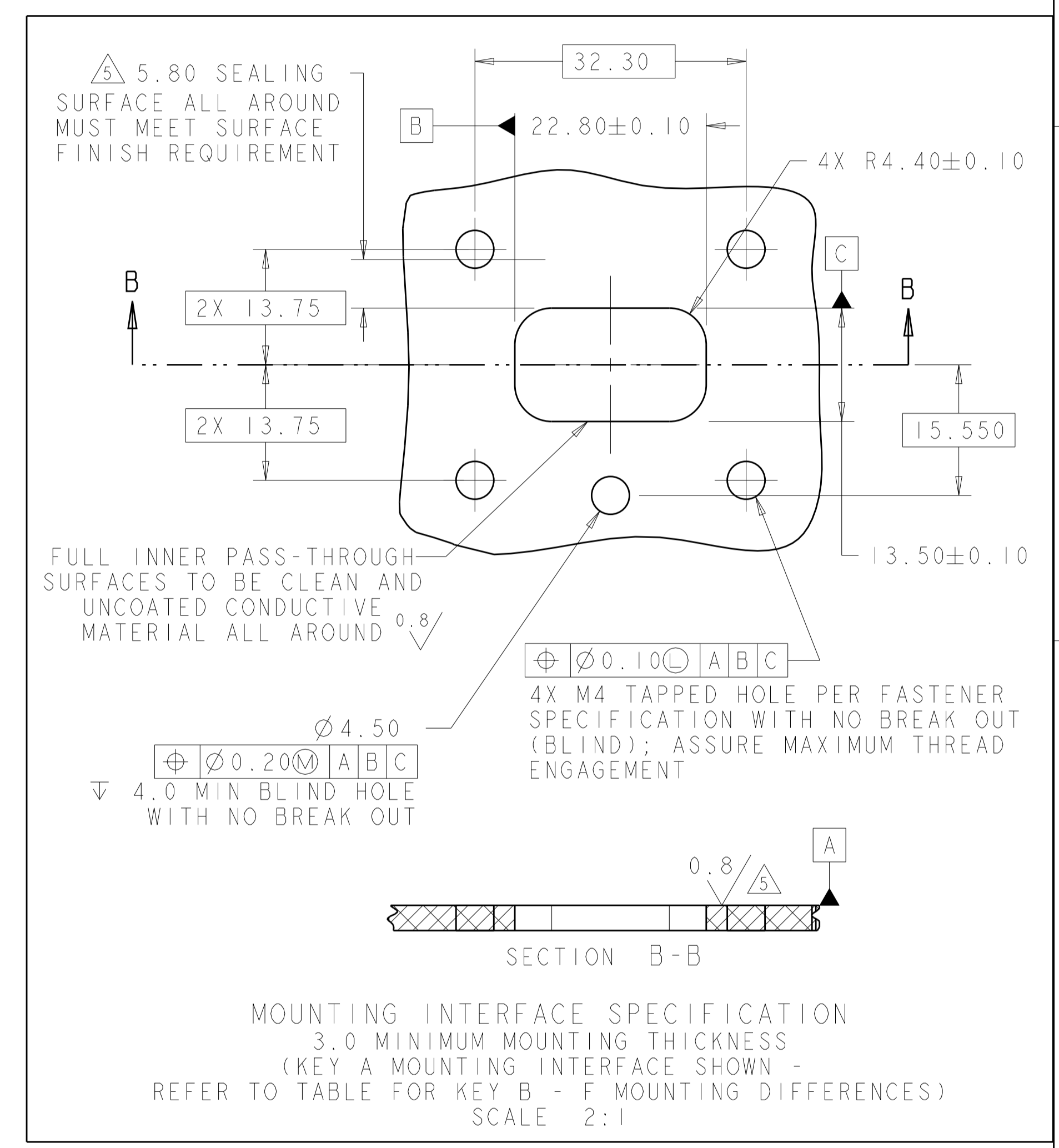
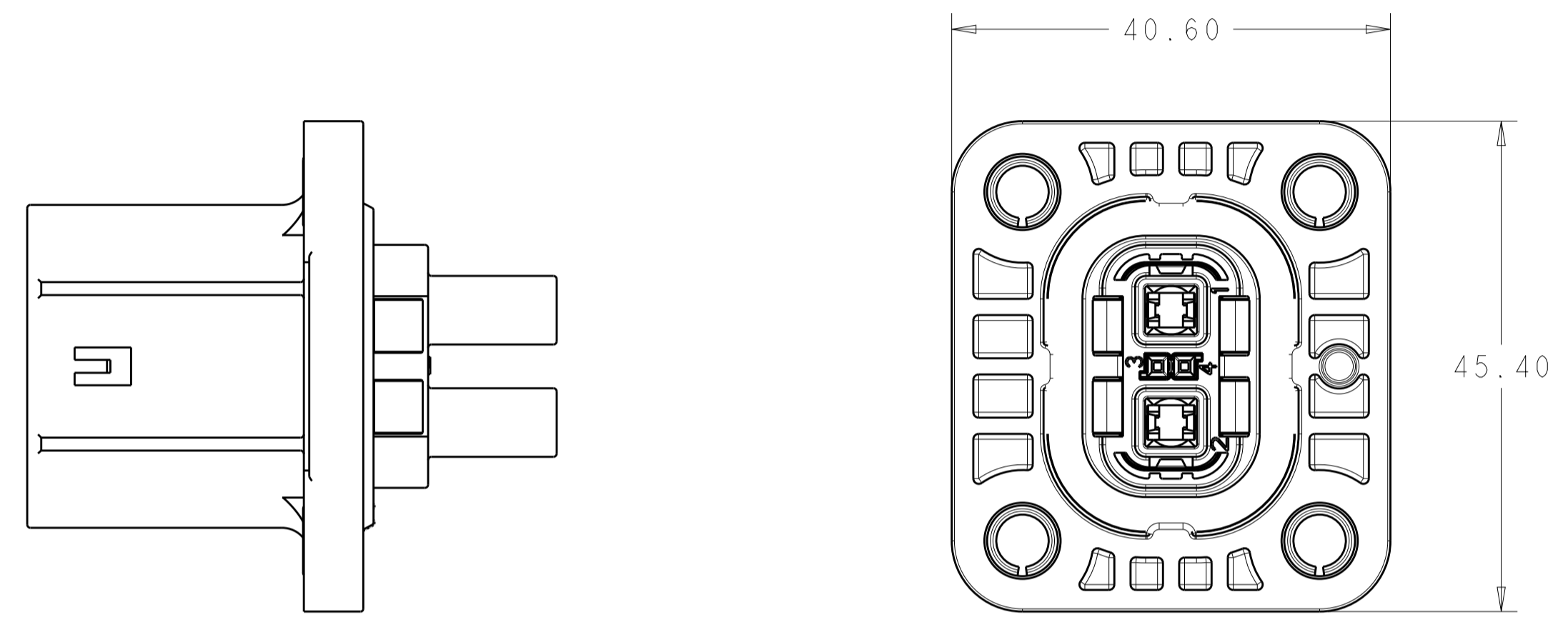
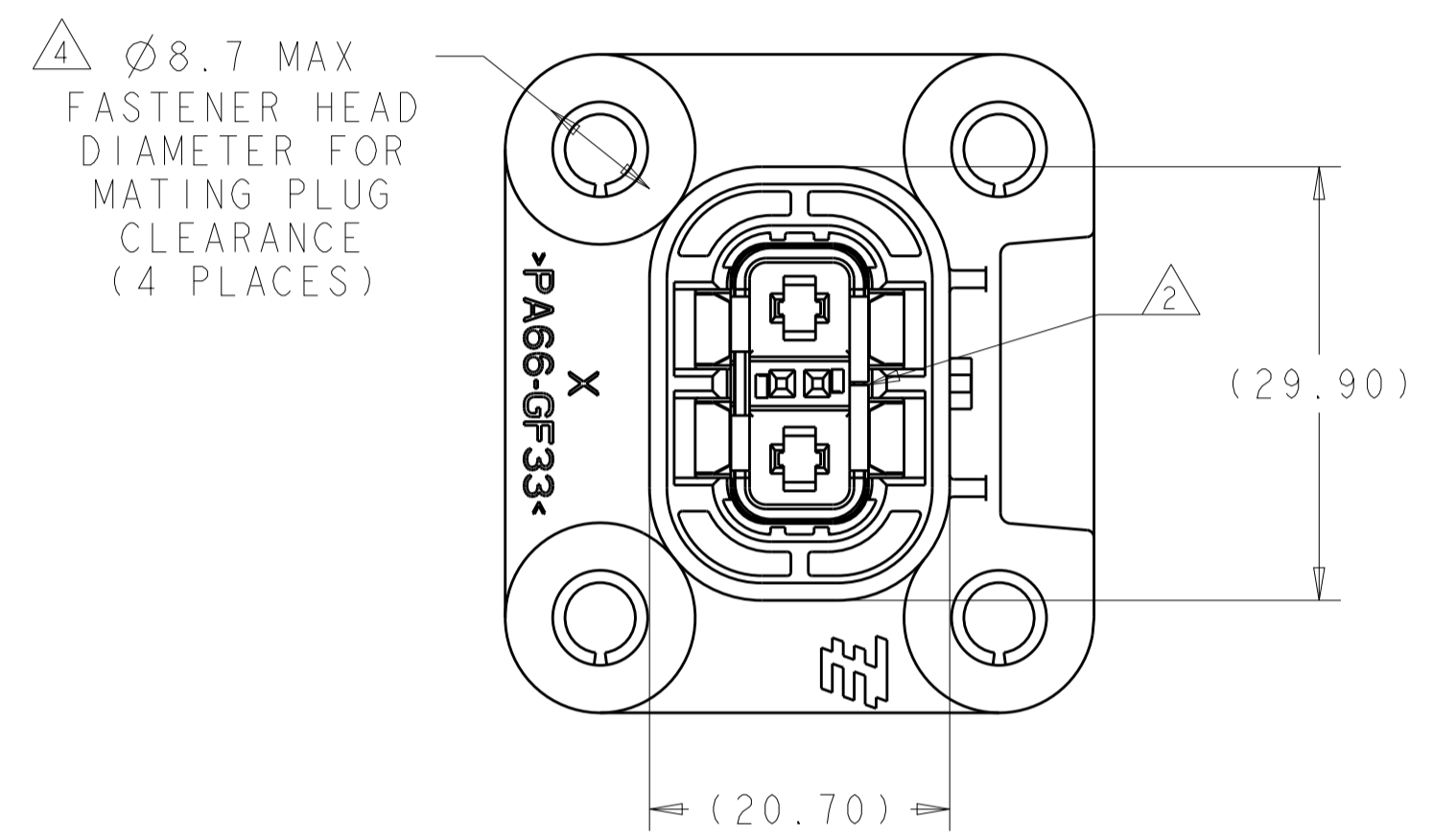
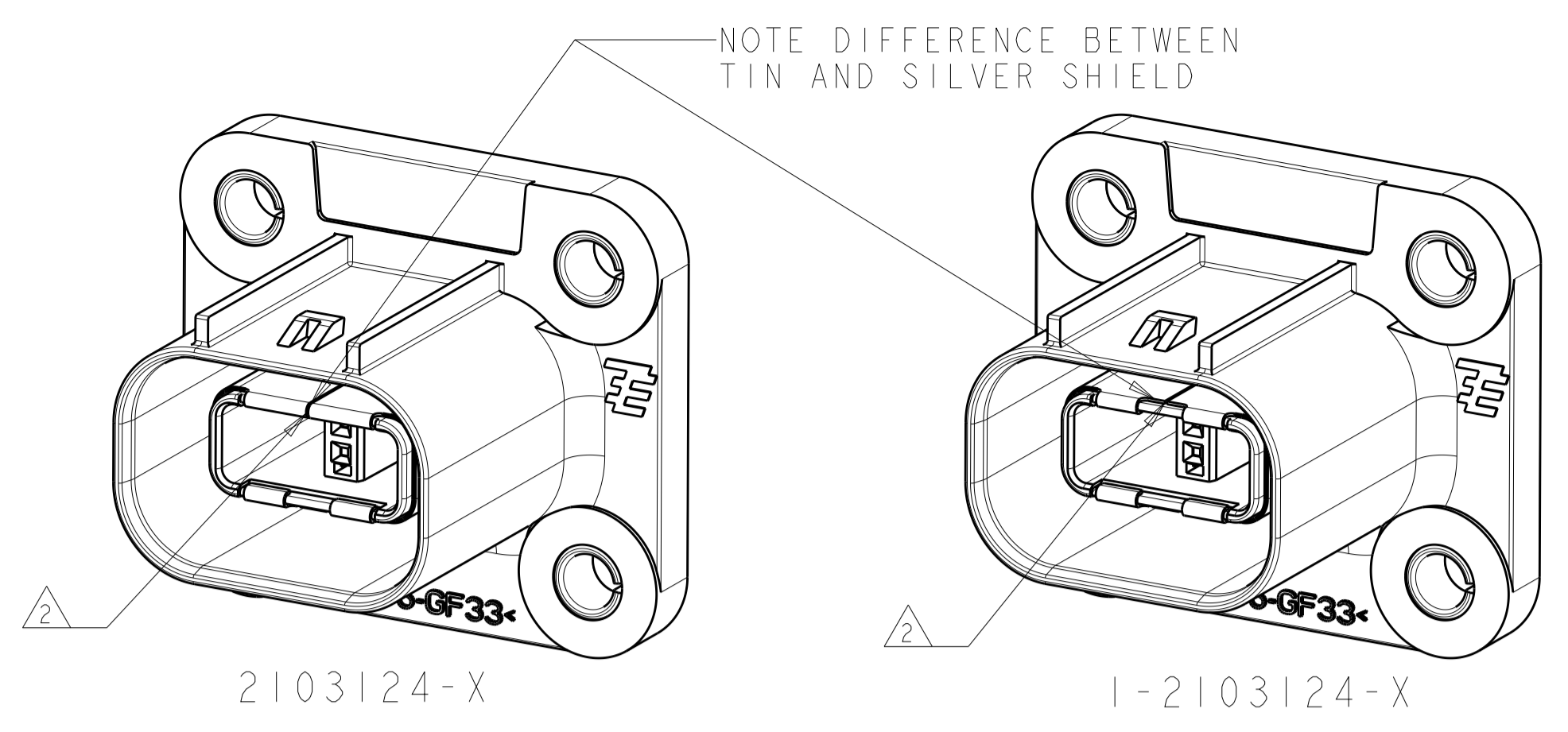
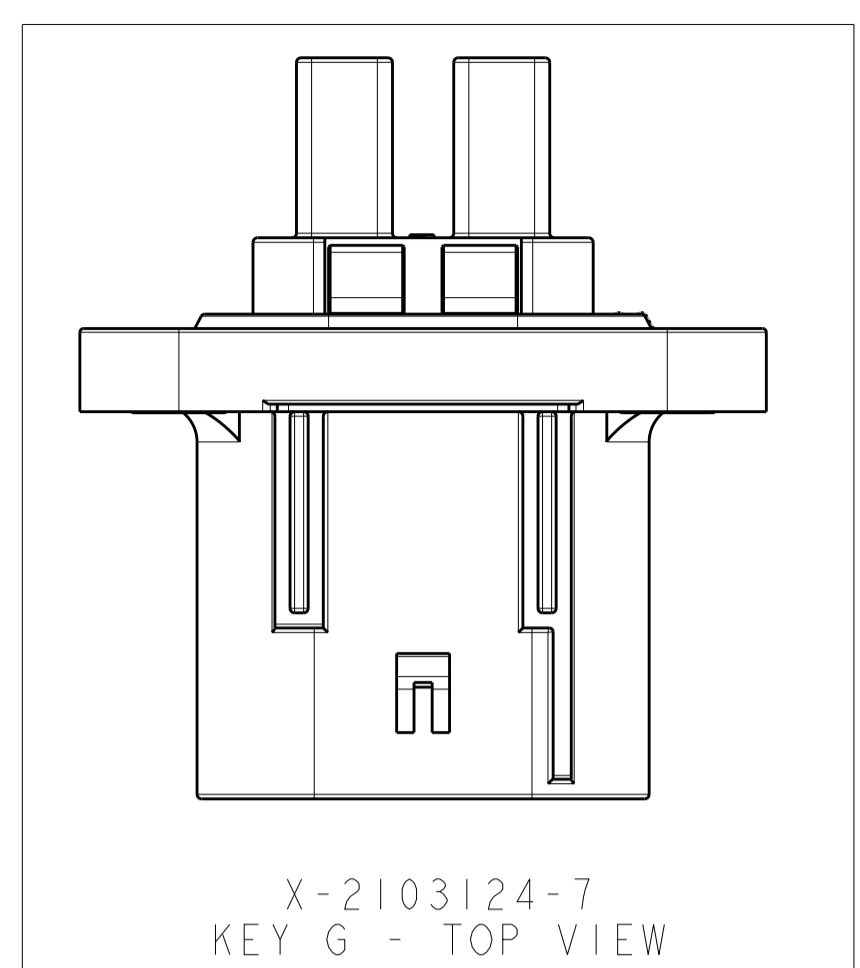


REVISIONS				
P.	LTN.	DESCRIPTION	DATE	OWN. APVD.
B2	ECO-14-008515		06JUN2014	YS TD



2103124-1 SHOWN IN ALL VIEWS UNLESS NOTED REFER TO SHEET 2 FOR ADDITIONAL PART NUMBER VIEWS

- IDENTIFICATION MARKING ON THIS SURFACE CONTAINS ASSEMBLY P/N AND DATE CODE (YYDD). TEXT ORIENTATION, SIZE, AND LOCATION CAN VARY AS LONG AS TEXT IS ON SURFACE SHOWN AND READABLE.
- SHIELD SEAM CAN BE POSITIONED AS SHOWN OR ROTATED 180° FROM POSITION SHOWN.
- DELETED
- THESE DIMENSIONS DEFINE FASTENER SIZE LIMITS FOR PROPER COMPONENT FUNCTIONALITY. END USER MUST ENSURE FASTENER AND/OR WASHER DIAMETER IS 8.6 MM MIN FOR PROPER RETENTION. THESE ARE NOT PRODUCT FEATURES - NO INSPECTION REQUIRED FOR THESE ITEMS.
- SURFACE FINISH APPLIES TO AREAS SHOWN IN MOUNTING INTERFACE SPECIFICATION
- USE WITH 2.8MM BLADE TERMINAL P/N:  
 2-2141598-2 FOR 1.0 - 2.5MM<sup>2</sup> WIRE  
 2-2141600-2 FOR >2.5 - 4.0MM<sup>2</sup> WIRE
- USE WITH MOS RECEPTACLE P/N:  
 963715-6, 963715-5, 928999-6 OR 928999-5,  
 DEPENDING ON WIRE SIZE AND MATING PLUG USED
- NOTE DELETED
- NOTE DELETED

SHIELD FINISH	INDEX	PART NO
SILVER	G	1-2103124-7
SILVER	F	1-2103124-6
SILVER	E	1-2103124-5
SILVER	D	1-2103124-4
SILVER	B	1-2103124-2
SILVER	A	1-2103124-1
TIN	G	2103124-7
TIN	F	2103124-6
TIN	E	2103124-5
TIN	D	2103124-4
TIN	B	2103124-2
TIN	A	2103124-1

THIS DRAWING IS A CONTROLLED DOCUMENT.

OWN: T. DEWILTE 30SEP2010  
 CHK: T. DEWILTE 30SEP2010  
 APVD: T. DEWILTE 15APR2011

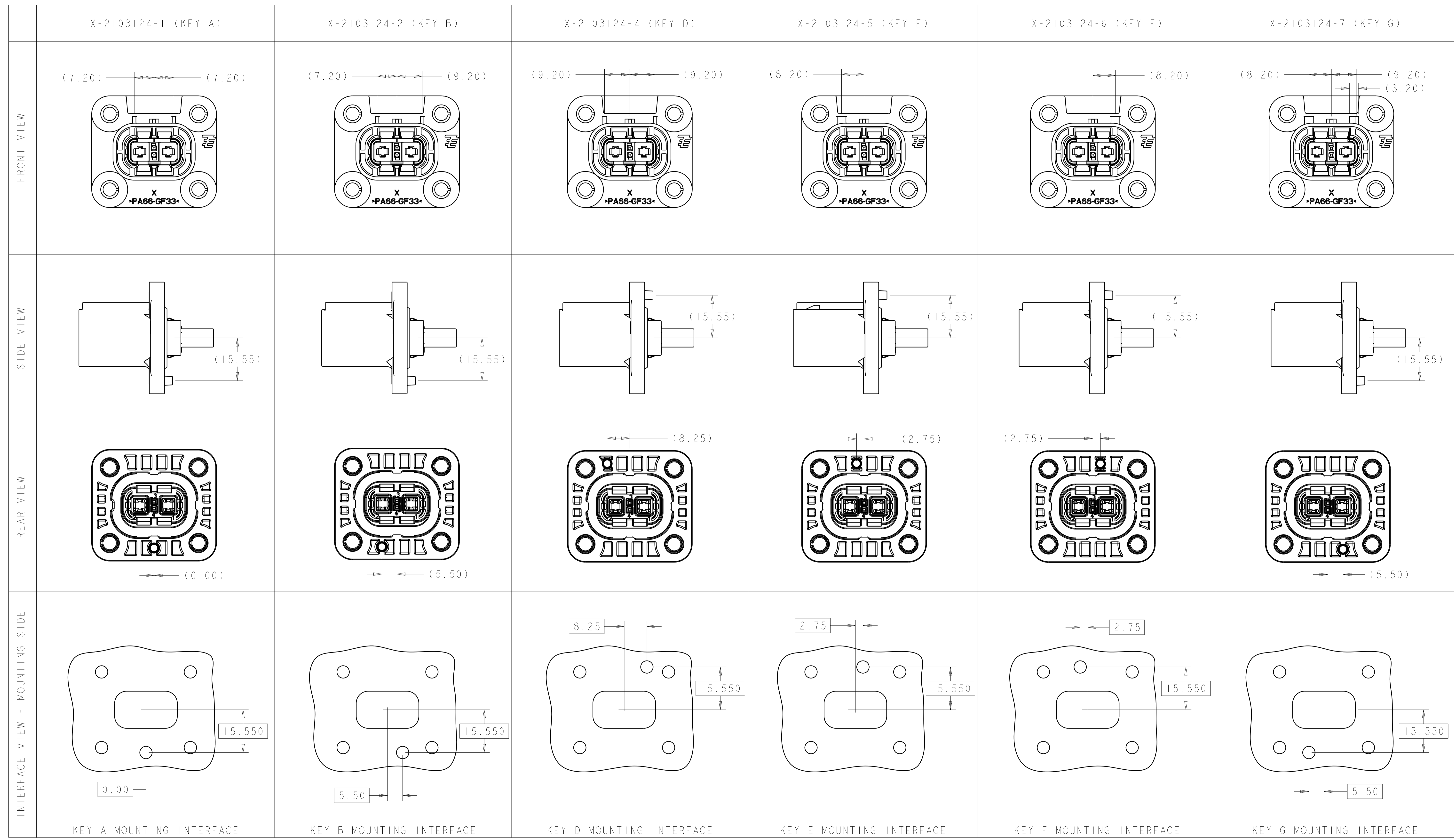
TE Connectivity

HVA280 2P HEADER ASSY  
 W/HVIL - PLASTIC 1 PIECE  
 CHART DRAWING

SIZE: 408-10441  
 WEIGHT: 22.7 g  
 CUSTOMER DRAWING

SCALE: 2:1 SHEET 1 OF 2 REV: B2

REVISIONS				
P.	LTN.	DESCRIPTION	DATE	APVD.
-	-	SEE SHEET 1	-	-



THIS DRAWING IS A CONTROLLED DOCUMENT.

DIMENSIONS:	TOLERANCES UNLESS OTHERWISE SPECIFIED:	OWN: T. DEWILTE 30SEP2010	CMC: T. DEWILTE 30SEP2010	TE Connectivity
mm	0 PLC ±0.50 1 PLC ±0.50 2 PLC ±0.15 3 PLC ±0.05 4 PLC ±0.05 ANGLES ±°	APVD: T. DEWILTE 15APR2011	NAME: HVA280 2P HEADER ASSY W/HVIL - PLASTIC 1 PIECE CHART DRAWING	
MATERIAL:	FINISH:	PRODUCT SPEC:	APPLICATION SPEC:	SIZE: A1
		408-10441	WEIGHT: 22.7 g	CAGE CODE: 2103124
		CUSTOMER DRAWING	SCALE: 2:1	SHEET 2 OF 2 REV: B2