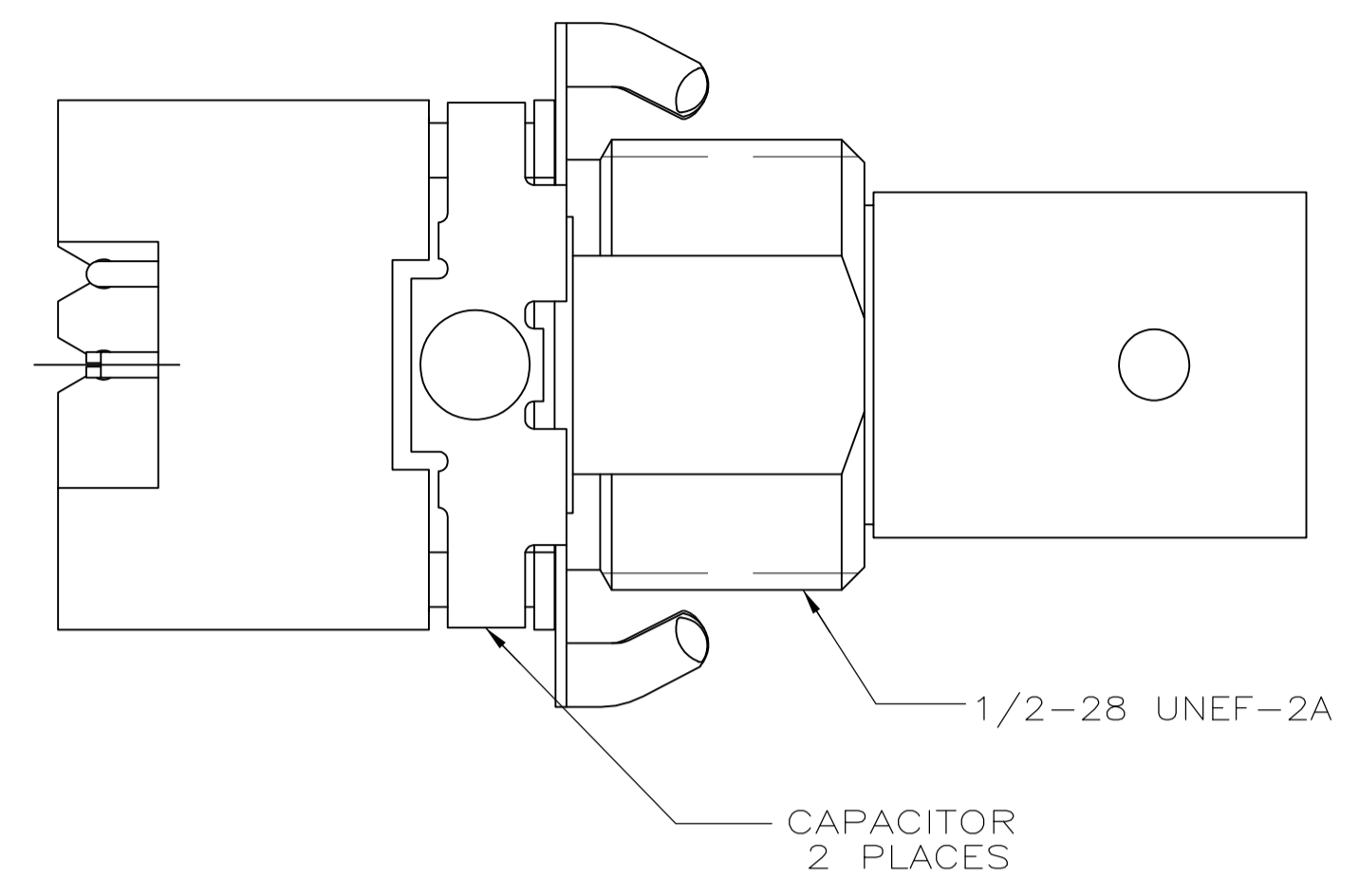
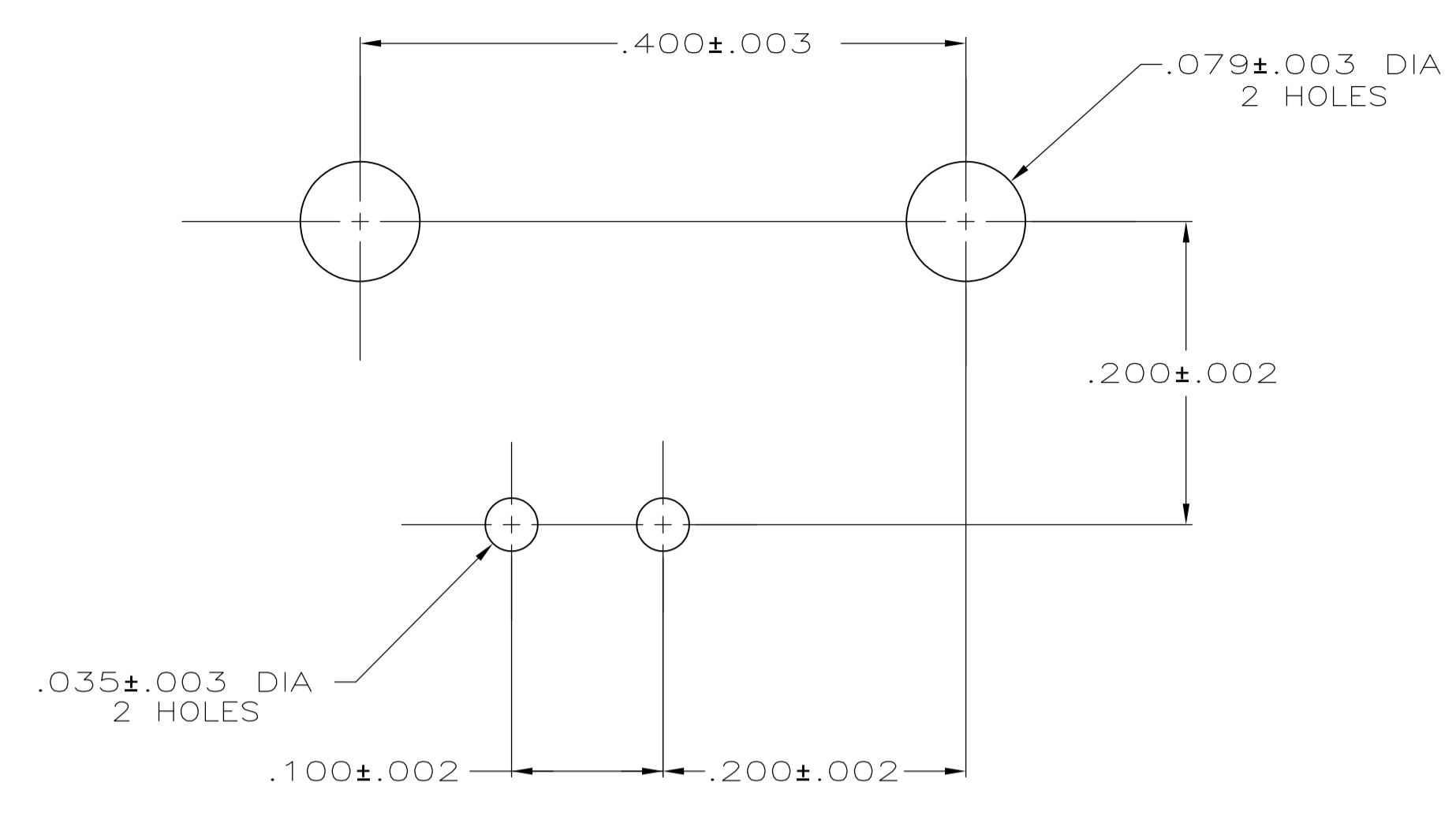
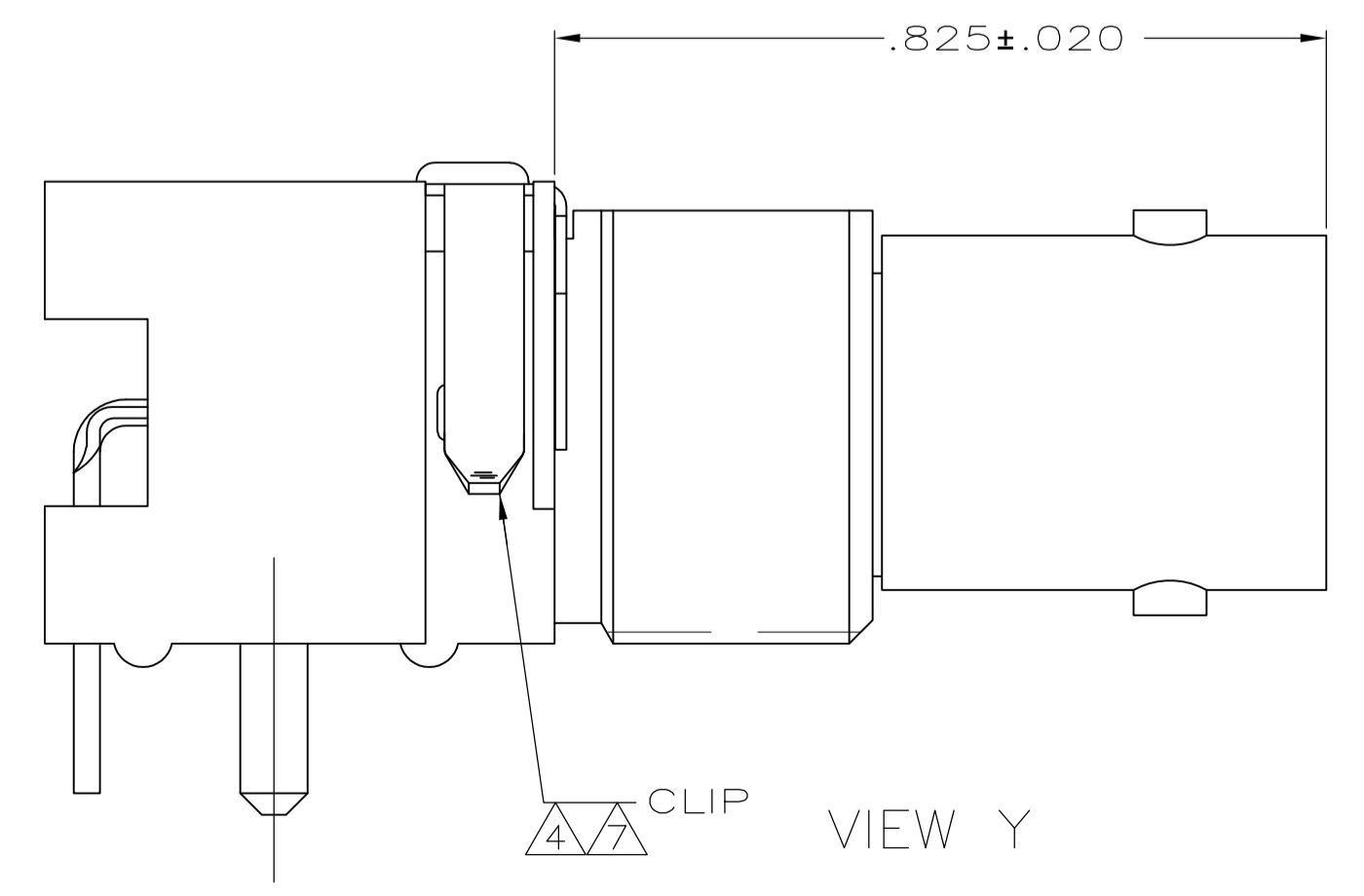
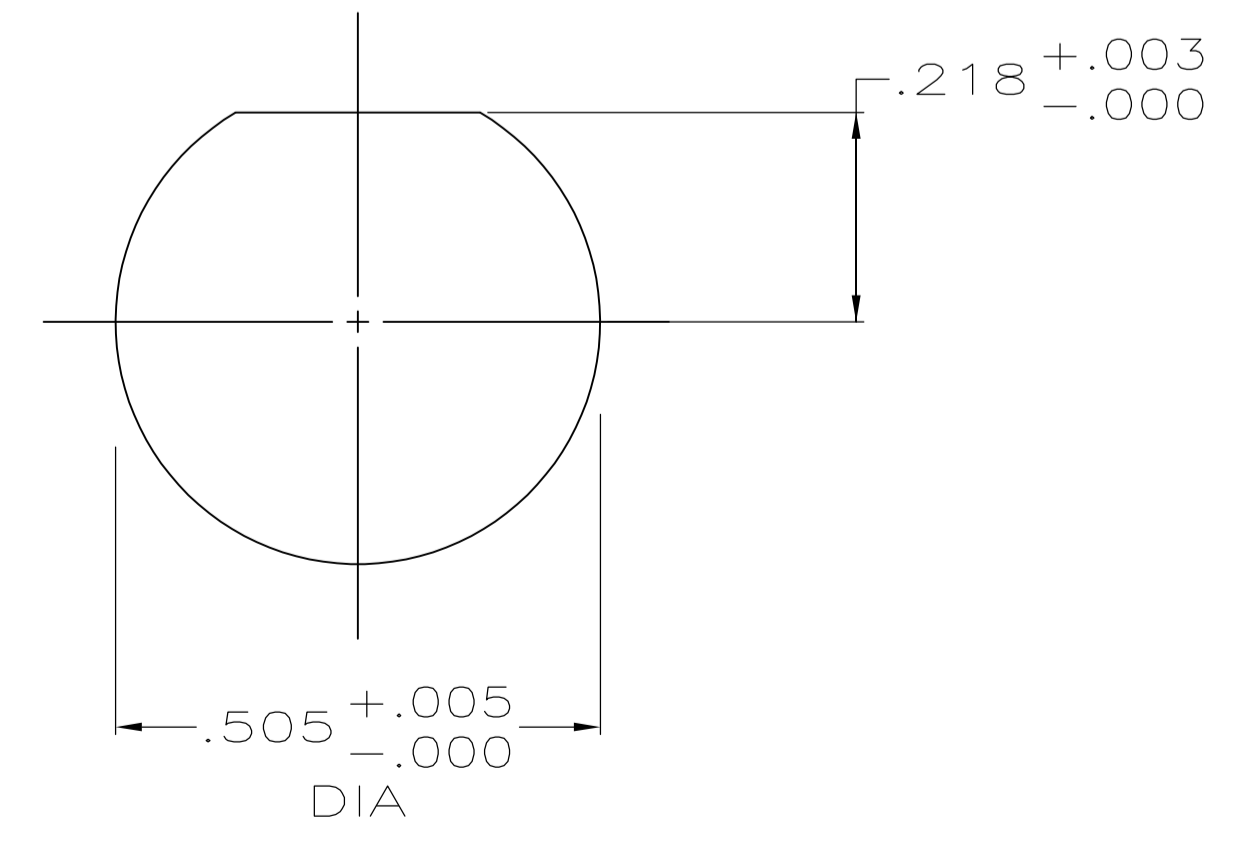
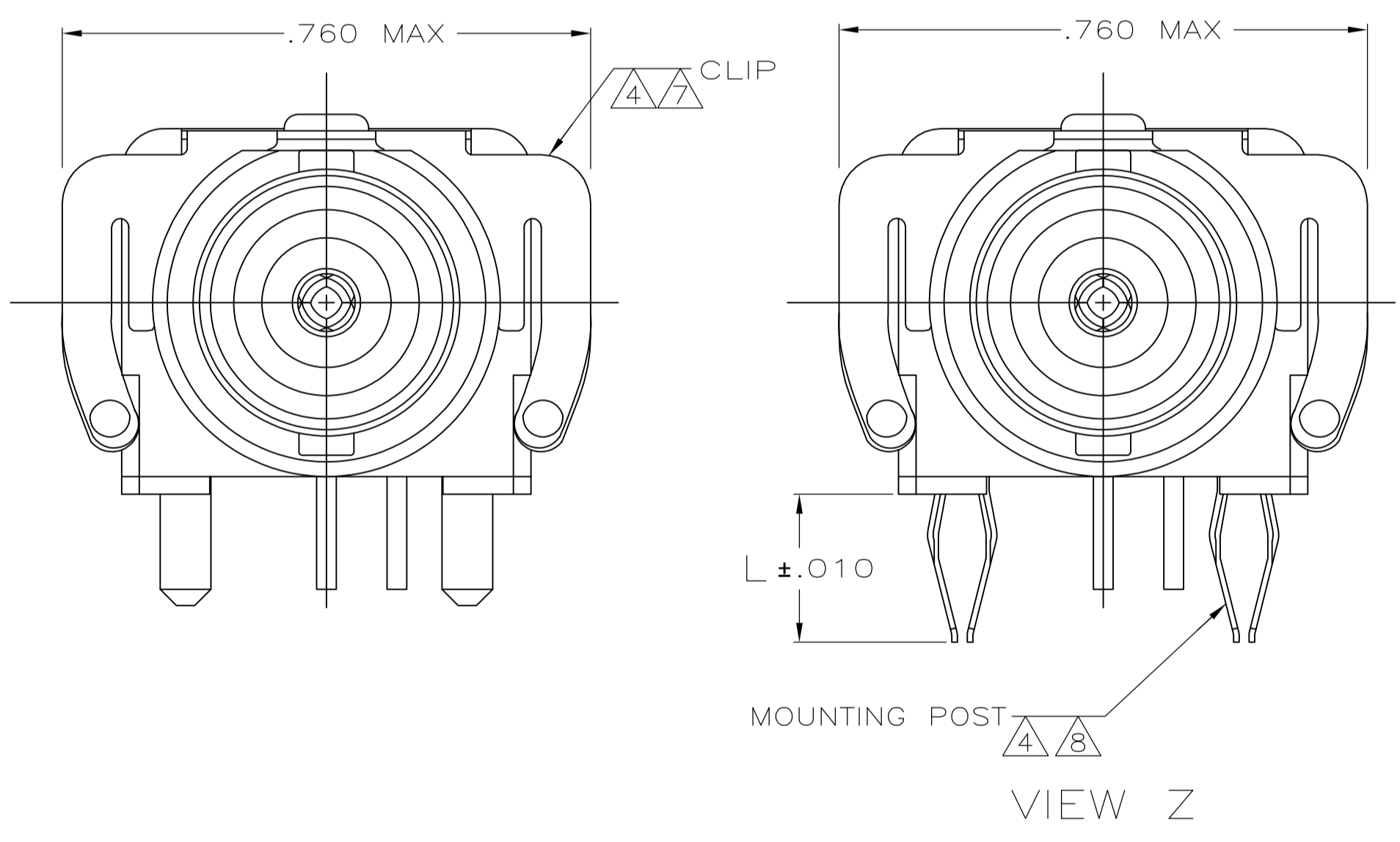
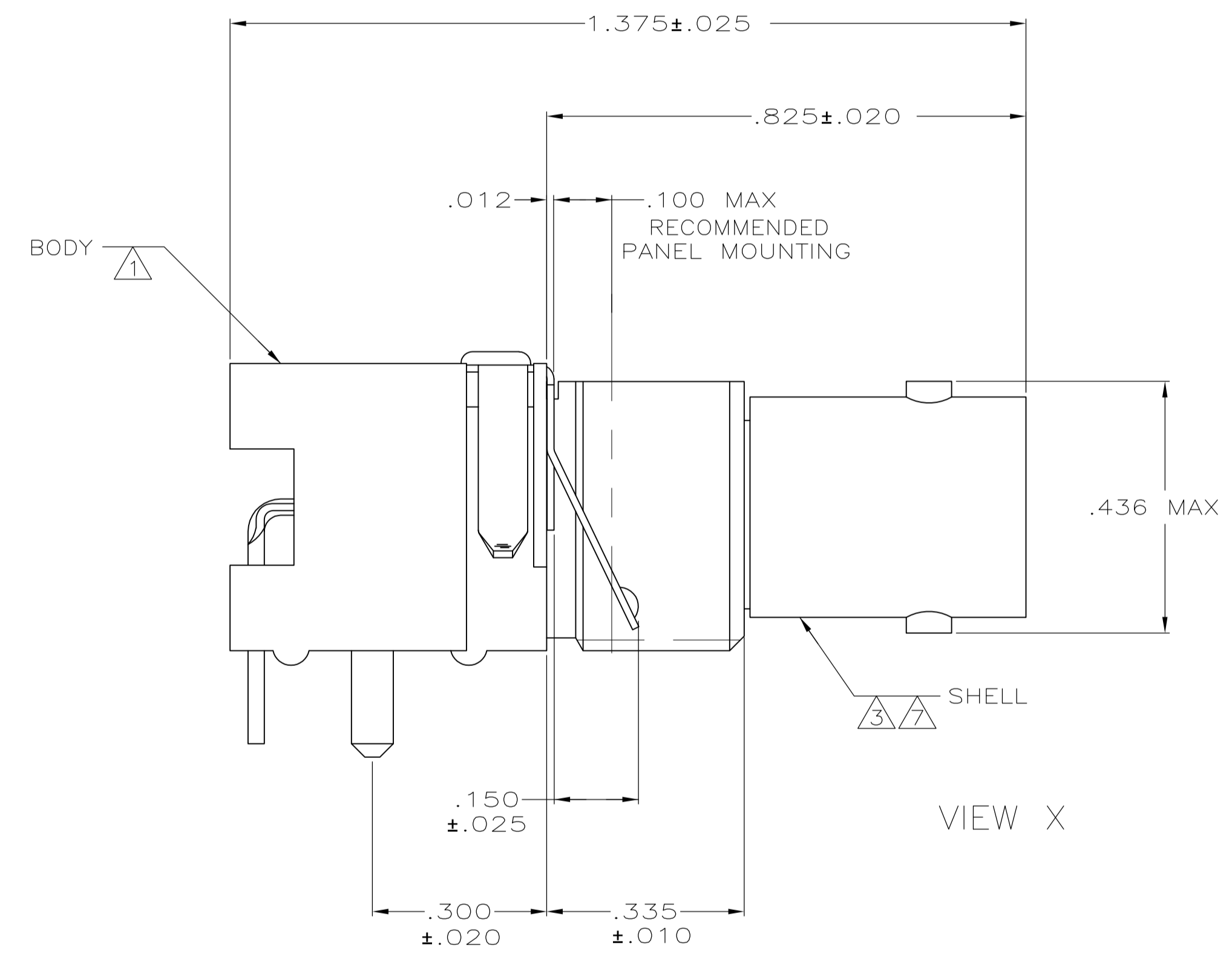
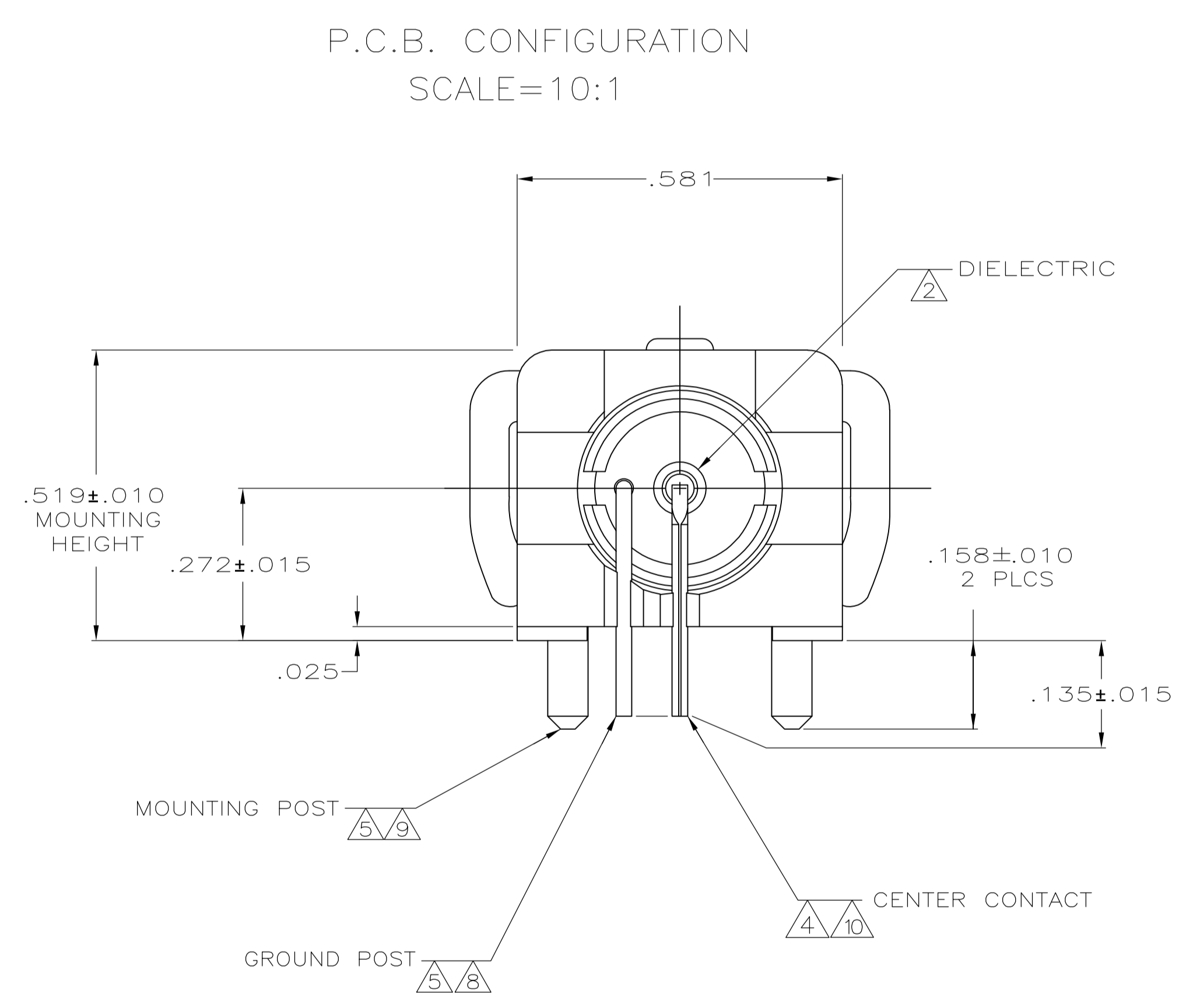


LOC	DIST	REVISIONS			
		REV	DESCRIPTION	DATE	BY
AJ	16	AB	REVISED PER ECO-08-009474	7/21/2008	DW JL
		AB1	REVISED PER ECO-09-021826	12SEP09	KK AEG



- 1 POLYESTER, PBT, BLACK, PER MIL-M-24519.
- 2 POLYMETHYLPENTENE GENERAL PURPOSE.
- 3 ZINC PER QQ-Z-363.
- 4 PHOSPHOR BRONZE PER QQ-B-750.
- 5 BRASS PER QQ-B-626.
- 6 BRASS PER ASTM-B-453.
- 7 NICKEL PL PER QQ-N-290.
- 8 TIN PLATE PER ASTM-B-545.
- 9 TIN PLATE PER ASTM-B-545.
- 10 SELECTIVELY GOLD PLATED ON INTERFACE AREA PER MIL-G-45204, .000030 THK, TIN PLATED ON SOLDER TAIL PER ASTM-B-545, ALL OVER NICKEL PL PER QQ-N-290.
- 11 OBSOLETE PARTS: OBSOLETE CIS STREAMLINING PER D.RENAUD/D.SINISI



REV	DESCRIPTION	VIEW X	VIEW Y	CAPACITANCE & VOLTAGE	PART NO
OBSOLETE	-	VIEW X	VIEW X	1000 pf, 2200 VDC	1-413515-1
SUPERSEDED BY 413515-2	-	VIEW X OR Y	VIEW X	9400 pf, 1500 VDC	1-413515-0
		VIEW Z	VIEW X	9400 pf, 1500 VDC	413515-9
SUPERSEDED BY 5413515-8		VIEW Z	VIEW X	9400 pf, 1500 VDC	413515-8
		VIEW Z	VIEW X	7900 pf, 1600 VDC	413515-7
SUPERSEDED BY 413515-7		VIEW Z	VIEW X	7900 pf, 1600 VDC	413515-6
SUPERSEDED BY 413515-2	-	VIEW X OR Y	VIEW Y	9400 pf, 1500 VDC	413515-5
SUPERSEDED BY 413515-2	-	VIEW X OR Y	VIEW Y	9400 pf, 500 VDC	413515-4
OBSOLETE	-	VIEW X OR Y	VIEW X	20000 pf, 500 VDC	413515-3
	-	VIEW X OR Y	VIEW X	9400 pf, 1500 VDC	413515-2
SUPERSEDED BY 413515-2	-	VIEW X OR Y	VIEW X	9400 pf, 500 VDC	413515-1

THIS DRAWING IS A CONTROLLED DOCUMENT.		DIN P. KERLIN 5/4/90	Tyco Electronics Corporation Middletown, PA 17057
DIMENSIONS: INCHES		CHK R. E. RUTH 5/18/90	
TOLERANCES UNLESS OTHERWISE SPECIFIED:		APPRO P. BIRD 5/18/90	NAME: JACK, DECOUPLER, RIGHT ANGLE, LOW PROFILE, SERIES BNC
0 PLC ± -	1 PLC ± -	2 PLC ± -	PRODUCT SPEC: 108-1269
3 PLC ± .008	4 PLC ± -	ANGLES ± -	APPLICATION SPEC: -
MATERIAL: THRU	FINISH: 7, 8, 9, 10	WEIGHT: -	SIZE: A1 00779 C=413515
CUSTOMER DRAWING		SCALE: 4:1	SHEET 1 OF 1 REV AB1