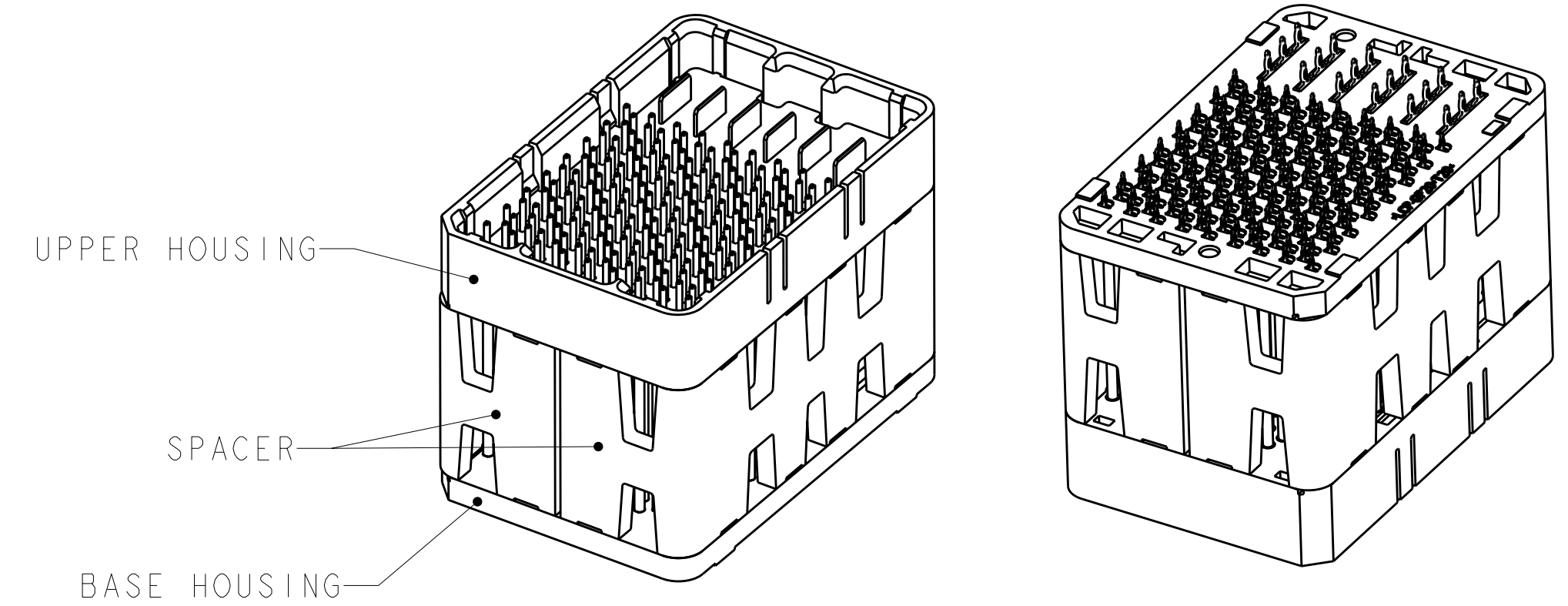
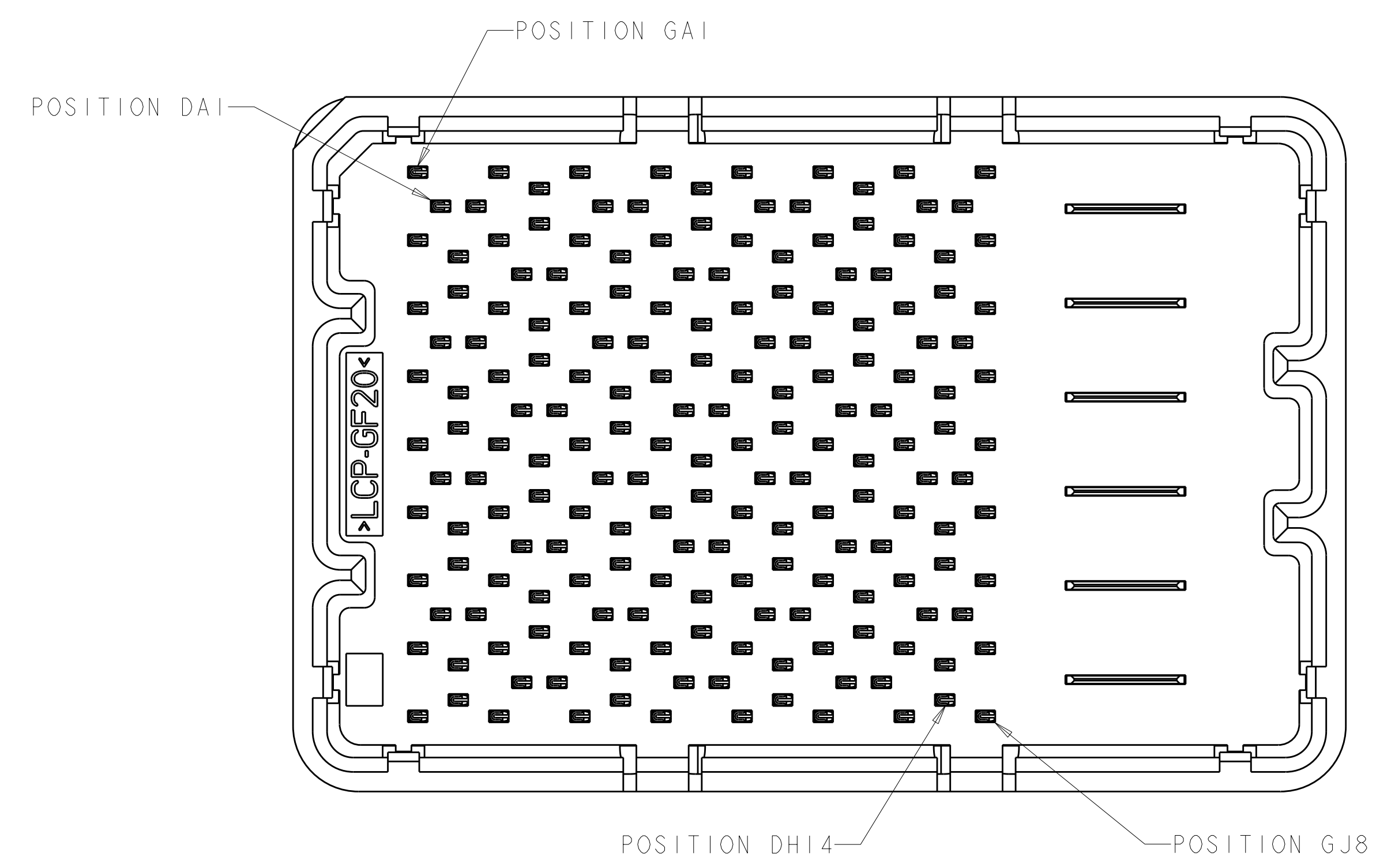
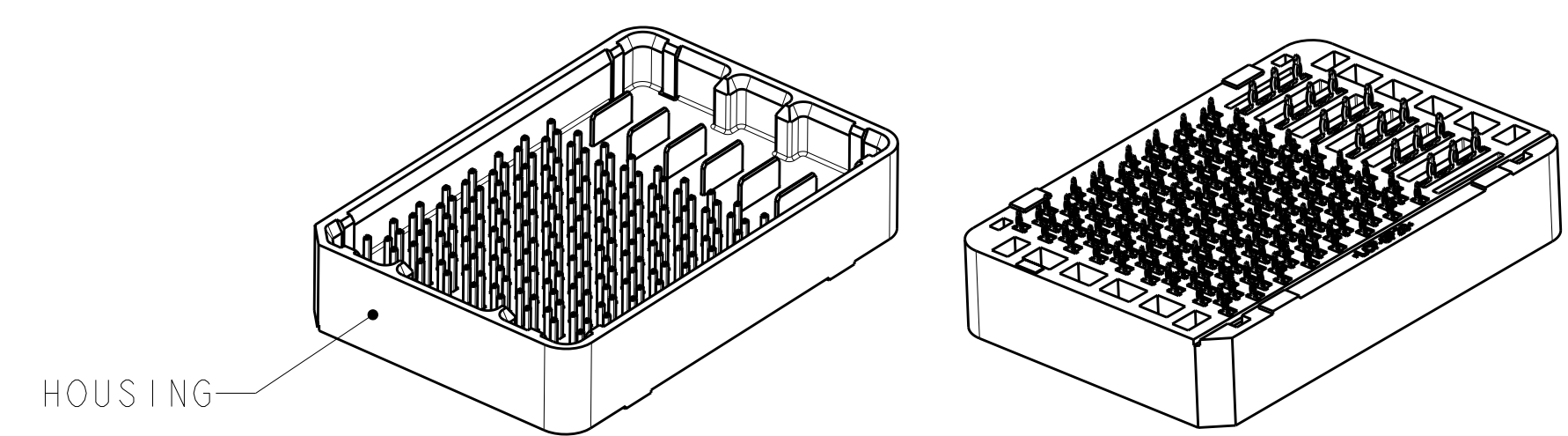


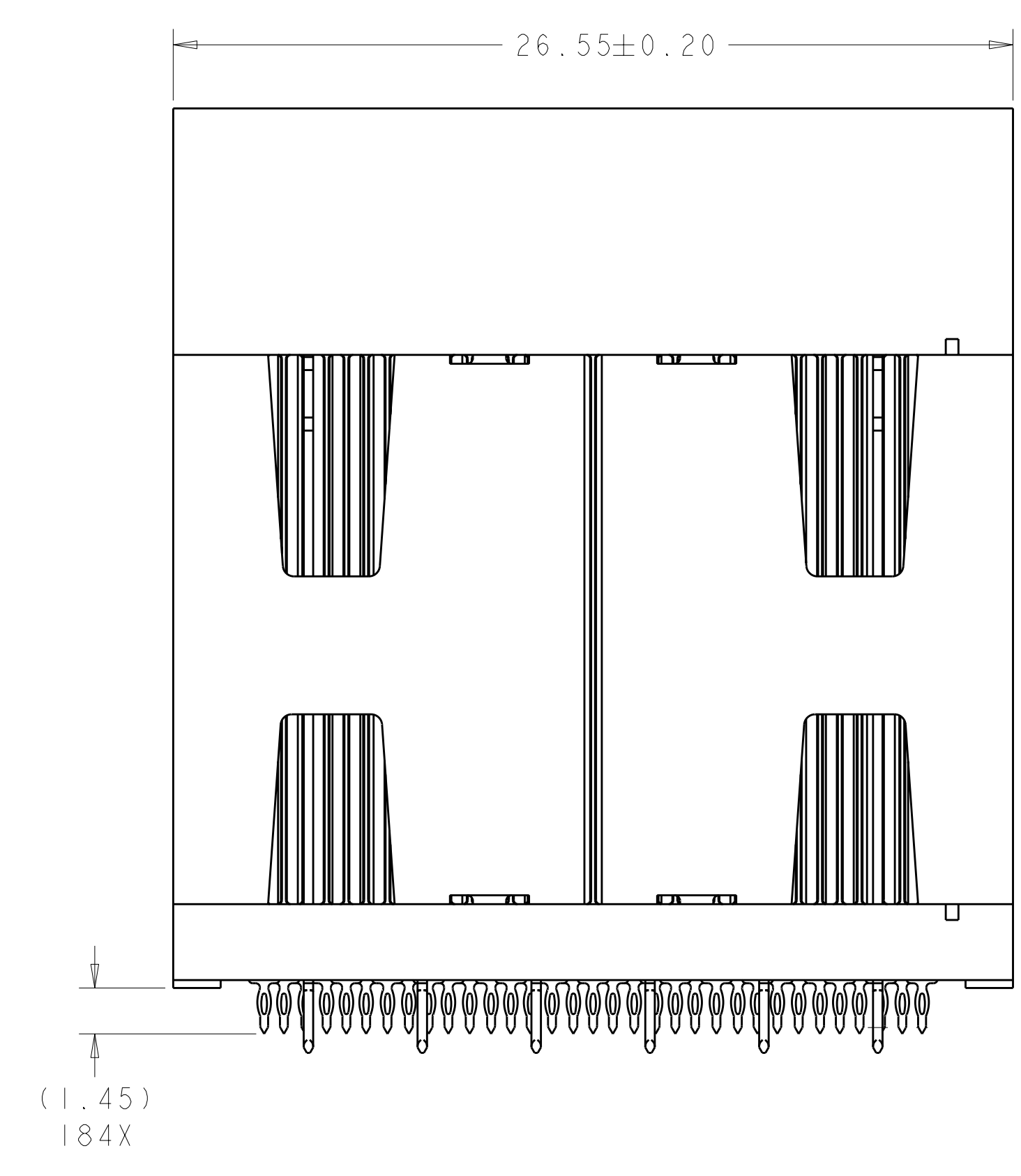
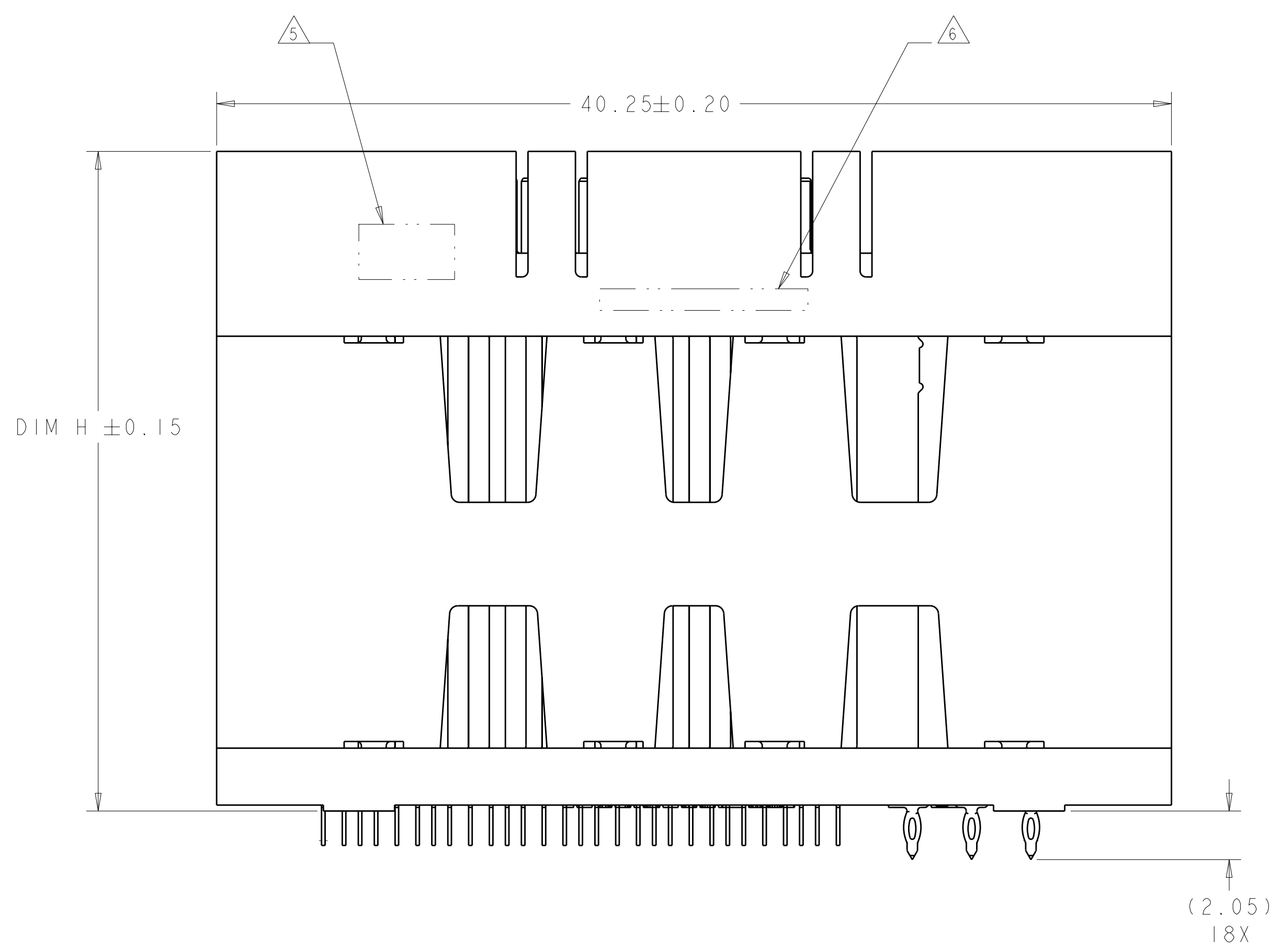
LOC	DIST	REV	DATE	BY	CHK	APPV
GP	00	11	07DEC2010	WS	MH	
		12	01MAY2012	REH	DT	



ISOMETRIC VIEW  
TYPICAL CONFIGURATION FOR 14mm THRU 42mm  
28mm SHOWN  
SCALE 2:1



ISOMETRIC VIEW  
TYPICAL CONFIGURATION FOR 8mm THRU 13mm  
8mm SHOWN  
SCALE 2:1



- △ MATERIAL:  
BASE HOUSING, UPPER HOUSING, ORGANIZER,  
AND SPACER: THERMOPLASTIC, FLAMMABILITY  
RATING UL94-V0  
CONTACT: COPPER ALLOY
- 2. CONFORMS TO THE REQUIREMENTS OF TE PRODUCT  
SPECIFICATION, 108-2375; BASED ON TELCORDIA  
GR-1217-CORE FOR SYSTEM QUALITY LEVEL III,  
APPLICATIONS IN CONTROLLED ENVIRONMENTS  
(CENTRAL OFFICE).  
SEE TE PRODUCT SPECIFICATION 108-2375 FOR  
TEST SEQUENCES.
- △ ROWS GA THRU GJ (SHOWN DARKENED) ARE TYPICALLY  
USED AS GROUNDS.
- △ SPECIFIED POSITIONAL TOLERANCE DEFINES HOLE TO  
HOLE LOCATION WITHIN HOLE PATTERN. POSITIONAL  
TOLERANCE OF HOLE PATTERN TO FIDUCIAL MARKS  
OR PCB DATUMS SHALL BE DEFINED BY CUSTOMER.
- △ AREA RESERVED FOR TE CONNECTIVITY LOGO.
- △ AREA RESERVED FOR PART NUMBER (X-XXXXXX-X)  
AND DATE CODE (YYWW).
- △ USE CENTERLINES INDICATED ON PCB HOLE PATTERN  
TO ESTABLISH ALIGNMENT BETWEEN HEADER AND  
RECEPTACLE BOARDS.
- △ PLATED THROUGH HOLE REQUIREMENTS - SIGNAL:  
HOLE SIZE PRIOR TO PLATING =  $\varnothing 0.420 \pm 0.013$   
COPPER PLATING THICKNESS =  $0.038 \pm 0.013$   
CALCULATED FINISHED HOLE SIZE =  $\varnothing 0.344 \pm 0.039$   
THESE DIMENSIONS APPLY TO THE TOP 1.25mm OF  
THE PCB THICKNESS FROM THE CONNECTOR MOUNTING  
SIDE.
- △ PLATED THROUGH HOLE REQUIREMENTS - POWER:  
HOLE SIZE PRIOR TO PLATING =  $\varnothing 0.700 \pm 0.025$   
COPPER PLATING THICKNESS =  $0.038 \pm 0.013$   
CALCULATED FINISHED HOLE SIZE =  $\varnothing 0.624 \pm 0.051$   
THESE DIMENSIONS APPLY TO THE TOP 1.50mm OF  
THE PCB THICKNESS FROM THE CONNECTOR MOUNTING  
SIDE.
- △ CONTACT SALES FOR AVAILABILITY OF THIS STACK  
HEIGHT.

**SIZE 2 HOUSING \***  
**56 DIFFERENTIAL PAIRS**  
**184 TOTAL SIGNAL CONTACTS**  
**6 POWER CONTACTS**

\* SIZE 1 AND SIZE 3 ARE ALSO AVAILABLE

THIS PRODUCT HAS NOT  
COMPLETED VALIDATION AND  
QUALIFICATION TESTING

THIS DRAWING IS A CONTROLLED DOCUMENT.		OWN D. RINGLER 04SEP2008	TE Connectivity	
DIMENSIONS: mm		CHK D. TROUT 04SEP2008	NAME HEADER ASSEMBLY 56/184/6P	
TOLERANCES UNLESS OTHERWISE SPECIFIED: 9 PLC ± 3 PLC ±0.13 5 PLC ±0.013 4 PLC ± ANGLES ±1		APPV J. FEDDER 04SEP2008	PRODUCT SPEC 108-2375	
MATERIAL		APPLICATION SPEC 114-13249	STRADA MESA MEZZANINE CONNECTOR	
FINISH		WEIGHT	SIZE A1100779	RESTRICTED TO
CUSTOMER DRAWING		SCALE 6:1	DRAWING NO. C=2057460	SHEET 1 OF 4
			REV 12	

THIS DRAWING IS UNPUBLISHED. RELEASED FOR PUBLICATION  
 BY: ALL RIGHTS RESERVED.

LOC	DIST	REV	DATE	BY	APPD
GP	00				

	41.8	42mm	MATTE Sn	9-2057460-2
	40.8	41mm	MATTE Sn	9-2057460-1
YES	39.8	40mm	MATTE Sn	9-2057460-0
	38.8	39mm	MATTE Sn	8-2057460-9
	37.8	38mm	MATTE Sn	8-2057460-8
	36.8	37mm	MATTE Sn	8-2057460-7
	35.8	36mm	MATTE Sn	8-2057460-6
	34.8	35mm	MATTE Sn	8-2057460-5
	33.8	34mm	MATTE Sn	8-2057460-4
	32.8	33mm	MATTE Sn	8-2057460-3
	31.8	32mm	MATTE Sn	8-2057460-2
	30.8	31mm	MATTE Sn	8-2057460-1
	29.8	30mm	MATTE Sn	8-2057460-0
	28.8	29mm	MATTE Sn	7-2057460-9
YES	27.8	28mm	MATTE Sn	7-2057460-8
	26.8	27mm	MATTE Sn	7-2057460-7
	25.8	26mm	MATTE Sn	7-2057460-6
	24.8	25mm	MATTE Sn	7-2057460-5
	23.8	24mm	MATTE Sn	7-2057460-4
YES	22.8	23mm	MATTE Sn	7-2057460-3
	21.8	22mm	MATTE Sn	7-2057460-2
	20.8	21mm	MATTE Sn	7-2057460-1
	19.8	20mm	MATTE Sn	7-2057460-0
	18.8	19mm	MATTE Sn	6-2057460-9
	17.8	18mm	MATTE Sn	6-2057460-8
	16.8	17mm	MATTE Sn	6-2057460-7
	15.8	16mm	MATTE Sn	6-2057460-6
	14.8	15mm	MATTE Sn	6-2057460-5
	13.8	14mm	MATTE Sn	6-2057460-4
	12.8	13mm	MATTE Sn	6-2057460-3
	11.8	12mm	MATTE Sn	6-2057460-2
	10.8	11mm	MATTE Sn	6-2057460-1
YES	9.8	10mm	MATTE Sn	6-2057460-0
YES	8.8	9mm	MATTE Sn	5-2057460-9
YES	7.8	8mm	MATTE Sn	5-2057460-8
TOOLED	DIM H	STACK HEIGHT	CONTACT TAIL PLATING	PART NUMBER

	41.8	42mm	Sn/Pb	4-2057460-2
	40.8	41mm	Sn/Pb	4-2057460-1
YES	39.8	40mm	Sn/Pb	4-2057460-0
	38.8	39mm	Sn/Pb	3-2057460-9
	37.8	38mm	Sn/Pb	3-2057460-8
	36.8	37mm	Sn/Pb	3-2057460-7
	35.8	36mm	Sn/Pb	3-2057460-6
	34.8	35mm	Sn/Pb	3-2057460-5
	33.8	34mm	Sn/Pb	3-2057460-4
	32.8	33mm	Sn/Pb	3-2057460-3
	31.8	32mm	Sn/Pb	3-2057460-2
	30.8	31mm	Sn/Pb	3-2057460-1
	29.8	30mm	Sn/Pb	3-2057460-0
	28.8	29mm	Sn/Pb	2-2057460-9
YES	27.8	28mm	Sn/Pb	2-2057460-8
	26.8	27mm	Sn/Pb	2-2057460-7
	25.8	26mm	Sn/Pb	2-2057460-6
	24.8	25mm	Sn/Pb	2-2057460-5
	23.8	24mm	Sn/Pb	2-2057460-4
YES	22.8	23mm	Sn/Pb	2-2057460-3
	21.8	22mm	Sn/Pb	2-2057460-2
	20.8	21mm	Sn/Pb	2-2057460-1
	19.8	20mm	Sn/Pb	2-2057460-0
	18.8	19mm	Sn/Pb	1-2057460-9
	17.8	18mm	Sn/Pb	1-2057460-8
	16.8	17mm	Sn/Pb	1-2057460-7
	15.8	16mm	Sn/Pb	1-2057460-6
	14.8	15mm	Sn/Pb	1-2057460-5
	13.8	14mm	Sn/Pb	1-2057460-4
	12.8	13mm	Sn/Pb	1-2057460-3
	11.8	12mm	Sn/Pb	1-2057460-2
	10.8	11mm	Sn/Pb	1-2057460-1
YES	9.8	10mm	Sn/Pb	1-2057340-0
YES	8.8	9mm	Sn/Pb	2057460-9
YES	7.8	8mm	Sn/Pb	2057460-8
TOOLED	DIM H	STACK HEIGHT	CONTACT TAIL PLATING	PART NUMBER

THIS DRAWING IS A CONTROLLED DOCUMENT.

DIMENSIONS: mm	TOLERANCES UNLESS OTHERWISE SPECIFIED:	DWN: D. RINGLER 04SEP2008	CHK: D. TROUT 04SEP2008	APVD: J. FEDDER 04SEP2008	NAME: HEADER ASSEMBLY 56/184/6P
	0 PLC ±.13 1 PLC ±.13 2 PLC ±.13 3 PLC ±.13 4 PLC ±.13 ANGLES ±.1	PRODUCT SPEC: 108-2375	APPLICATION SPEC: 114-13249	WEIGHT: -	RESTRICTED TO: -
MATERIAL: -	FINISH: -	CUSTOMER DRAWING		SCALE: 6:1	SHEET 2 OF 4

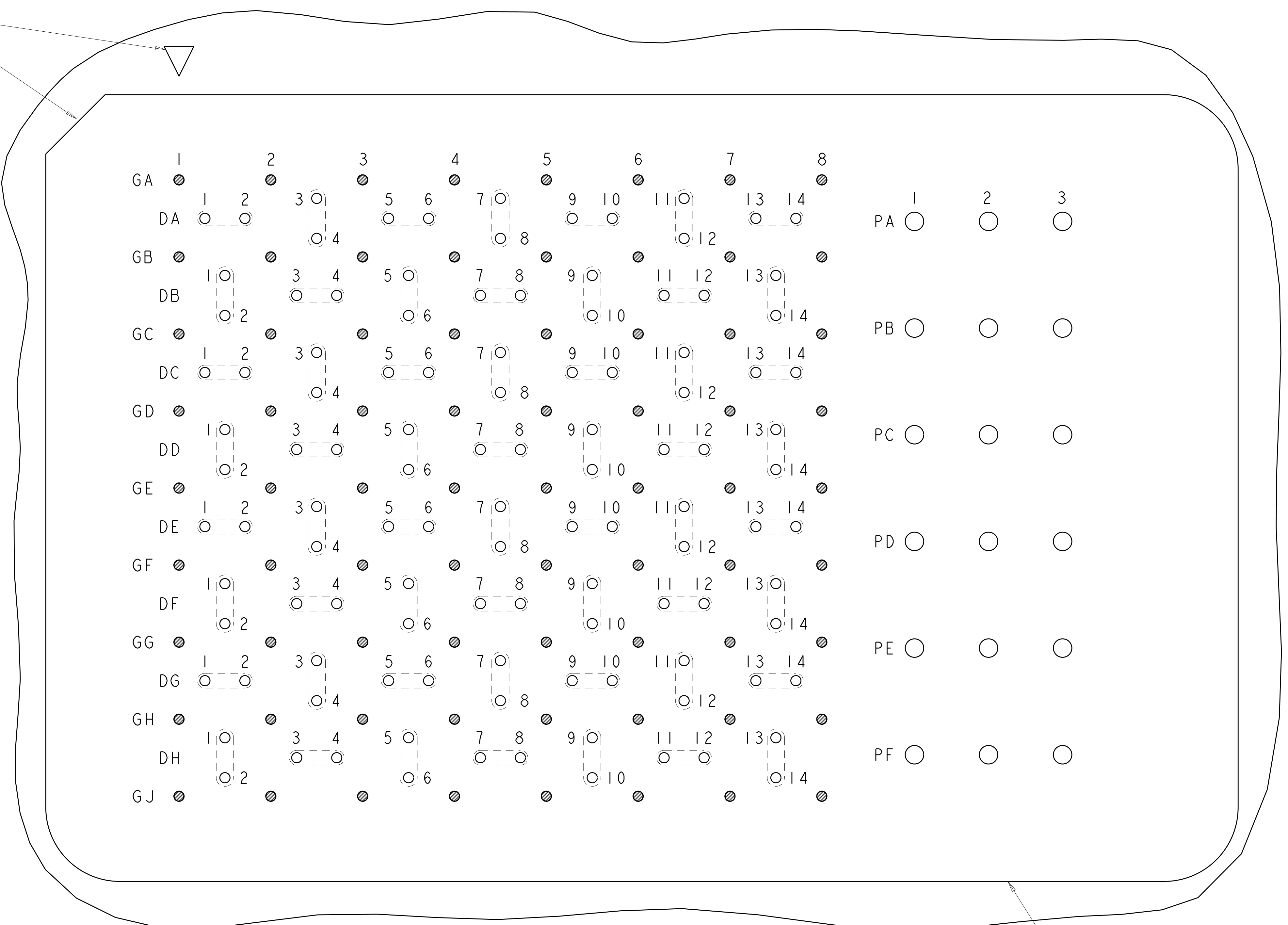
STE TE Connectivity

SIZE: A100779 C=2057460


REV 12


LOC	DIST	REVISIONS			
GP	00	REV	DATE	BY	APPD
		1	SEE SHEET 1		

A1 CORNER INDICATORS.



MATED CONNECTOR OUTLINE  
 SEE SHEET 4 FOR LOCATION TO HOLES

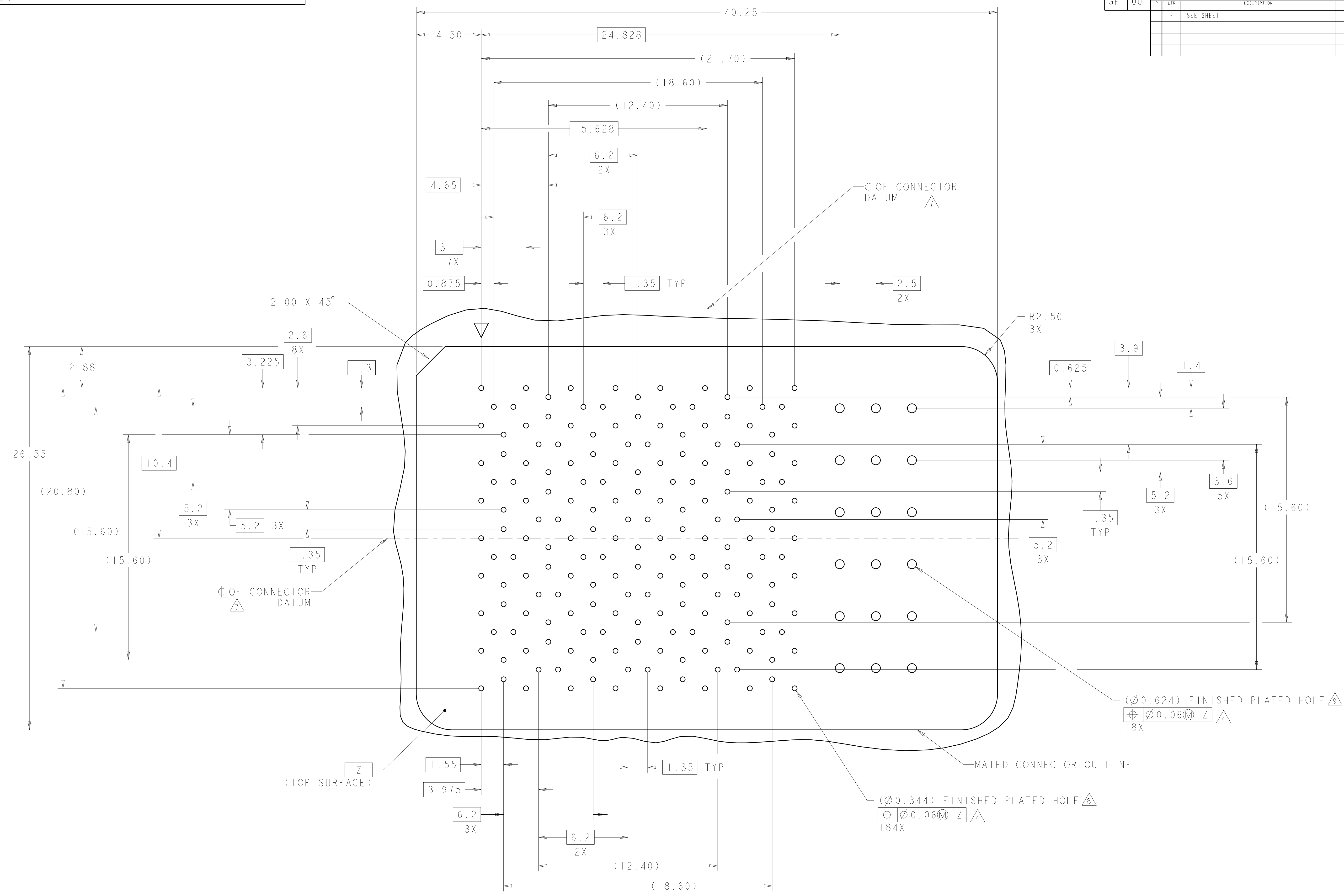
**PCB LAYOUT AND PIN IDENTIFICATION**   
 SHOWN FROM CONNECTOR SIDE  
 SCALE 12:1

THIS DRAWING IS A CONTROLLED DOCUMENT.		DWN D. RINGLER 04SEP2008	 TE Connectivity
DIMENSIONS: mm		CHK D. TROUT 04SEP2008	
TOLERANCES UNLESS OTHERWISE SPECIFIED:		APVD J. FEDDER 04SEP2008	NAME HEADER ASSEMBLY 56/184/6P
9 PLC ± 2 PLC ±0.13 5 PLC ±0.013 4 PLC ± ANGLES ±1		PRODUCT SPEC 108-2375	RESTRICTED TO
MATERIAL		APPLICATION SPEC 114-13249	SIZE CAGE CODE DRAWING NO A100779C=2057460
FINISH		WEIGHT	SCALE 6:1 SHEET 3 OF 4 REV 12
		CUSTOMER DRAWING	

LOC	DIST	REV	DATE	BY	APVD
GP	00				

REVISIONS		DATE	BY	APVD
1	SEE SHEET 1			



**PCB HOLE PATTERN**  
 SHOWN FROM CONNECTOR SIDE  
 SCALE 8:1

THIS DRAWING IS A CONTROLLED DOCUMENT.		DWN D. RINGLER 04SEP2008	TE Connectivity															
DIMENSIONS: mm		CHK D. TROUT 04SEP2008																
TOLERANCES UNLESS OTHERWISE SPECIFIED:		APVD J. FEDDER 04SEP2008	NAME HEADER ASSEMBLY 56/184/6P															
<table border="1"> <tr><td>Ø</td><td>PLC</td><td>±</td></tr> <tr><td>Ø</td><td>PLC</td><td>±0.13</td></tr> <tr><td>Ø</td><td>PLC</td><td>±0.013</td></tr> <tr><td>Ø</td><td>PLC</td><td>±</td></tr> <tr><td>Ø</td><td>PLC</td><td>±</td></tr> </table>		Ø	PLC	±	Ø	PLC	±0.13	Ø	PLC	±0.013	Ø	PLC	±	Ø	PLC	±	PRODUCT SPEC 108-2375	APPLICATION SPEC STRADA MESA MEZZANINE CONNECTOR
Ø	PLC	±																
Ø	PLC	±0.13																
Ø	PLC	±0.013																
Ø	PLC	±																
Ø	PLC	±																
MATERIAL: -		SIZE 114-13249	RESTRICTED TO															
FINISH: -		WEIGHT: -	SCALE 6:1 SHEET 4 OF 4 REV 12															
CUSTOMER DRAWING		SIZE CAGE CODE DRAWING NO A1100779C=2057460																