

PART NUMBER	REV	TERMINATOR	FEED TYPE	DESCRIPTION
1426630-1	B	LEADMAKER	MECH POST FEED	CUTS CARRIER
1426630-2	B	BENCH	MECH PRE FEED	CUTS CARRIER
1426630-6	B	LEADMAKER	MECH POST FEED	CONTINUOUS CARRIER
7-1426630-1	B	LEADMAKER	MECH POST FEED	-1 AND SPARE PARTS
7-1426630-2	B	BENCH	MECH PRE FEED	-2 AND SPARE PARTS
7-1426630-6	B	LEADMAKER	MECH POST FEED	-6 AND SPARE PARTS
7-1426630-7	B	-	-	SPARE PARTS KIT

CRIMP DATA INTERCONTEC TERMINAL TYCO CRIMP SPECS

TERMINAL NAME: PIN CONTACT IMM DIA

CRIMP	SIZE	TYPE	RANGE
WIRE	1.07 [1.042 IN]	F	0.20mm ² -0.50mm ²
INSUL	2.03 [1.080 IN]	O	1.20-2.00 [1.047-.079 IN]
WIRE STRIP LENGTH		APPL INSTRUCTIONS	
2.70 [1.106 IN]		408-8322	
TERMINAL APPL SPEC	-	FEED	7.62 [1.300 IN]

TERMINALS APPLIED

TYCO TERM PN	MANUF'S TERM PN	-	-
1949228-1	61.172.80	-	-
1949229-1	60.200.80	-	-
-	-	-	-
-	-	-	-

WIRE SIZE	CRIMP HEIGHT	PINPN & LENGTH [IN]
0.50mm ²	1.10 ± 0.05 [1.043 ± 0.002 IN]	8-354778-9 [1.2940]
0.35mm ²	0.99 ± 0.05 [1.039 ± 0.002 IN]	9-354778-7 [1.2980]
0.20mm ² or 0.25mm ²	0.88 ± 0.05 [1.035 ± 0.002 IN]	354779-6 [1.3020]



RECOMMENDED SPARE PARTS.

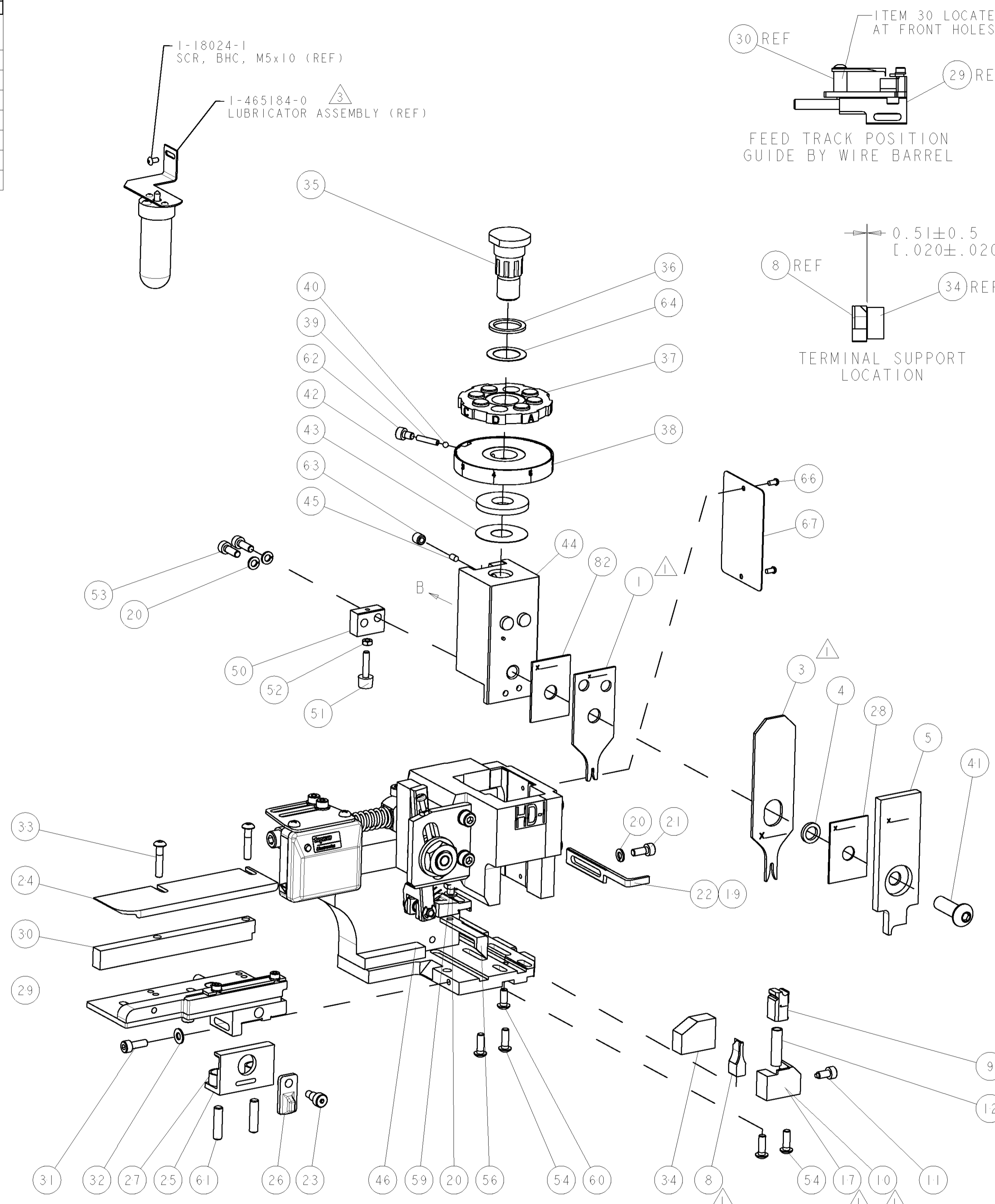
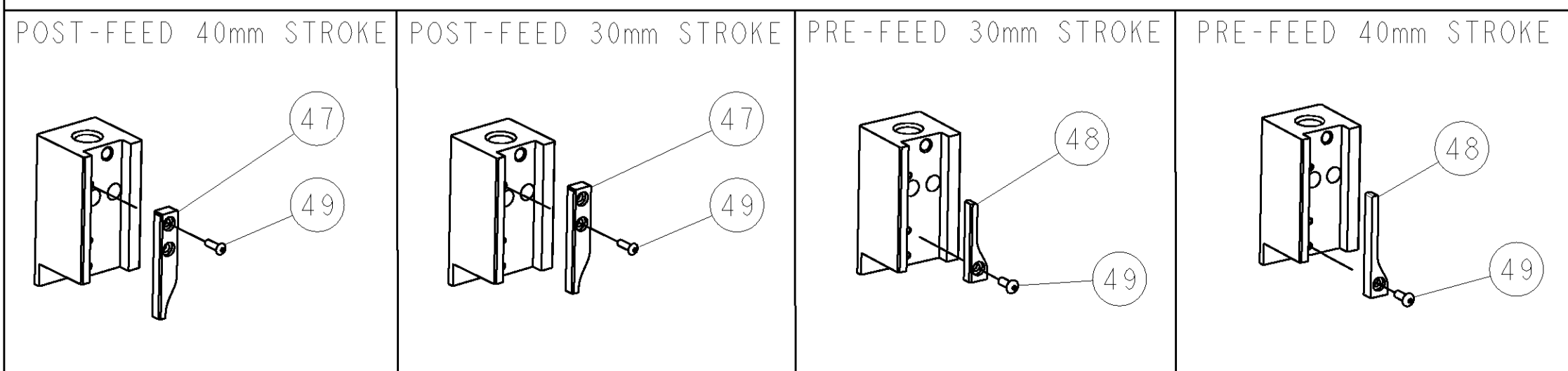
2. GREASE RAM, CAM, CAM FOLLOWER AND FEED ROD LIGHTLY.

CERTAIN TERMINALS REQUIRE LUBRICATION. REFER TO THE APPLICATOR INSTRUCTION SHEET FOR MORE INFORMATION.

4. LUBRICATE DAILY PER THE APPLICATOR INSTRUCTION SHEET SUPPLIED WITH THE APPLICATOR.

ALL CRIMP DATA CALCULATED BY TYCO ELECTRONICS UK LTD.

VIEW B ROTATED 180°



SET UP GAGE 458637-3				REVISIONS			
LOC	DIST	P	REV	DESCRIPTION	DATE	BY	APPD
A	66		A	SEE ECO-07-001710	23JAN2007	LJL	MC
			B	SEE ECR-07-014104	13JUN2007	LJL	MC

-	-	-	-	-	-	-	73	
-	-	-	-	-	-	-	72	
-	1	1	1	1	1	1338705-1	DOCUMENTATION PACKAGE	71
-	-	-	-	-	-	-	-	70
-	-	-	-	-	-	-	-	69
-	-	-	-	-	-	-	-	68
-	1	1	1	1	1	461264-1	PLATE, IDENTIFICATION	67
-	2	2	2	2	2	21017-2	SCREW, DRIVE	66
-	-	-	-	-	-	-	-	65
-	1	1	1	1	1	986950-1	WASHER, FLAT PRECISION	64
-	1	1	1	1	1	3-18031-0	SCR, SET, CUP POINT M6 X 6.0	63
-	1	1	1	1	1	18023-9	SCR, SKT HD CAP M4 X 6.0	62
-	2	2	2	2	2	2-18032-5	SCR, SET, FLT POINT M5 X 20.0	61
-	1	1	1	1	1	18024-7	SCR, BTN SKT HD CAP (M4 X 10.0)	60
-	1	1	1	1	1	5-18022-2	SCR, HEX HD CAP M4 X 8.0	59
-	-	-	-	-	-	-	-	58
-	-	-	-	-	-	-	-	57
-	1	1	1	1	1	1338685-1	PAWL, FEED	56
-	-	-	-	-	-	-	-	55
-	4	4	4	4	4	18024-8	SCR, BTN SKT HD CAP (M4 X 12.0)	54
-	2	2	2	2	2	1-18023-2	SCR, SKT HD CAP M4 X 12.0	53
-	1	1	1	1	1	18030-1	NUT, HEX, REG M3	52
-	1	1	1	1	1	811242-5	BUMPER, HOLD DOWN	51
-	1	1	1	1	1	690753-2	SPACER, TONKER	50
-	1	1	1	1	1	18024-3	SCR, BTN SKT HD CAP (M3 X 10.0)	49
-	1	1	1	1	1	1338675-1	CAM, UNIVERSAL PRE FEED	48
-	1	1	1	1	1	1338676-1	CAM, UNIVERSAL POST-FEED	47
-	1	1	1	1	1	1320999-3	APPLICATOR SUBASSEMBLY, HDI	46
-	1	1	1	1	1	690191-1	PLUG, NYLON	45
-	1	1	1	1	1	1338660-1	RAM	44
-	1	1	1	1	1	690125-1	SHIM SUB-ASSY	43
-	1	1	1	1	1	690124-4	WASHER, RAM (.135)	42
-	1	1	1	1	1	2-18024-6	SCR, BTN SKT HD CAP (M8 X 25.0)	41
-	1	1	1	1	1	23241-1	BALL, STEEL	40
-	1	1	1	1	1	2-22278-7	SPRING, COMPRESSION	39
-	1	1	1	1	1	1320922-5	DISC, ADJUST, INSULATION CRIMP	38
-	1	1	1	1	1	354777-1	WIRE DISC, ASSEMBLY	37
-	1	1	1	1	1	22480-5	SPRING, COMPRESSION	36
-	1	1	1	1	1	690212-1	POST, RAM	35
-	1	1	1	1	1	1-1320934-6	SUPPORT, TERMINAL	34
-	2	2	2	2	2	1-18024-0	SCR, BTN SKT HD CAP (M4 X 20.0)	33
-	1	1	1	1	1	18027-2	WASHER, FLAT, REG M4	32
-	1	1	1	1	1	1-18023-2	SCR, SKT HD CAP M4 X 12.0	31
-	1	1	1	1	1	1320908-4	SPACER, STRIP GUIDE	30
-	1	1	1	1	1	1633073-1	STRIP GUIDE ASSEMBLY	29
-	1	1	1	1	1	455888-8	SPACER, CRIMPER	28
-	2	2	2	2	2	1-22284-0	SPRING, COMPRESSION	27
-	1	1	1	1	1	356835-1	LEVER, DRAG RELEASE	26
-	1	1	1	1	1	240792-1	DRAG, TERMINAL	25
-	1	1	1	1	1	1320928-1	PLATE, STRIP GUIDE	24
-	1	1	1	1	1	980371-4	SCR, SKT HD SHLDR 5.0 DIA X 6.0	23
-	1	1	1	1	1	690472-2	STRIPPER	22
-	1	1	1	1	1	1-18023-1	SCR, SKT HD CAP M4 X 10.0	21
-	4	4	4	4	4	18025-2	WASHER, SPRG LOCK, REG M4	20
-	1	1	1	1	1	690472-1	STRIPPER	19
-	-	-	-	-	-	-	-	18
-	1	1	1	1	1	1338684-1	SHEAR HOLDER, FRONT	17
-	-	-	-	-	-	-	-	16
-	-	-	-	-	-	-	-	15
-	-	-	-	-	-	-	-	14
-	-	-	-	-	-	-	-	13
-	1	1	1	1	1	3-22280-3	SPRING, COMPRESSION	12
-	1	1	1	1	1	356885-4	STOP, SHEAR	11
-	1	1	1	1	1	1320921-1	SHEAR HOLDER, FRONT, CUT	10
-	1	1	1	1	1	462006-1	FLOATING SHEAR, FRONT	9
-	1	2	2	2	1	2-1633138-9	ANVIL, COMBINATION	8
-	-	-	-	-	-	-	-	7
-	-	-	-	-	-	-	-	6
-	1	1	1	1	1	1-455889-4	DEPRESSOR, SHEAR	5
-	1	1	1	1	1	238011-6	BLOCK, CRIMPER SPACER	4
-	1	2	2	2	1	9-456135-9	CRIMPER, INSULATION O PREMIUM	3
-	1	2	2	2	1	1-456401-5	CRIMPER, WIRE PREMIUM	2
-	-	-	-	-	-	-	-	1

-77	-76	-72	-71	-6	-2	-1	PART NO	DESCRIPTION	ITEM NO
-	-	-	-	-	-	-	-	-	84
-	-	-	-	-	-	-	-	-	83
-	-	-	-	-	-	-	-	-	82
-	1	1	1	1	1	1	1-455888-1	SPACER, CRIMPER	81
-	-	-	-	-	-	-	-	-	80
-	-	-	-	-	-	-	-	-	79
-	-	-	-	-	-	-	-	-	78
-	-	-	-	-	-	-	-	-	77
-	-	-	-	-	-	-	-	-	76
-	-	-	-	-	-	-	-	-	75
-	-	-	-	-	-	-	-	-	74