

THIS DRAWING IS UNPUBLISHED.

RELEASED FOR PUBLICATION

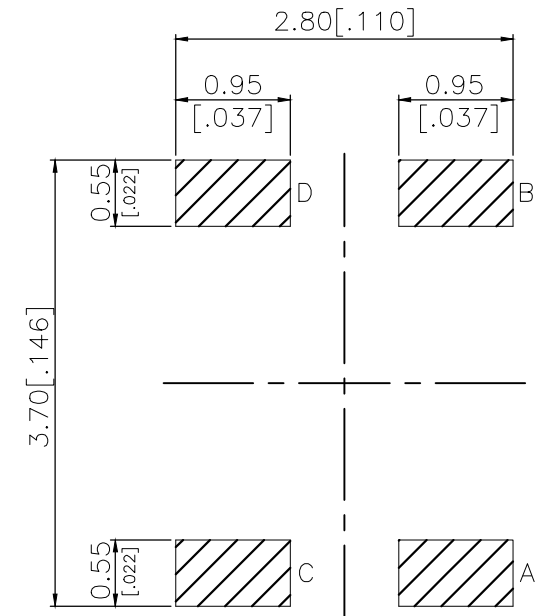
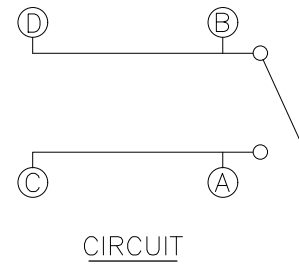
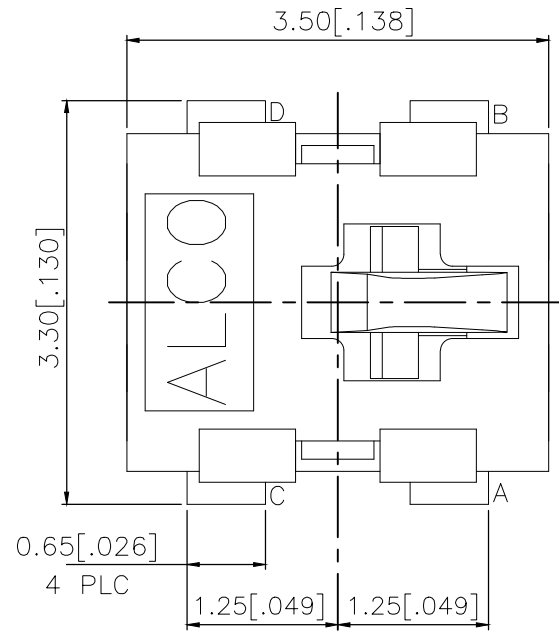
© COPYRIGHT - TE Connectivity Ltd.

ALL RIGHTS RESERVED.

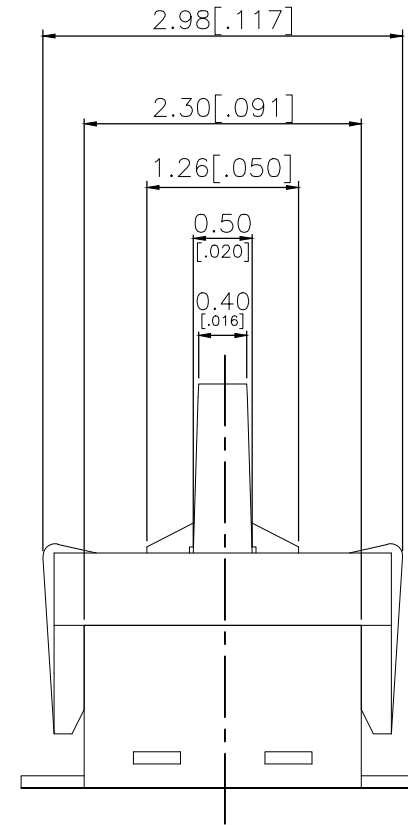
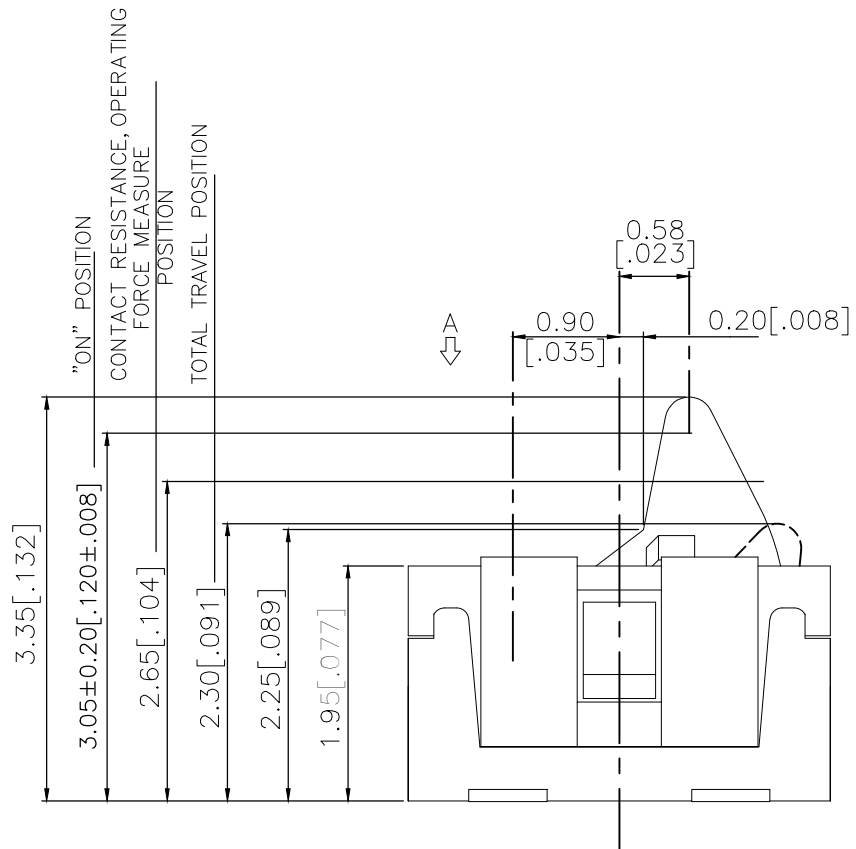
REVISIONS

P	LTR	DESCRIPTION	DATE	DWN	APVD
	A	ECR-18-012767	14AUG2018	RSM	AS

2331379-1  
AS SHOWN

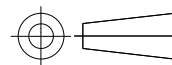


P.C.B. LAYOUT  
(VIEW FROM THE DIRECTION A)



THIS DRAWING IS A CONTROLLED DOCUMENT.

DIMENSIONS:  
mm [INCHES]



TOLERANCES UNLESS OTHERWISE SPECIFIED:

0 PLC	± -
1 PLC	± -
2 PLC	± 0.30 [.012]
3 PLC	± -
4 PLC	± -
ANGLES	± -

MATERIAL

FINISH

DWN 07MAR2018

GANESH C M

CHK 07MAR2018

ALEXANDER SHARPE

APVD 07MAR2018

ALEXANDER SHARPE

PRODUCT SPEC

APPLICATION SPEC

WEIGHT



TE Connectivity Ltd.

NAME  
SWITCH, DETECTOR, JJB SERIES, 3.5X2.98mm,  
VERTICAL, SMT

SIZE CAGE CODE DRAWING NO RESTRICTED TO

A3 00779 C-2331379

CUSTOMER DRAWING

SCALE NTS

SHEET 1 of 3

REV A

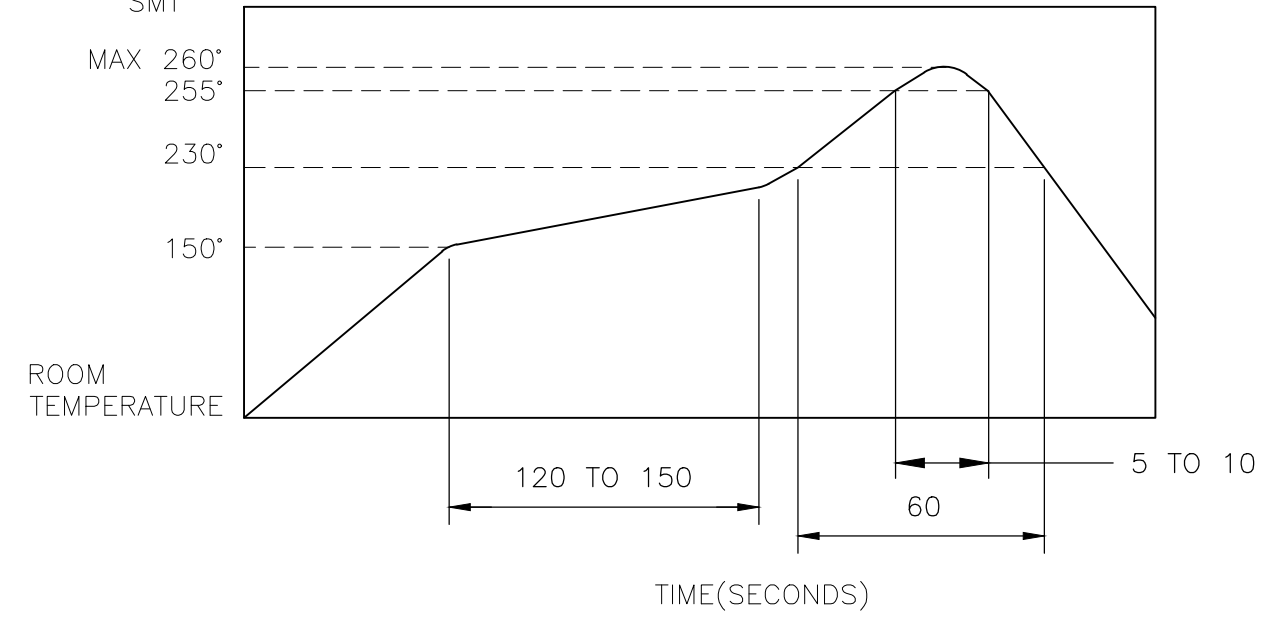
THIS DRAWING IS UNPUBLISHED. RELEASED FOR PUBLICATION  
 © COPYRIGHT - TE Connectivity Ltd. ALL RIGHTS RESERVED.

REVISIONS					
P	LTR	DESCRIPTION	DATE	DWN	APVD
-	-	SEE SHEET 1	-	-	-

NOTES:

- MATERIALS**  
 ACTUATOR: THERMOPLASTIC, BLACK  
 BODY: THERMOPLASTIC, BLACK  
 COVER: THERMOPLASTIC, BLACK  
 TERMINAL: COPPER ALLOY, SILVER PLATE  
 CONTACT: STAINLESS STEEL, SILVER PLATE
- COMPLIANCE:**  
 ALL MATERIALS AND FINISHES SHALL COMPLY WITH EU DIRECTIVE 2002/95/EC OF 27JAN2003(RoHS)
- SPECIFICATIONS:**  
 RATING: 1mA 20mV DC TO 100mA 5V DC  
 CONTACT RESISTANCE: 500mΩ MAXIMUM(INITIAL)  
 INSULATION RESISTANCE: 100MΩ MINIMUM AT 250V DC  
 DIELECTRIC STRENGTH: 250V AC, 1 MINUTE  
 OPERATING LIFE: 80,000 CYCLES WITH LOAD  
 TOTAL TRAVEL: 1.05 [.041]  
 ACTUATION FORCE: 35gf MAXIMUM  
 OPERATING TEMPERATURE: -15°C TO 70° C  
 STORAGE TEMPERATURE: -40°C TO 85° C

4 SOLDER CONDITIONS :



THE CONDITION MENTIONED ABOVE IS THE TEMPERATURE ON THE CU FOIL OF THE PCB SURFACE. THERE ARE CASES WHERE THE BOARD'S TEMPERATURE GREATLY DIFFERS FROM THE SWITCH'S SURFACE. DO NOT ALLOW SWITCH'S SURFACE TEMPERATURE TO EXCEED 260 °C

MANUAL SOLDERING

SOLDERING TEMPERATURE	350°C±5°C.
CONTINUOUS SOLDERING TIME	3±0.5 SECONDS.

PRECAUTIONS IN HANDLING

- CARE SHOULD BE EXERCISED SO THAT FLUX FROM THE UPPER PART OF THE PRINTED CIRCUIT BOARD DOES NOT ADHERE TO THE SWITCH.

JJBVOUG335NONPRTR	2331379-1
SMART PART NUMBER	PART NUMBER

THIS DRAWING IS A CONTROLLED DOCUMENT.		DWN 07MAR2018 GANESH C M	TE Connectivity Ltd.														
DIMENSIONS: mm [INCHES]		CHK 07MAR2018 ALEXANDER SHARPE															
TOLERANCES UNLESS OTHERWISE SPECIFIED:		APVD 07MAR2018 ALEXANDER SHARPE	NAME SWITCH, DETECTOR, JJB SERIES, 3.5X2.98mm, VERTICAL, SMT														
<table border="1"> <tr><td>0 PLC</td><td>± -</td></tr> <tr><td>1 PLC</td><td>± -</td></tr> <tr><td>2 PLC</td><td>± 0.30 [.012]</td></tr> <tr><td>3 PLC</td><td>± -</td></tr> <tr><td>4 PLC</td><td>± -</td></tr> <tr><td>ANGLES</td><td>± -</td></tr> </table>		0 PLC	± -	1 PLC	± -	2 PLC	± 0.30 [.012]	3 PLC	± -	4 PLC	± -	ANGLES	± -	PRODUCT SPEC	SIZE		
0 PLC	± -																
1 PLC	± -																
2 PLC	± 0.30 [.012]																
3 PLC	± -																
4 PLC	± -																
ANGLES	± -																
MATERIAL		APPLICATION SPEC	CAGE CODE	DRAWING NO	RESTRICTED TO												
FINISH		WEIGHT	A300779	C-2331379	-												
CUSTOMER DRAWING			SCALE	SHEET	REV												
			NTS	2 OF 3	A												

THIS DRAWING IS UNPUBLISHED.

RELEASED FOR PUBLICATION

© COPYRIGHT - TE Connectivity Ltd.

ALL RIGHTS RESERVED.

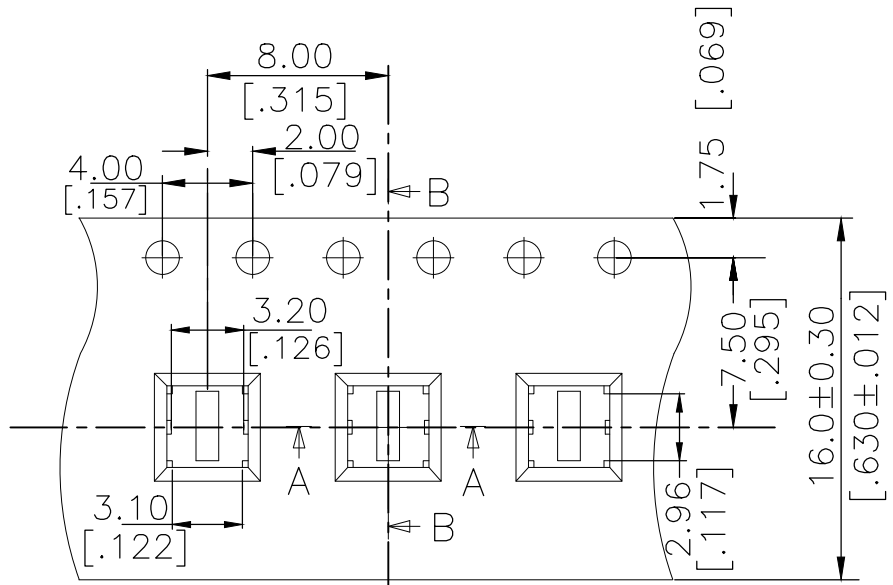
REVISIONS

P	LTR	DESCRIPTION	DATE	DWN	APVD
-	-	SEE SHEET 1	-	-	-

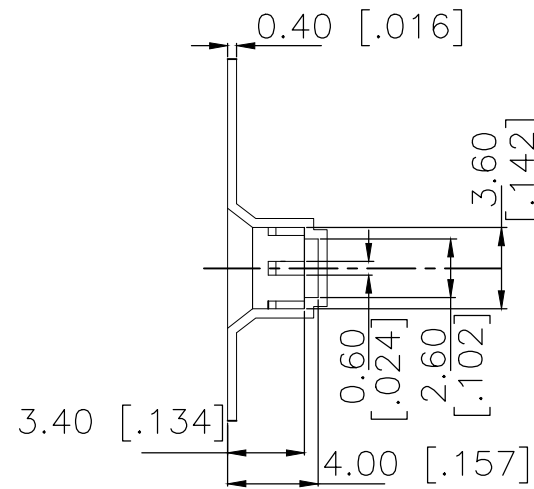
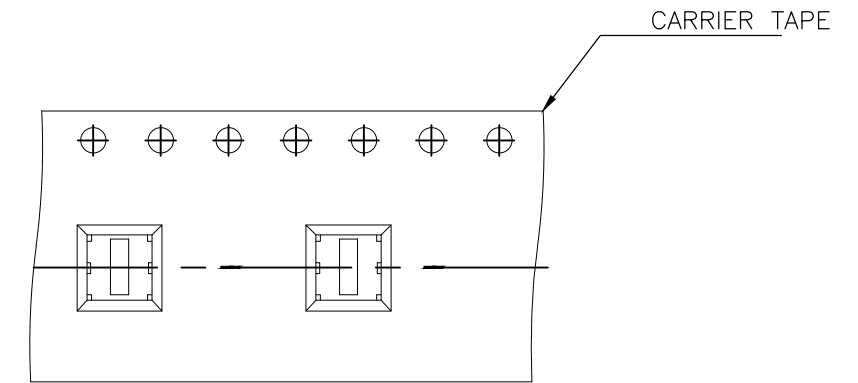
PACKAGING:

2000 SWITCHES PER REEL

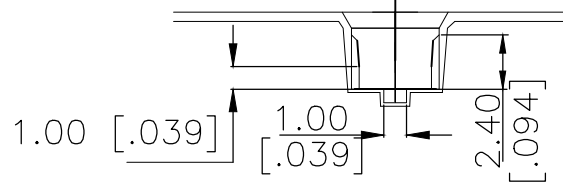
THE DIMENSION OF CARRIER TAPE, COVER TAPE AND REEL



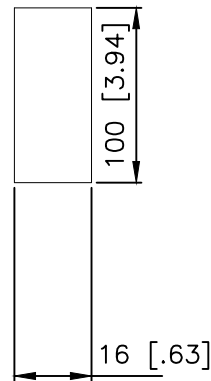
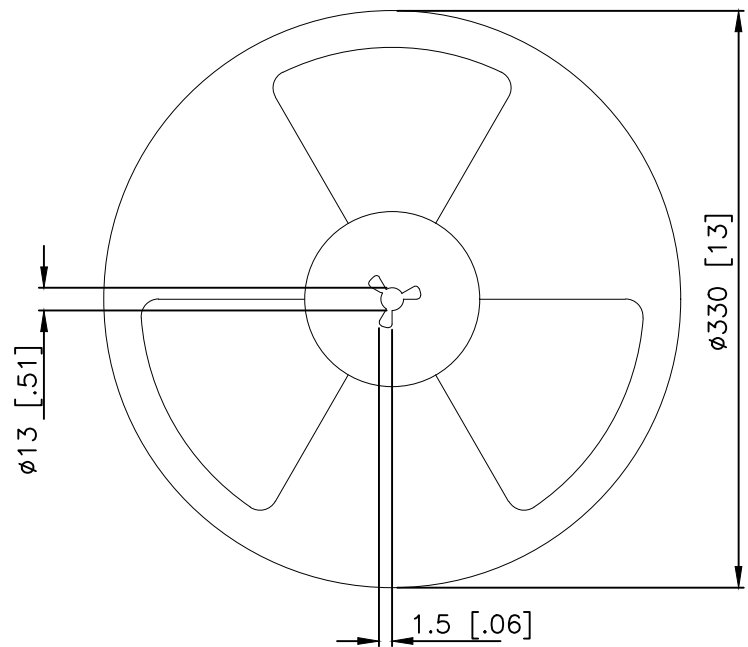
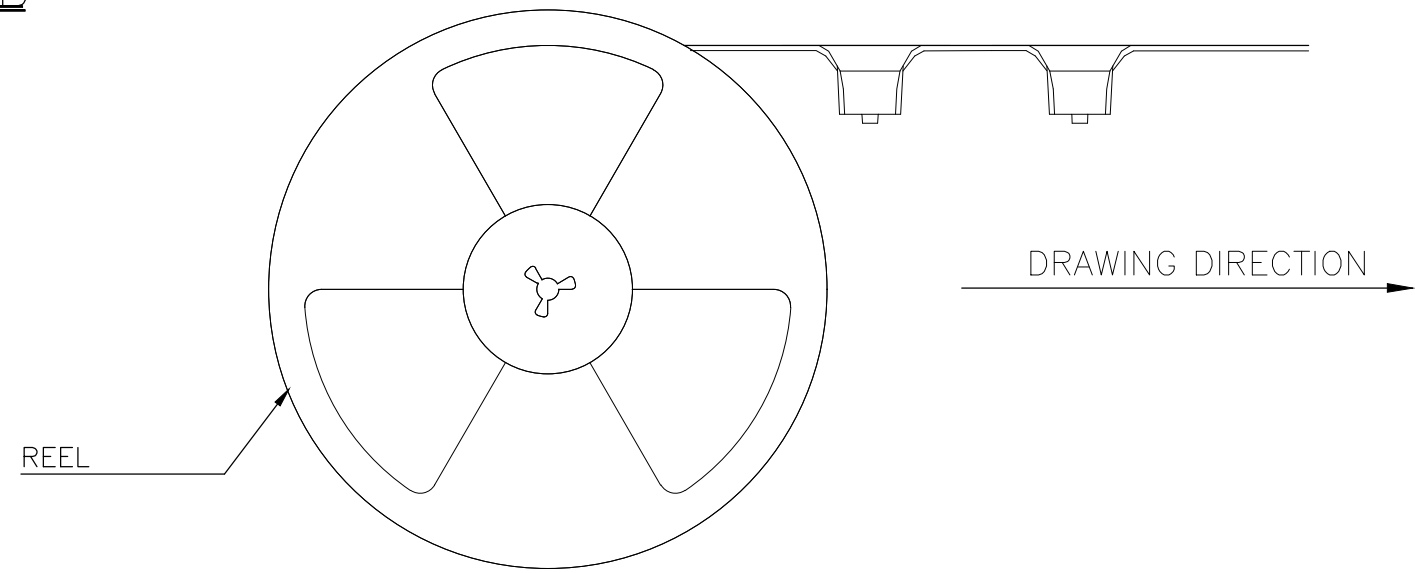
THE DIRECTION OF PILOT HOLES



Section B-B



Section A-A



THIS DRAWING IS A CONTROLLED DOCUMENT.		DWN GANESH C M 07MAR2018	TE Connectivity Ltd.		
DIMENSIONS: mm [INCHES]		CHK ALEXANDER SHARPE 07MAR2018			
TOLERANCES UNLESS OTHERWISE SPECIFIED:		APVD ALEXANDER SHARPE 07MAR2018	SWITCH, DETECTOR, JJB SERIES, 3.5X2.98mm, VERTICAL, SMT		
0 PLC ± - 1 PLC ± - 2 PLC ± 0.30 [.012] 3 PLC ± - 4 PLC ± - ANGLES ± -		PRODUCT SPEC -	RESTRICTED TO -		
MATERIAL -		APPLICATION SPEC -	SIZE A3	CAGE CODE 00779	DRAWING NO C-2331379
FINISH -		WEIGHT -	SCALE NTS		SHEET 3 of 3
CUSTOMER DRAWING			REV A		