

Model No: TC8FD02-04
Product Line: Tymphany

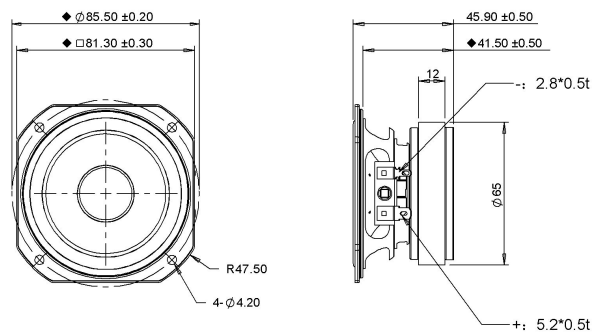
Rev: 1
Last Update: 2017-03-03 01:40:16

Product Description

TC woofer, 3 inch, paper cone, ferrite motor, steel basket, 4 ohm, replaced by TC8FD05-04



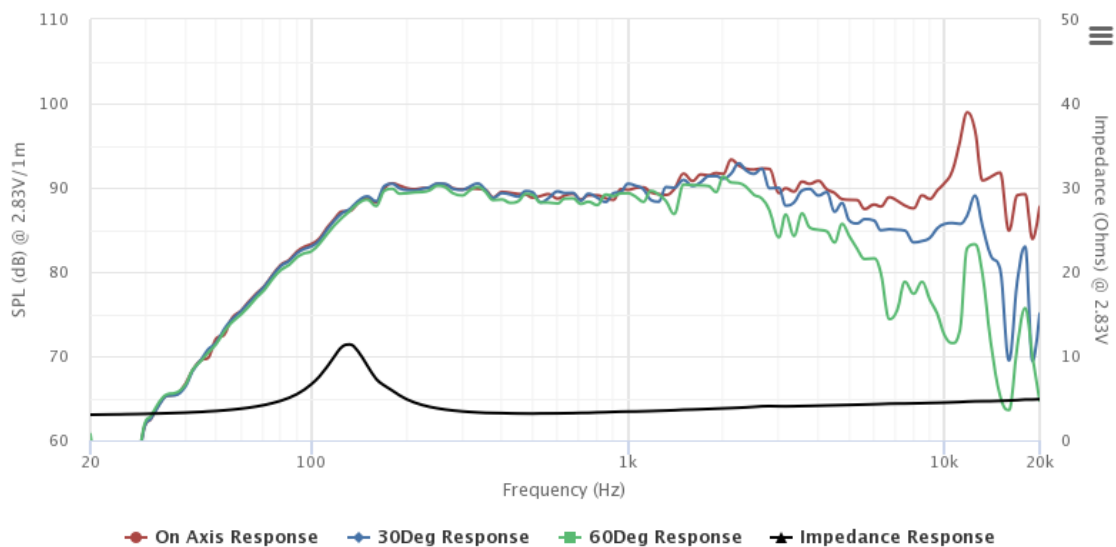
Mechanical Drawing



Specifications

DC Resistance	Revc	Ohms	2.81	5.0%	Energy Bandwidth Product	EBP	(1/Qes)*fs
Minimum Impedance	Zmin	Ohms	3.18	7.5%	Moving Mass	Mms	g
Voice Coil Inductance	Le	mH	0.02		Suspension Compliance	Cms	um/N
Resonant Frequency	Fs	Hz	169.95	15%	Effective Cone diameter	D	cm
Mechanical Q Factor	Qms		3.79		Effective Piston Area	Sd	cm ²
Electrical Q Factor	Qes		1.16		Effective Volume	Vas	L
Total Q Factor	Qts		0.89		Motor Force Factor	BL	Tm
Ratio Fs/Qts	F	Fs/Qts	191.38		Motor Efficiency Factor	β	(T*M ²)/Ohms
Half Space Sensitivity @2.83V	db@2.83V/1M	dB	89.11	+/- 1.0db	Voice coil former Material	VCfm	ASV
Half Space Sensitivity @1W/1M	db@1W/1M	dB	85.1	+/- 1.0db	Voice coil inner diameter	VCd	mm
Gap Height	Gh	mm	4		Rated Noise Power	P	W
Maximum Linear Excursion	Xmax	mm	1.6		Test Spectrum Bandwidth		120HZ-20KHZ
Ferrofluid Type	FF				Driver Size	Inch	3 in
Driver Mass	Kg		0.33				

Frequency and Impedance Response



Highcharts.com