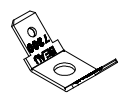
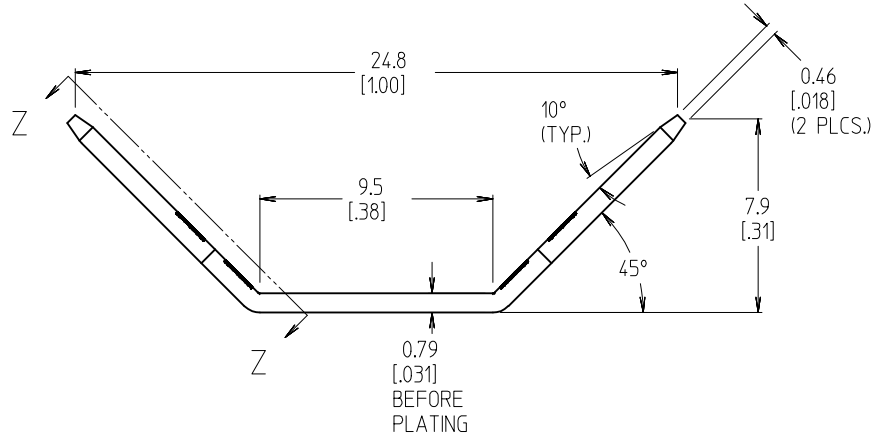
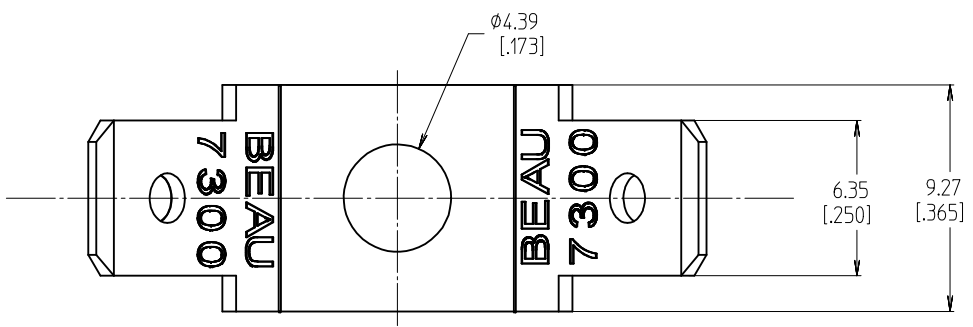
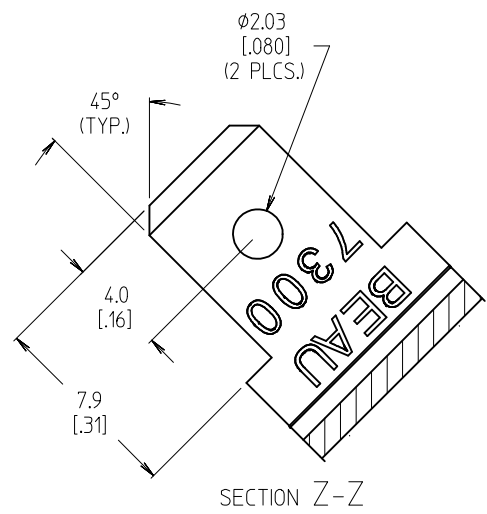


10 9 8 7 6 5 4 3 2 1



- NOTES:
1. MATERIAL: BRASS
  2. FINISH: TIN PLATE
  3. INCH DIMENSIONS SHOWN IN BRACKETS [XXX].
  4. PART IS ROHS COMPLIANT.

INITIAL RELEASE EC NO: WNAZ009-0043 DRW:CLYORK 2008/09/22 CHKD:RDEROSS 2008/09/22 APPR:RDEROSS 2008/09/23	QUALITY SYMBOLS ▽=0 ▽=0	GENERAL TOLERANCES (UNLESS SPECIFIED)		DIMENSION STYLE MM/IN		SCALE 1:1	DESIGN UNITS INCH	THIRD ANGLE PROJECTION			
		4 PLACES ± --- ± .0015	3 PLACES ± 0.038 ± .005	2 PLACES ± 0.13 ± .01	1 PLACE ± 0.3 ± ---	ANGULAR ± 2 °	DRAWN BY C. YORK	DATE 2006/03/29	TITLE TERMINAL, FT, SL SL, CATALOG# 7311		
		DRAFT WHERE APPLICABLE MUST REMAIN WITHIN DIMENSIONS					CHECKED BY R. DEROSS	DATE 2006/03/29	APPROVED BY R. DEROSS		
		MATERIAL NO. 380021335		DOCUMENT NO. SD-38002-044		SHEET NO. 1 OF 1		MOLEX INCORPORATED			
THIS DRAWING CONTAINS INFORMATION THAT IS PROPRIETARY TO MOLEX INCORPORATED AND SHOULD NOT BE USED WITHOUT WRITTEN PERMISSION											

9 8 7 6 5 4 3 2 1