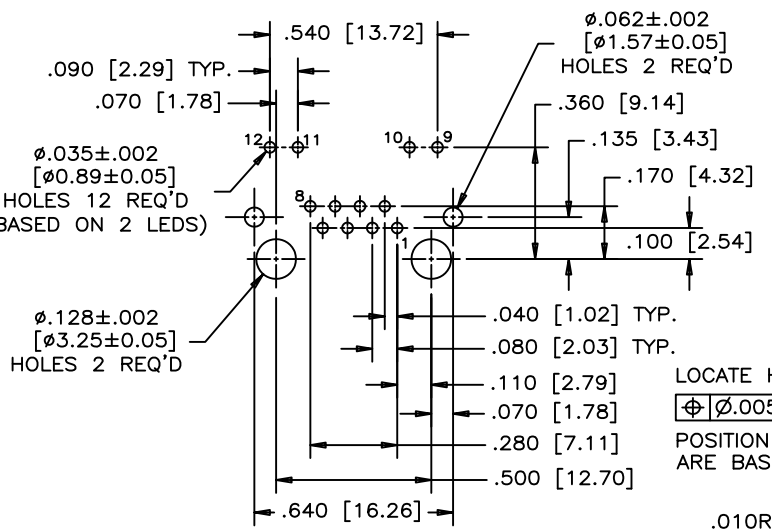
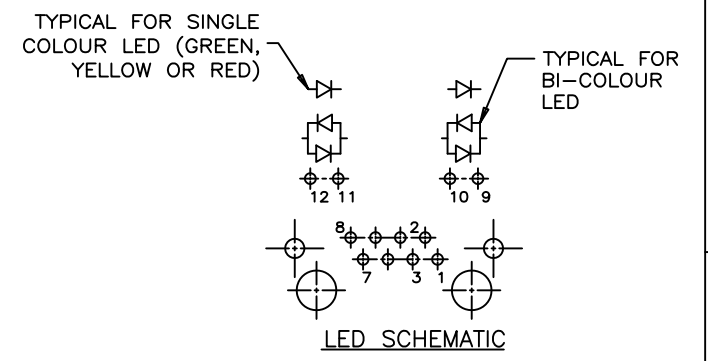
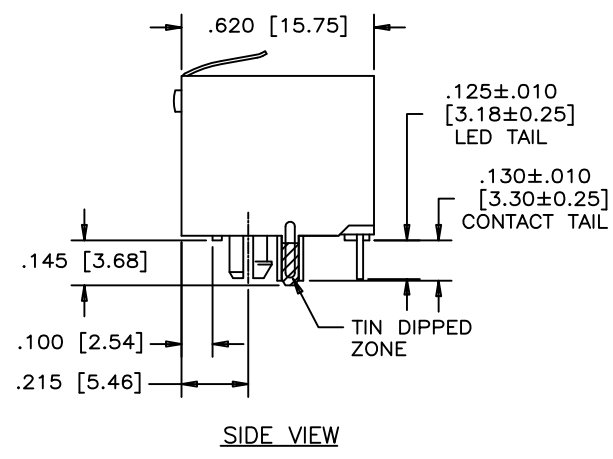
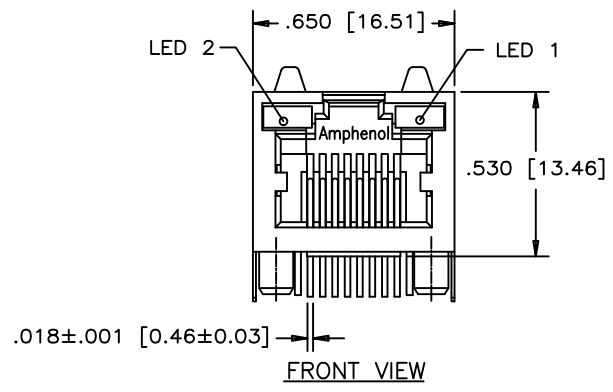
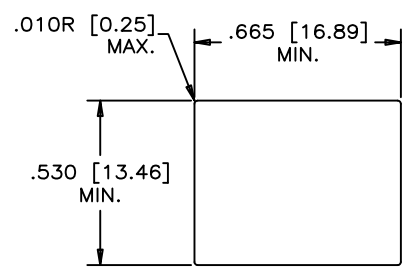


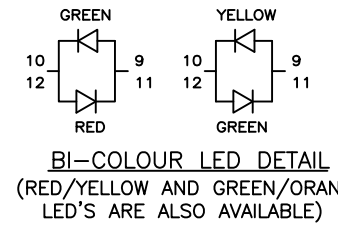
REVISIONS				
SYM	ZONE	ECN, ERN NO.	DATE	APPRD.
B		PROPOSAL	12/29/2005	LCHAN
C		PROPOSAL	02/21/2012	LCHAN



LOCATE HOLES
 $\phi \pm 0.005$ [0.13]
 POSITION DIMENSIONS ARE BASIC



MATERIALS:
 PLASTIC HOUSING: HIGH ENGINEERING THERMOPLASTIC
 FLAMMABILITY RATING UL 94V-0
 CONTACTS: PHOSPHOR BRONZE
 PLATING: 50 μ" [1.27 MICRONS]
 MIN. GOLD ON MATING SURFACES.
 50 μ" [1.27 MICRONS]
 MIN. NICKEL UNDERPLATE
 100 μ" [2.54 MICRONS]
 MIN. MATTE TIN ON CONTACT TAILS.
 SHIELD: STAINLESS STEEL WITH TIN DIP ON SOLDER TAIL



AMPHENOL PART NUMBER: RJHSE-538X-A1X
 REFER TO LED OPTIONS DRAWING FOR ORDERING CODES

THIS DOCUMENT CONTAINS PROPRIETARY INFORMATION AND SUCH INFORMATION MAY NOT BE DISCLOSED TO OTHERS FOR ANY PURPOSE OR USED FOR MANUFACTURING PURPOSES WITHOUT WRITTEN PERMISSION FROM AMPHENOL CANADA CORP.

DRAWN PAULW	DATE 05/12/29	Amphenol Canada Corp.			
DESIGNED					
CHECKED CHIGOW	DATE 05/12/29	TITLE SINGLE PORT HIGH SPEED MODULAR JACK CONNECTOR, SHIELDED WITH LED'S .130" LONG CONTACT TAILS-RoHS COMPLIANT			
I. E. APPRD.					
Q. A. APPRD.		DWG DRAWING NO. P-RJHSE-538X-A1X			
DWG. APPRD.					
ENG. REL. NO.		SCALE	WT.	SURF.	SHEET 1 OF 1
REF.		CODE ID. NO. 03554			REV. C