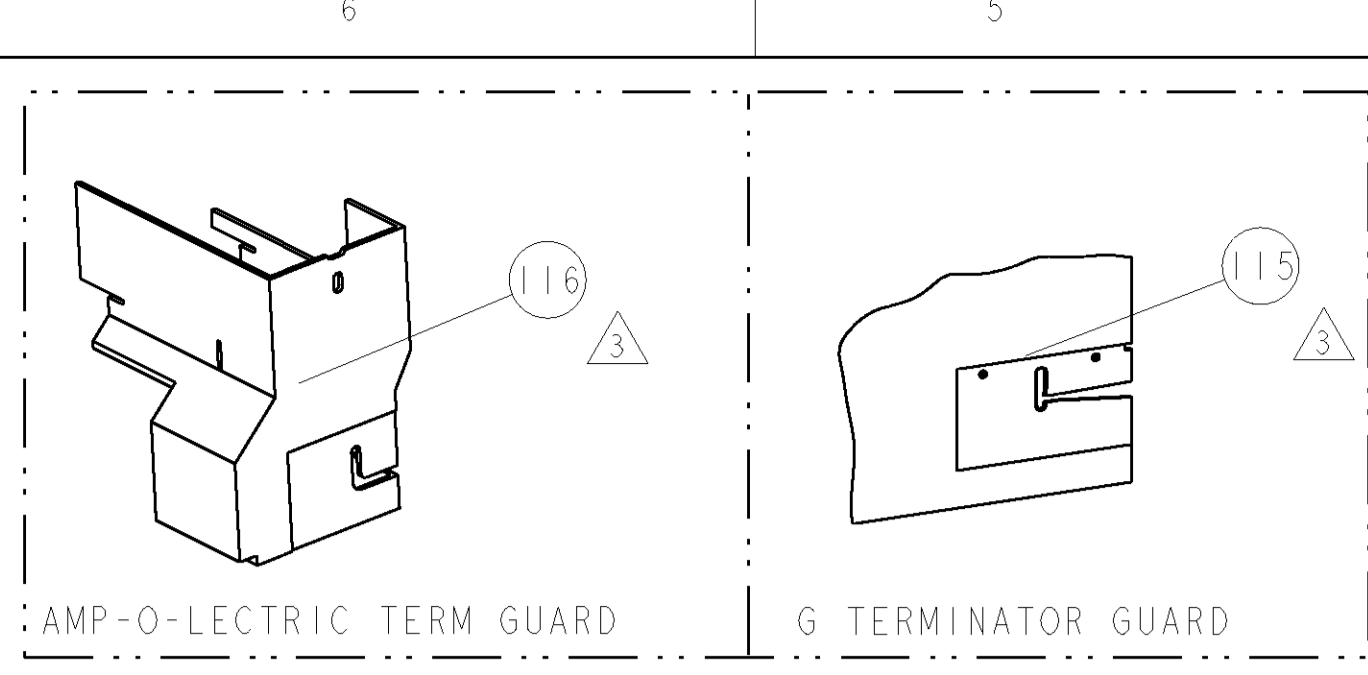


PART NUMBER	REV	FIRST USED	POWER UNIT	FEED TYPE	DESCRIPTION
1855264-1	A	122500-1	LEADMAKER	POST FEED	CUTS CARRIER
1855264-2	A	565435-5	BENCH MODEL K	PRE FEED	CUTS CARRIER
1855264-3	A	354500-1	BENCH MODEL G	PRE FEED	CUTS CARRIER
1855264-6	A	122500-1	LEADMAKER	POST FEED	CONTINUOUS CARRIER
7-1855264-7	A	-	-	-	SPARE PARTS

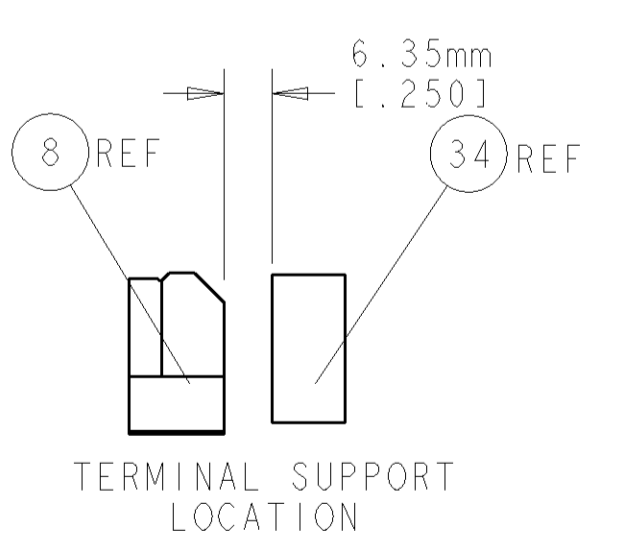
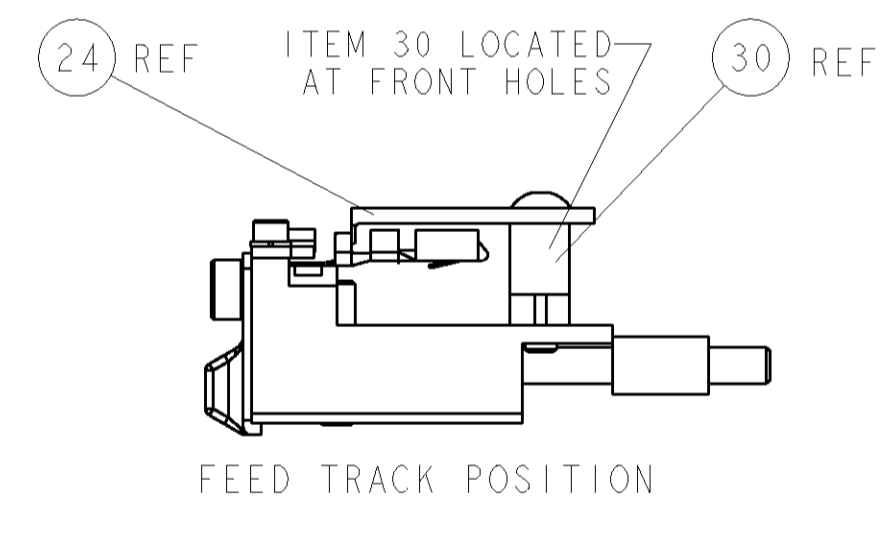
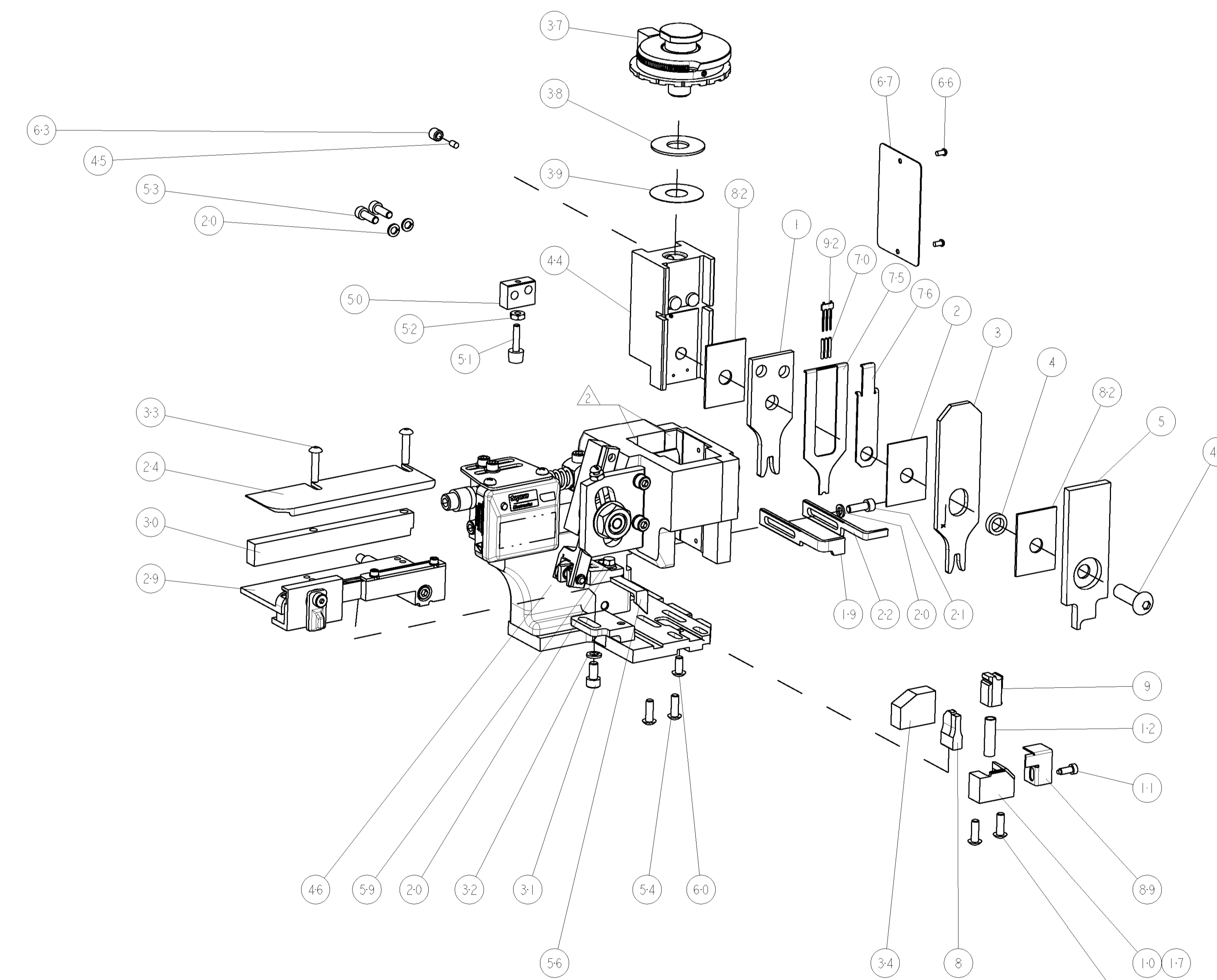


TERMINAL NAME: FEMALE METRI-PACK 280			
TYCO PN	PACKARD PN	PACKARD TERMINAL - PACKARD CRIMP SPECS	
1949343	12059284	CRIMP HEIGHT	WIRE SIZE
-	-	2.15±0.05mm [.085±.002]	3mm ²
-	-	-	-
-	-	-	-
-	-	-	-
-	-	CRIMP	SIZE
-	-	WIRE	3.61mm [.142]
-	-	INSUL	3.56mm [.140]
-	-	FEED	1.5.3mm
-	-	APPLICATOR INSTRUCTIONS	408-8040
-	-	SET UP GAGE	458637-1
WIRE STRIP LENGTH	TERM APPL SPEC	APPLICATOR INSTRUCTIONS	
5.2 - 6.0mm	NONE	408-8040	

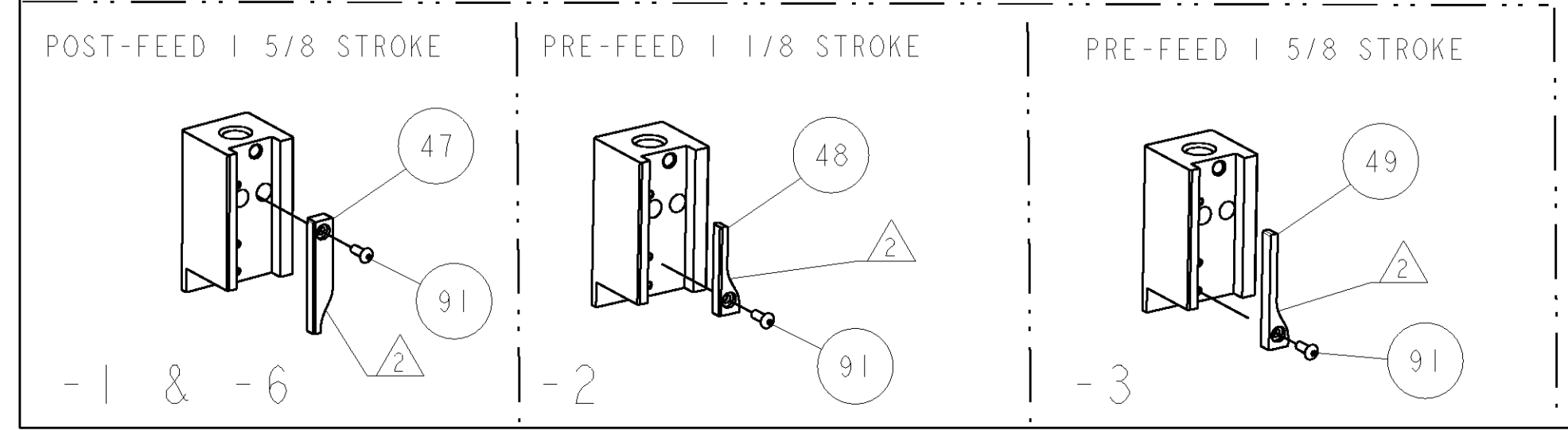
LOC	DIST	REV	DESCRIPTION	DATE	BY	APPD
A	66	A	RELEASED	27APR2007	LG	GB

- △ RECOMMENDED SPARE PARTS
- △ GREASE LIGHTLY
- △ GUARD MUST BE IN PLACE WHEN OPERATING APPLICATOR IN A BENCH MACHINE

*** WARNING**
ON INSTALLATION, SET WIRE DISC TO LARGEST WIRE SIZE SETTING. USE OF SETTINGS BELOW MIN. REQUIRED CRIMP HEIGHT SETTING WILL CAUSE DAMAGE TO CRIMP TOOLING.



QTY	REF	DESCRIPTION	ITEM NO
-	-	455749-1 GUARD WINDOW	116
-	REF	679532-1 INSERT, GUARD	115
-	1	1424350-1 HOLDER, PIN, WIRED	92
-	1	1-21002-7 SCR, BTN SKT HD CAP 6-32 X .375	91
-	1	318563-1 GUARD, FRONT CHIP	89
-	1	1-455888-0 SPACER, CRIMPER	82
-	1	1490524-2 DEPRESSOR, SPACER	76
-	1	1490525-2 DEPRESSOR, WIRE	75
-	1	4088040 SF APPL INST 408-8040	72
-	1	217238-1 GENERAL INSTRUCTION PKG	71
-	3	2-23147-2 SPRING, COMPRESSION	70
-	1	461264-5 PLATE, IDENTIFICATION	67
-	2	21017-2 SCREW, DRIVE	66
-	1	21009-2 SCR, SET, SELF LOCKING 1/4-20 X .250	63
-	1	22733-8 SCR, BHSC, SELF-LOCKING, 8-32 X .375	60
-	1	2-22603-0 SCR, HEX HD CAP 8-32 X .312	59
-	1	458537-2 PAWL, FEED	56
-	4	2-21002-2 SCR, BTN SKT HD CAP 8-32 X .500	54
-	2	2-21000-7 SCR, SKT HD CAP 8-32 X .500	53
-	1	21018-5 NUT, HEX, REG 6-32	52
-	1	811242-2 BUMPER, HOLD DOWN	51
-	1	690753-1 SPACER, TONKER	50
-	-	690602-6 CAM, PRE FEED, 1 5/8	49
-	-	690602-5 CAM, PRE FEED, 1 1/8	48
-	1	690501-4 CAM, POST FEED, 1 5/8	47
-	1	459456-1 APPL. BASIC SUB ASSY (SIDE WISE MOCA)	46
-	1	690191-1 PLUG, NYLON	45
-	1	1-819307-8 RAM, SIDE FEED	44
-	1	7-21002-9 SCR, BTN SKT HD CAP 5/16-24 X 1.00	41
-	1	690125-1 SHIM SUB-ASSY	39
-	1	1-469367-1 SHIM	38
-	1	879103-2 FINE ADJUST HEAD ASSEMBLY	37
-	1	TERMINAL SUPPORT	34
-	2	2-21002-4 SCR, BTN SKT HD CAP 8-32 X .750	33
-	1	21024-5 WASHER, SPRG LOCK, REG NO 10	32
-	1	3-21000-4 SCR, SKT HD CAP 10-32 X .375	31
-	1	SPACER, STRIP GUIDE	30
-	1	1633091-1 ASSEMBLY, STRIP GUIDE	29
-	1	1-455888-0 SPACER, CRIMPER	28
-	1	1320928-1 PLATE, STRIP GUIDE	24
-	1	690472-2 STRIPPER	22
-	1	2-21000-7 SCR, SKT HD CAP 8-32 X .500	21
-	4	21024-4 WASHER, SPRG LOCK, REG NO 8	20
-	1	691353-1 STRIPPER	19
△	1	679625-1 SHEAR HOLDER, FRONT (NO CUT)	17
△	1	3-22280-3 SPRING, COMPRESSION	12
△	1	690461-1 STOP, SHEAR	11
△	-	690459-1 SHEAR HOLDER, FRONT	10
△	1	462006-1 FLOATING SHEAR, FRONT	9
△	1	1-1633535-8 ANVIL, COMBINATION	8
△	1	1-455889-4 DEPRESSOR, SHEAR	5
△	1	238011-2 BLOCK, CRIMPER SPACER	4
△	1	6-683453-9 CRIMPER, INSULATION PREMIUM	3
△	1	455888-5 SPACER, CRIMPER	2
△	1	1-1673600-5 CRIMPER, WIRE	1



QTY	REF	DESCRIPTION	ITEM NO					
-77	-6	-3	-2	-1	U/M	PART NO	DESCRIPTION	ITEM NO