



# STEVAL-MKI031V1

## Multi sensor application (MuSA) board platform

Data brief

### Features

- Multi pole connector for platform expansion using sensor-specific modules
- 4 buttons for menu navigation
- 128 x 64 pixel, black and white LCD
- Piezoelectric buzzer
- MicroSD socket for data logging applications
- RoHS compliant

### Description

The STEVAL-MKI031V1 MuSA (multi sensor application board) platform is intended to demonstrate the performance and possible uses of MEMS devices.

The MuSA platform is based on an ST7 8-bit microcontroller, which manages the output signals from the MEMS accelerometer.

The platform comes with the LIS331DLH pre-installed on the board, but can support any digital-output accelerometer from ST in 3x3 or 3x5 mm packages connected to the microcontroller through an SPI interface, as well as the LIS344ALH analog-output accelerometer.

The MuSA platform features four buttons for navigating the menus. A mini-USB connector is available to exchange data with a PC, depending on the specific application, and also recharges the internal Li-ion battery. The battery is capable of providing power for approximately 7 hours of operation.

A USB interface is available for firmware upgrades (DFU), and for exchanging data with user-developed software running on a host PC.



# 1 Schematic diagrams

Figure 1. ST7 microcontroller

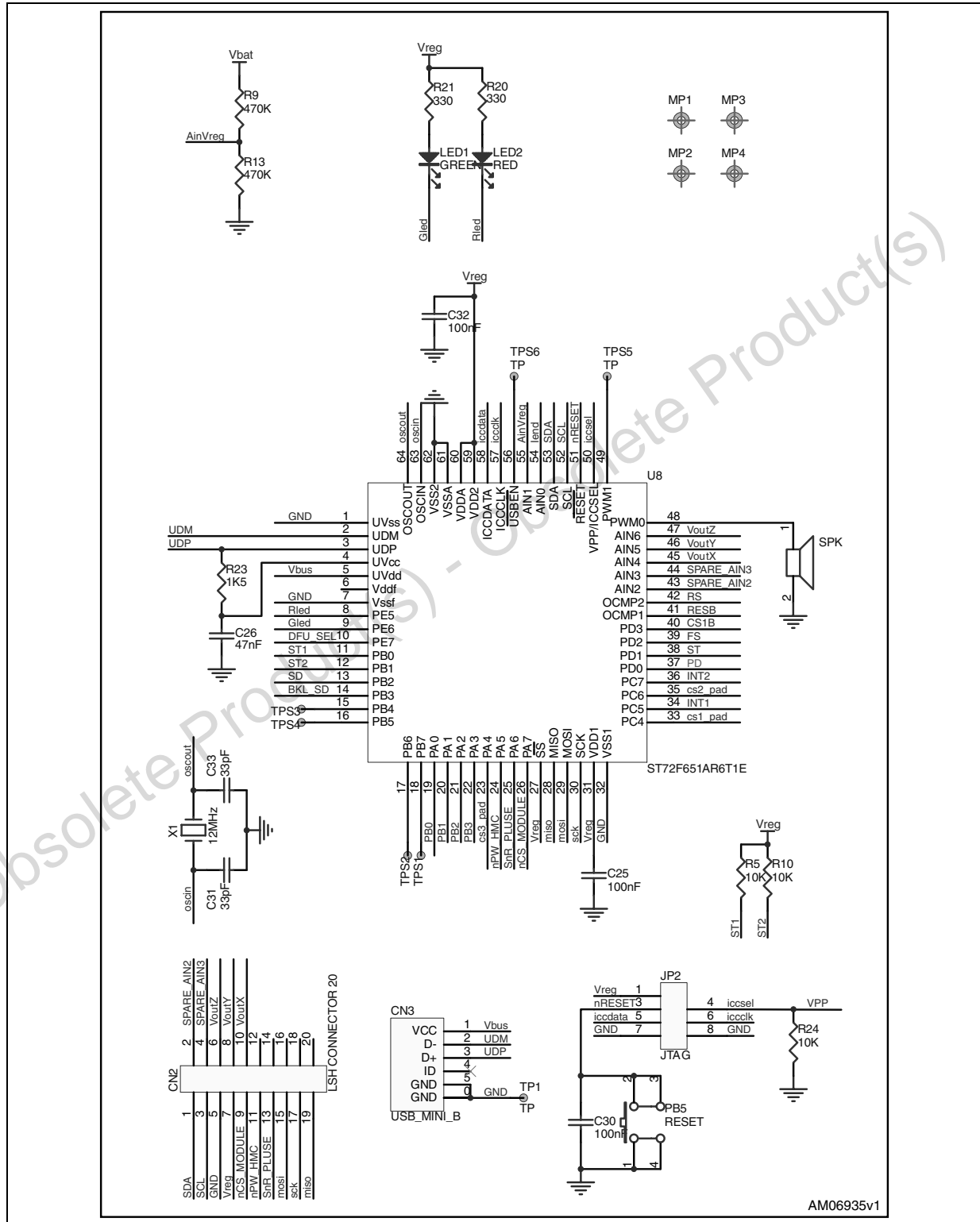
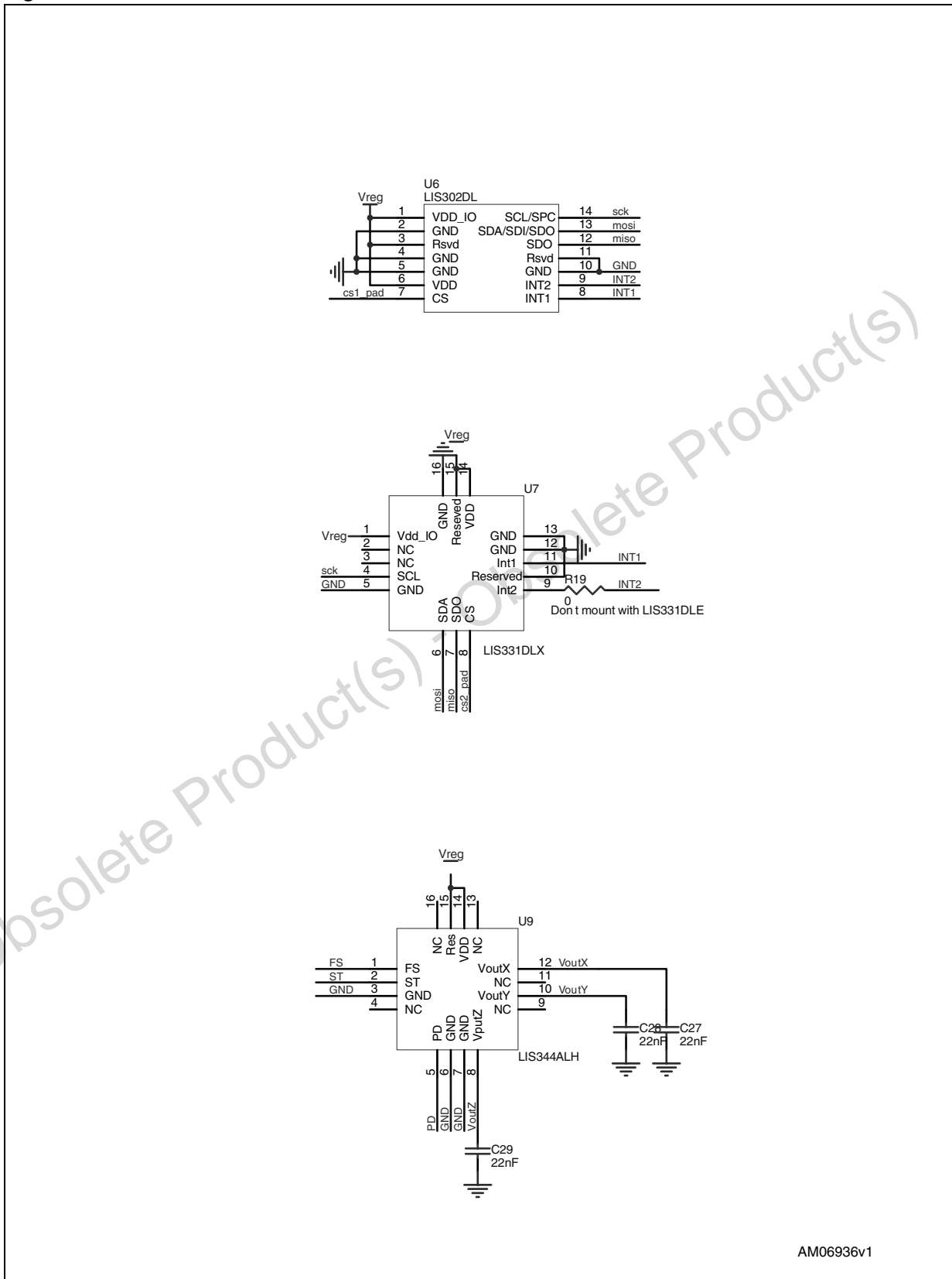


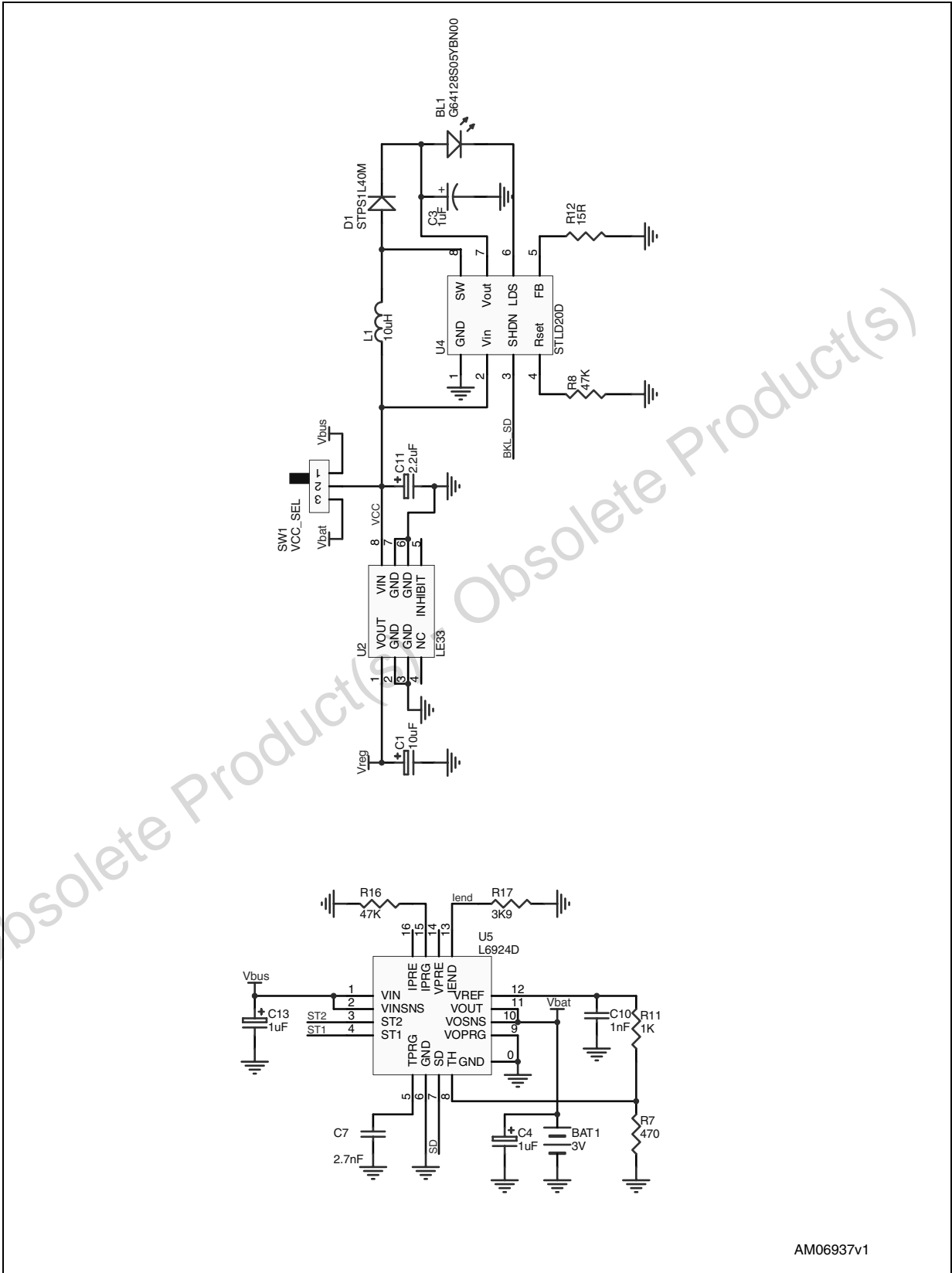
Figure 2. Accelerometers



AM06936v1

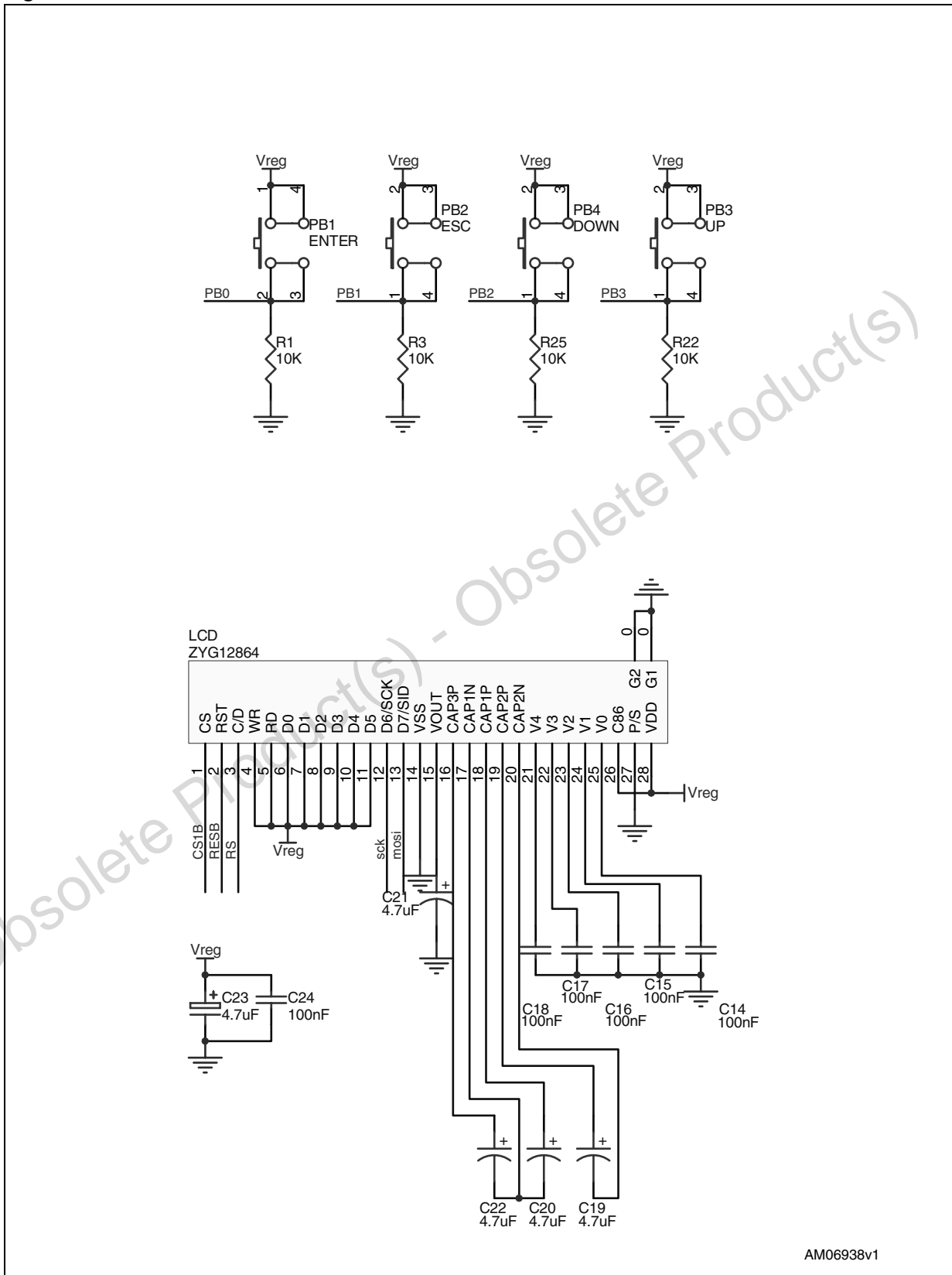


Figure 3. Power supply



AM06937v1

Figure 4. LCD



AM06938v1

Figure 5. MicroSD

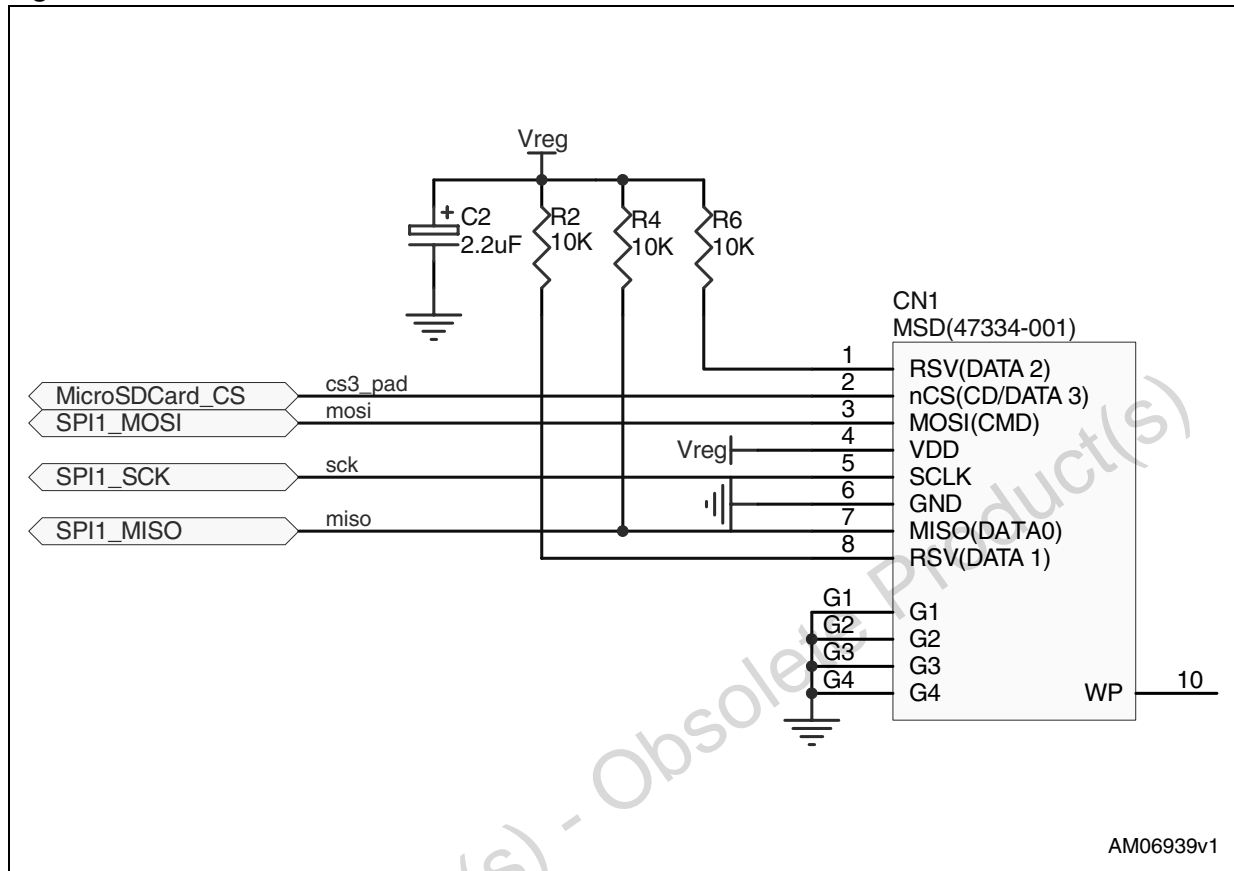
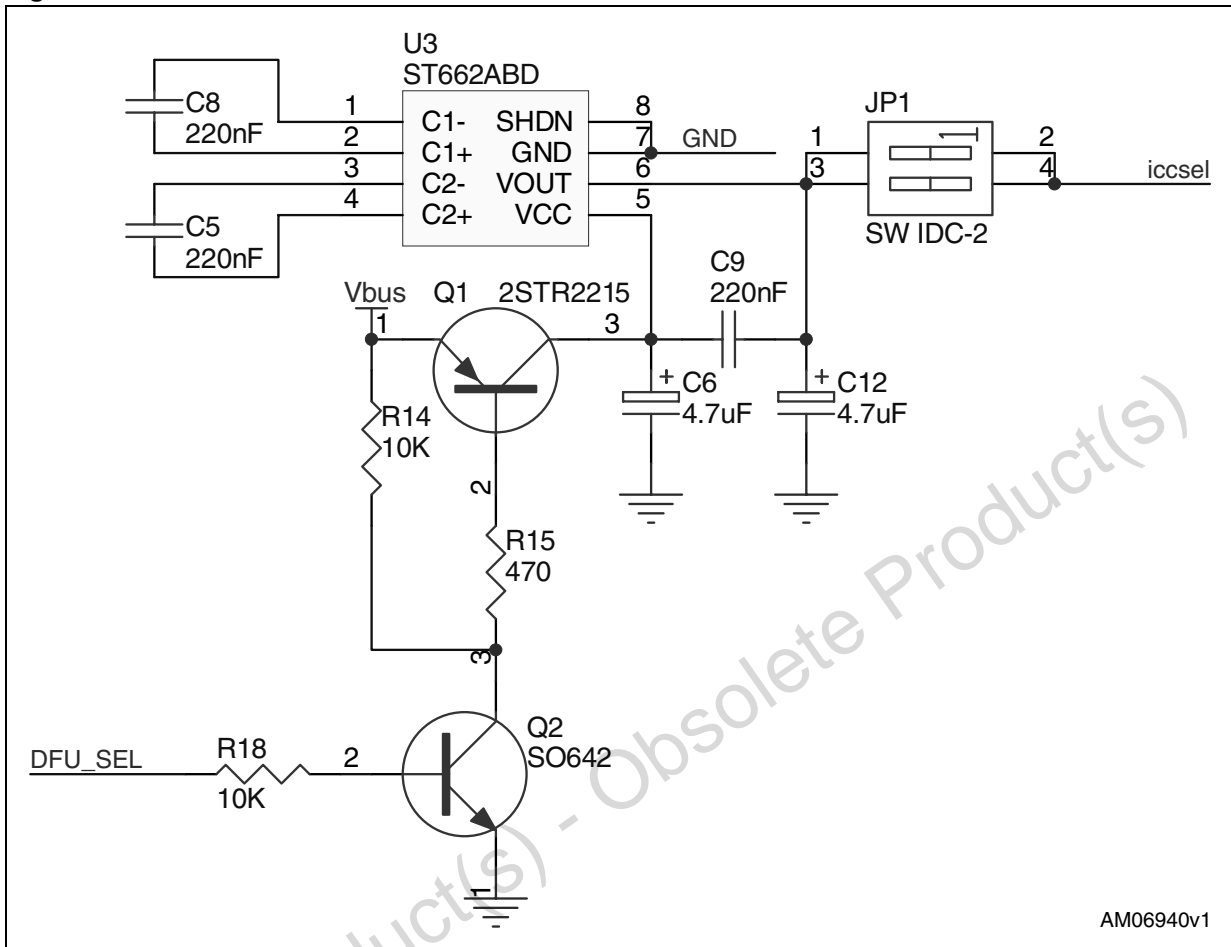


Figure 6. DFU



AM06940v1

Obsolete Product(s) - Obsolete Product(s)

## 2 Revision history

Table 1. Document revision history

Date	Revision	Changes
16-Sep-2010	1	Initial release.

Obsolete Product(s) - Obsolete Product(s)



**Please Read Carefully:**

Information in this document is provided solely in connection with ST products. STMicroelectronics NV and its subsidiaries ("ST") reserve the right to make changes, corrections, modifications or improvements, to this document, and the products and services described herein at any time, without notice.

All ST products are sold pursuant to ST's terms and conditions of sale.

Purchasers are solely responsible for the choice, selection and use of the ST products and services described herein, and ST assumes no liability whatsoever relating to the choice, selection or use of the ST products and services described herein.

No license, express or implied, by estoppel or otherwise, to any intellectual property rights is granted under this document. If any part of this document refers to any third party products or services it shall not be deemed a license grant by ST for the use of such third party products or services, or any intellectual property contained therein or considered as a warranty covering the use in any manner whatsoever of such third party products or services or any intellectual property contained therein.

**UNLESS OTHERWISE SET FORTH IN ST'S TERMS AND CONDITIONS OF SALE ST DISCLAIMS ANY EXPRESS OR IMPLIED WARRANTY WITH RESPECT TO THE USE AND/OR SALE OF ST PRODUCTS INCLUDING WITHOUT LIMITATION IMPLIED WARRANTIES OF MERCHANTABILITY, FITNESS FOR A PARTICULAR PURPOSE (AND THEIR EQUIVALENTS UNDER THE LAWS OF ANY JURISDICTION), OR INFRINGEMENT OF ANY PATENT, COPYRIGHT OR OTHER INTELLECTUAL PROPERTY RIGHT.**

**UNLESS EXPRESSLY APPROVED IN WRITING BY AN AUTHORIZED ST REPRESENTATIVE, ST PRODUCTS ARE NOT RECOMMENDED, AUTHORIZED OR WARRANTED FOR USE IN MILITARY, AIR CRAFT, SPACE, LIFE SAVING, OR LIFE SUSTAINING APPLICATIONS, NOR IN PRODUCTS OR SYSTEMS WHERE FAILURE OR MALFUNCTION MAY RESULT IN PERSONAL INJURY, DEATH, OR SEVERE PROPERTY OR ENVIRONMENTAL DAMAGE. ST PRODUCTS WHICH ARE NOT SPECIFIED AS "AUTOMOTIVE GRADE" MAY ONLY BE USED IN AUTOMOTIVE APPLICATIONS AT USER'S OWN RISK.**

Resale of ST products with provisions different from the statements and/or technical features set forth in this document shall immediately void any warranty granted by ST for the ST product or service described herein and shall not create or extend in any manner whatsoever, any liability of ST.

ST and the ST logo are trademarks or registered trademarks of ST in various countries.

Information in this document supersedes and replaces all information previously supplied.

The ST logo is a registered trademark of STMicroelectronics. All other names are the property of their respective owners.

© 2010 STMicroelectronics - All rights reserved

STMicroelectronics group of companies

Australia - Belgium - Brazil - Canada - China - Czech Republic - Finland - France - Germany - Hong Kong - India - Israel - Italy - Japan - Malaysia - Malta - Morocco - Philippines - Singapore - Spain - Sweden - Switzerland - United Kingdom - United States of America

[www.st.com](http://www.st.com)