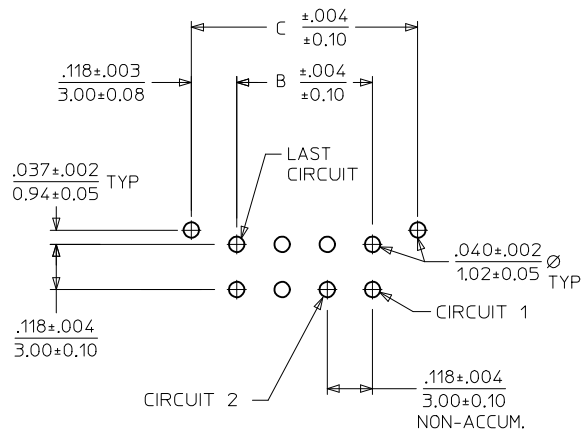
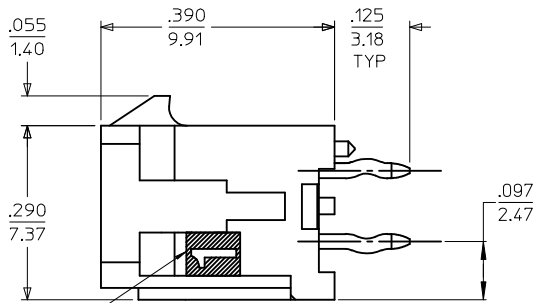
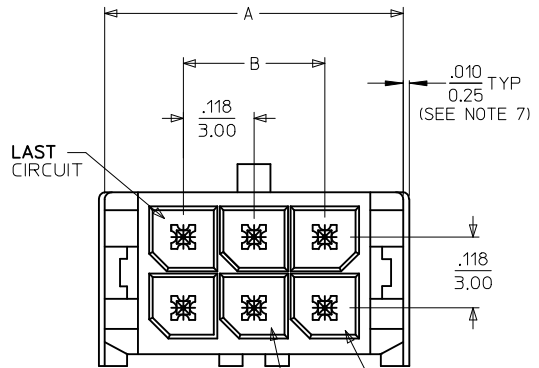


NOTE : (2) POLARIZATION PEGS ARE SHOWN. HOWEVER, ASSEMBLIES MAY BE MANUFACTURED WITH (1) PEG ONLY.



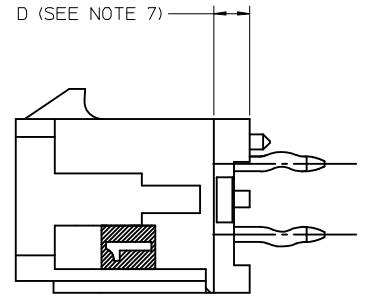
PCB LAYOUT: COMPONENT SIDE
RECOMMEND PCB THICKNESS: .062/1.57

CKTS	A	B	C
02	.262		.236
	6.65	NA	6.00
04	.380	.118	.354
	9.65	3.00	9.00
06	.498	.236	.472
	12.65	6.00	12.00
08	.616	.354	.591
	15.65	9.00	15.00
10	.734	.472	.709
	18.65	12.00	18.00
12	.852	.591	.827
	21.65	15.00	21.00
14	.970	.709	.945
	24.65	18.00	24.00
16	1.088	.827	1.063
	27.65	21.00	27.00
18	1.206	.945	1.181
	30.65	24.00	30.00
20	1.325	1.063	1.299
	33.65	27.00	33.00
22	1.443	1.181	1.417
	36.65	30.00	36.00
24	1.561	1.299	1.535
	39.65	33.00	39.00

NOTES:

- HOUSING MATERIAL: GLASS FILLED LIQUID CRYSTAL POLYMER, UL94V-0. COLOR: BLACK
TERMINAL MATERIAL: BRASS ALLOY
- FINISH:
A = .000060/(0.00152) MIN. REFLOWED MATTE TIN OVER .000050/(0.00127) MIN. NICKEL PLATE. (FINISH IS BRIGHT IN APPEARANCE, THICKNESS AS APPLIED PRIOR TO REFLOW)
B = .000015/(0.00038) MIN. SELECT GOLD IN CONTACT AREA; .000100/(0.00254) MIN. SELECT MATTE TIN ON SOLDER TAILS; BOTH OVER .000050/(0.00127) MIN. NICKEL PLATE.
C = .000030/(0.00076) MIN. SELECT GOLD IN CONTACT AREA; .000100/(0.00254) MIN. SELECT MATTE TIN ON SOLDER TAILS; BOTH OVER .000050/(0.00127) MIN. NICKEL PLATE.
- PRODUCT SPECIFICATION: PS-43045
- TRAY PACKAGED: SEE MOLEX DRAWING PK-70873-0314
- MATES WITH MICRO FIT (3.0) RECEPTACLE SERIES 43025
- THE PRIMARY SHIPPING CARTON WILL BE LABELED, *COMPLIANT TO RoHS DIRECTIVE 2002/95/EC AND ELV ANNEX II OF DIRECTIVE 2000/53/EC.* ASSEMBLIES WILL BE COMPLIANT TO THE RoHS AND ELV (LEAD-FREE) DIRECTIVES.
- CIRCUIT SIZES 2-6: "D" IS .265/6.74 FOR .010/0.25 STEP
CIRCUIT SIZES 8-24: "D" IS .063/1.60 FOR .010/0.25 STEP.
- THIS PART CONFORMS TO CLASS B REQUIREMENTS OF COSMETIC SPECIFICATION PS-45499-002.

	FINISH A	FINISH B	FINISH C
02	43045-5212		02 43045-5214
04	43045-5412	04 43045-5413	04 43045-5414
06	43045-5612	06 43045-5613	06 43045-5614
08	43045-5812	08 43045-5813	08 43045-5814
10	43045-6012	10 43045-6013	10 43045-6014
12	43045-6212	12 43045-6213	12 43045-6214
14	43045-6412	14 43045-6413	14 43045-6414
16	43045-6612		16 43045-6614
18	43045-6812		18 43045-6814
20	43045-7012		20 43045-7014
22	43045-7212		
24	43045-7412	24 43045-7413	24 43045-7414



REVISE FINISH A EC NO: UCP2016-0464 DRWN:JDOX 2015/08/20 CHKD:SSOUSEK 2015/08/20 APPR:FSMLTH 2015/11/19	QUALITY SYMBOLS ∇=0 ∇=0 ∇=0	GENERAL TOLERANCES (UNLESS SPECIFIED) mm INCH 4 PLACES ± --- ± --- 3 PLACES ± --- ± .010 2 PLACES ± 0.25 ± .014 1 PLACE ± 0.36 ± --- 0 PLACE ± ±	DIMENSION STYLE IN/MM	SCALE NONE	DESIGN UNITS METRIC	THIRD ANGLE PROJECTION	
		DRAWN BY RHOLTS	DATE 2004/07/22	CHECKED BY LSCMHMTD	DATE 2004/07/22	TITLE MICRO FIT (3.0) DUAL ROW VERTICAL THRU HOLE HEADER ASSY, LEADFREE	
		APPROVED BY FSMITH	DATE 2004/07/22	MATERIAL NO. SEE CHART		DOCUMENT NO. SD-43045-020	SHEET NO. 1 OF 1
		DRAFT WHERE APPLICABLE MUST REMAIN WITHIN DIMENSIONS					

THIS DRAWING CONTAINS INFORMATION THAT IS PROPRIETARY TO MOLEX INCORPORATED AND SHOULD NOT BE USED WITHOUT WRITTEN PERMISSION