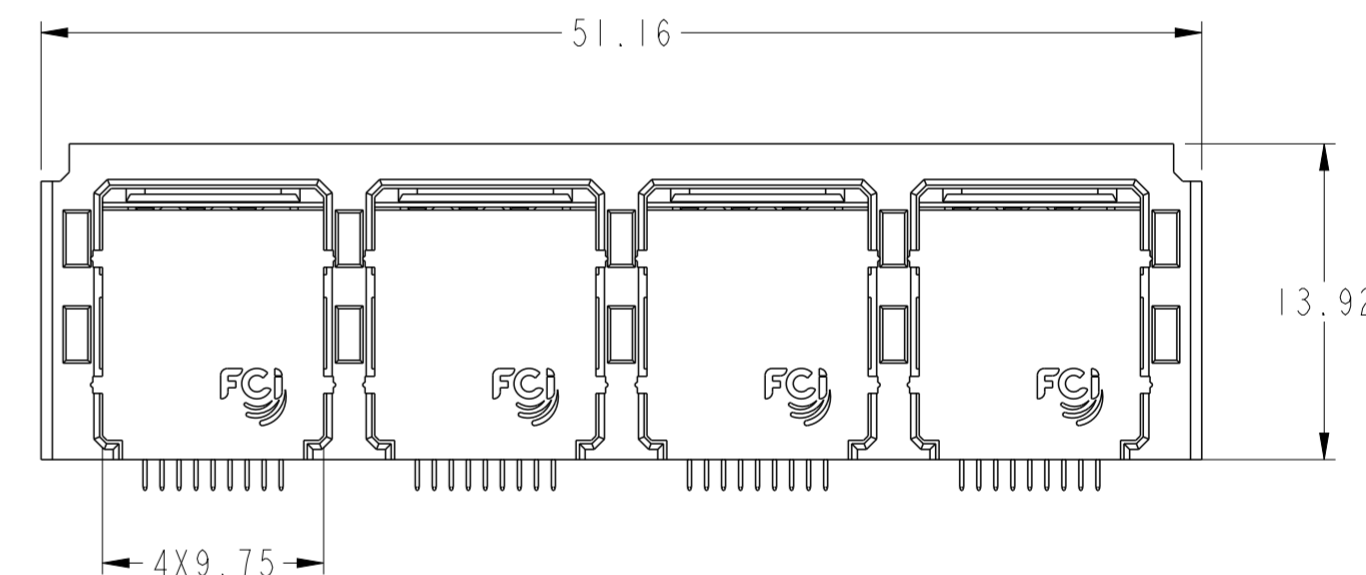
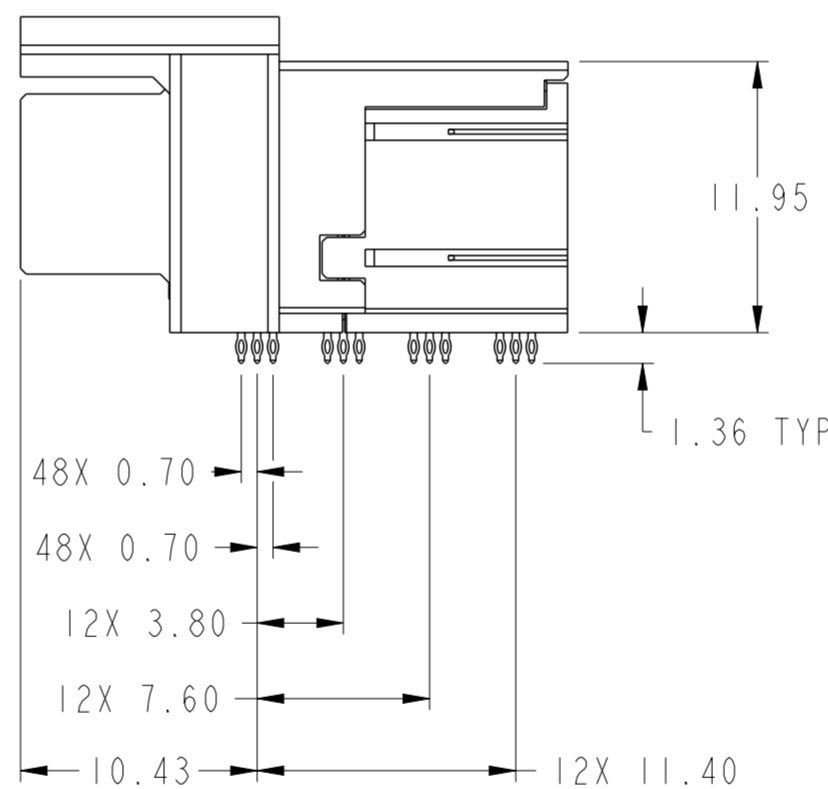
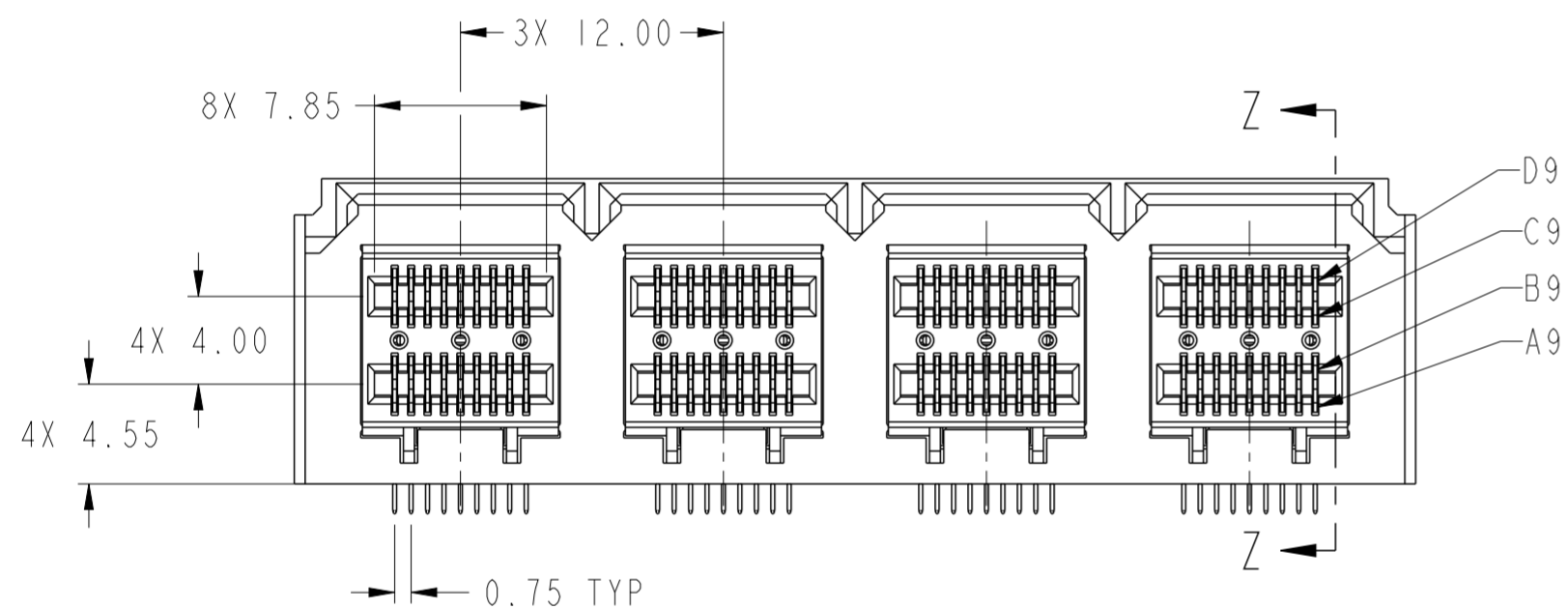
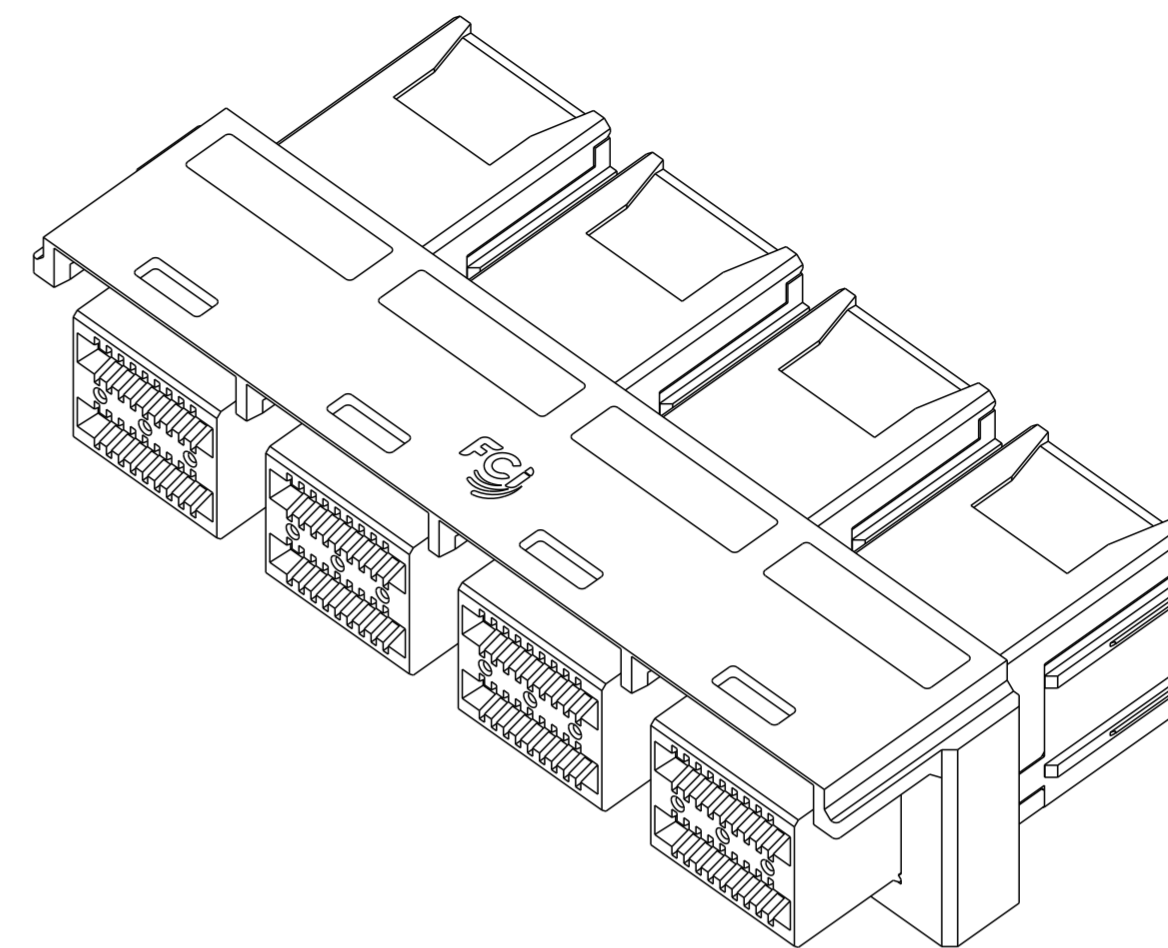
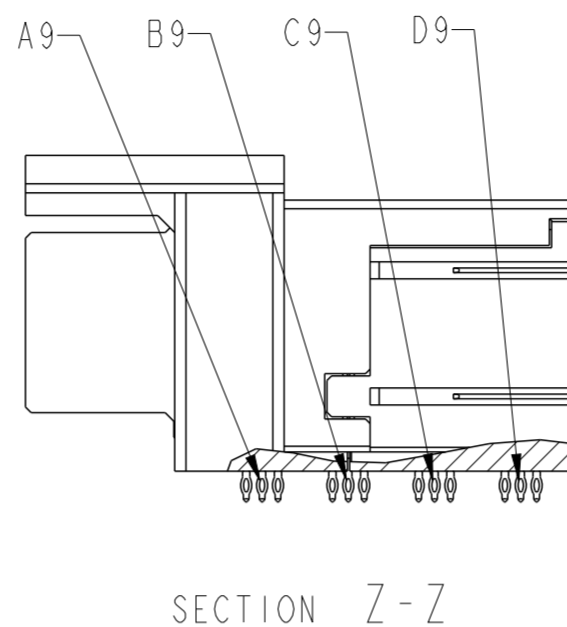
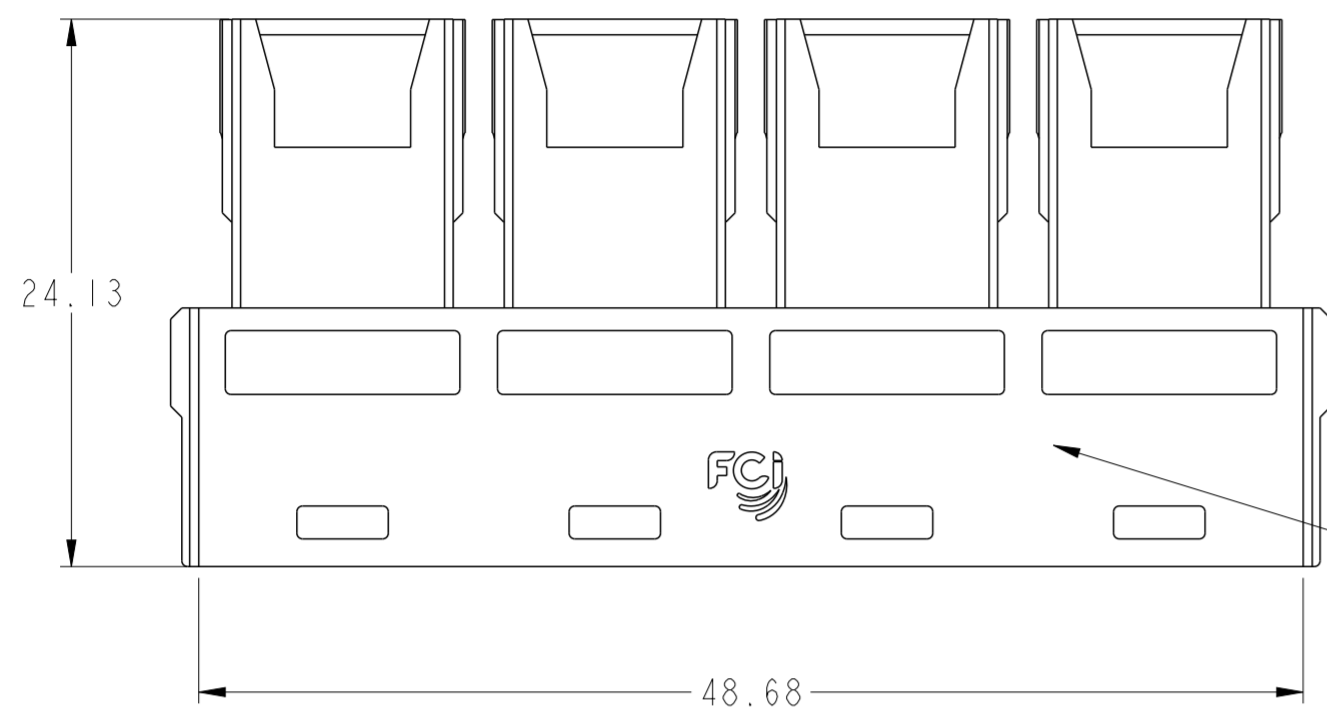


PRODUCT NUMBER	PLATING OPT.	HSG&FRAME COLOR
10112634-101	OPTION 1	BLACK
10112634-101LF	OPTION 2	BLACK
10112634-121	OPTION 1	NATURAL
10112634-121LF	OPTION 2	NATURAL



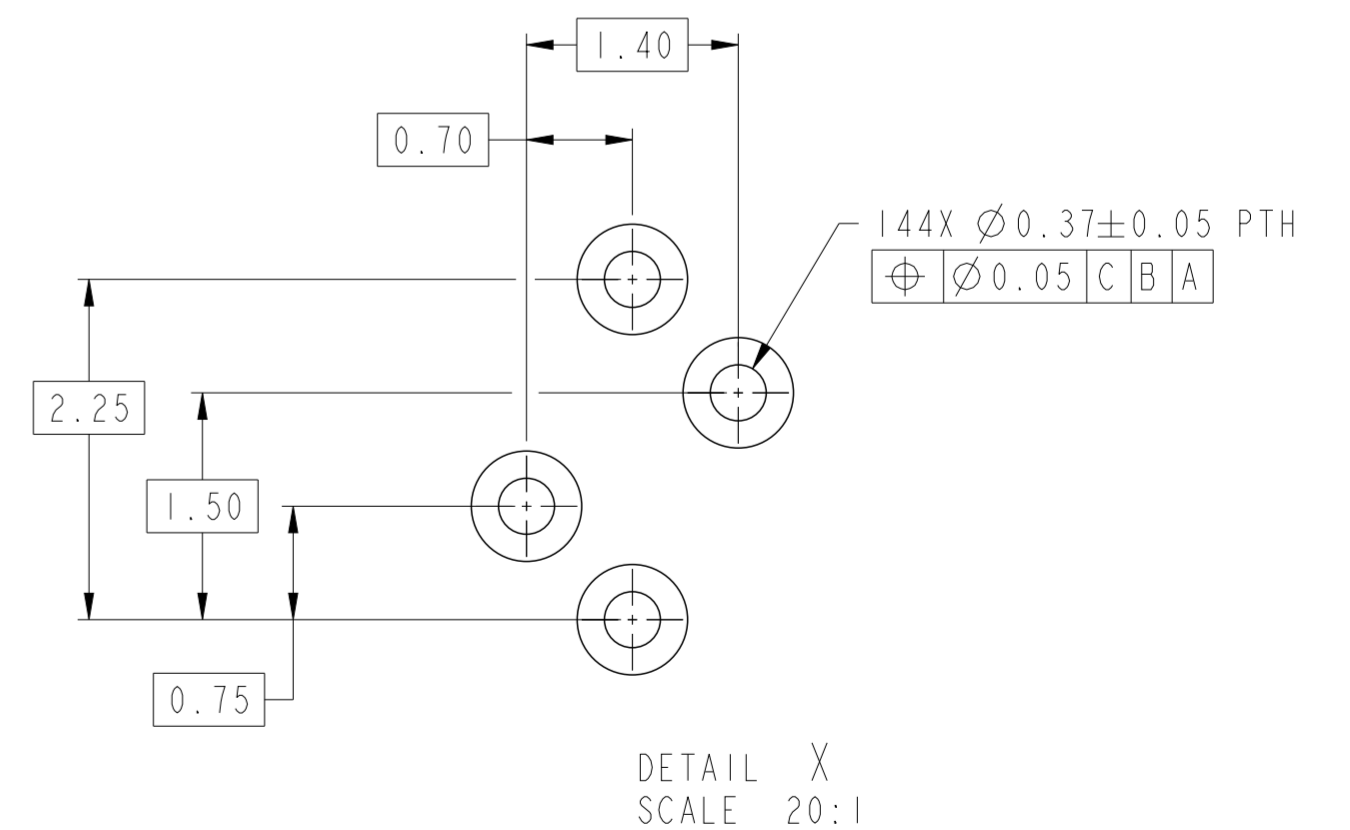
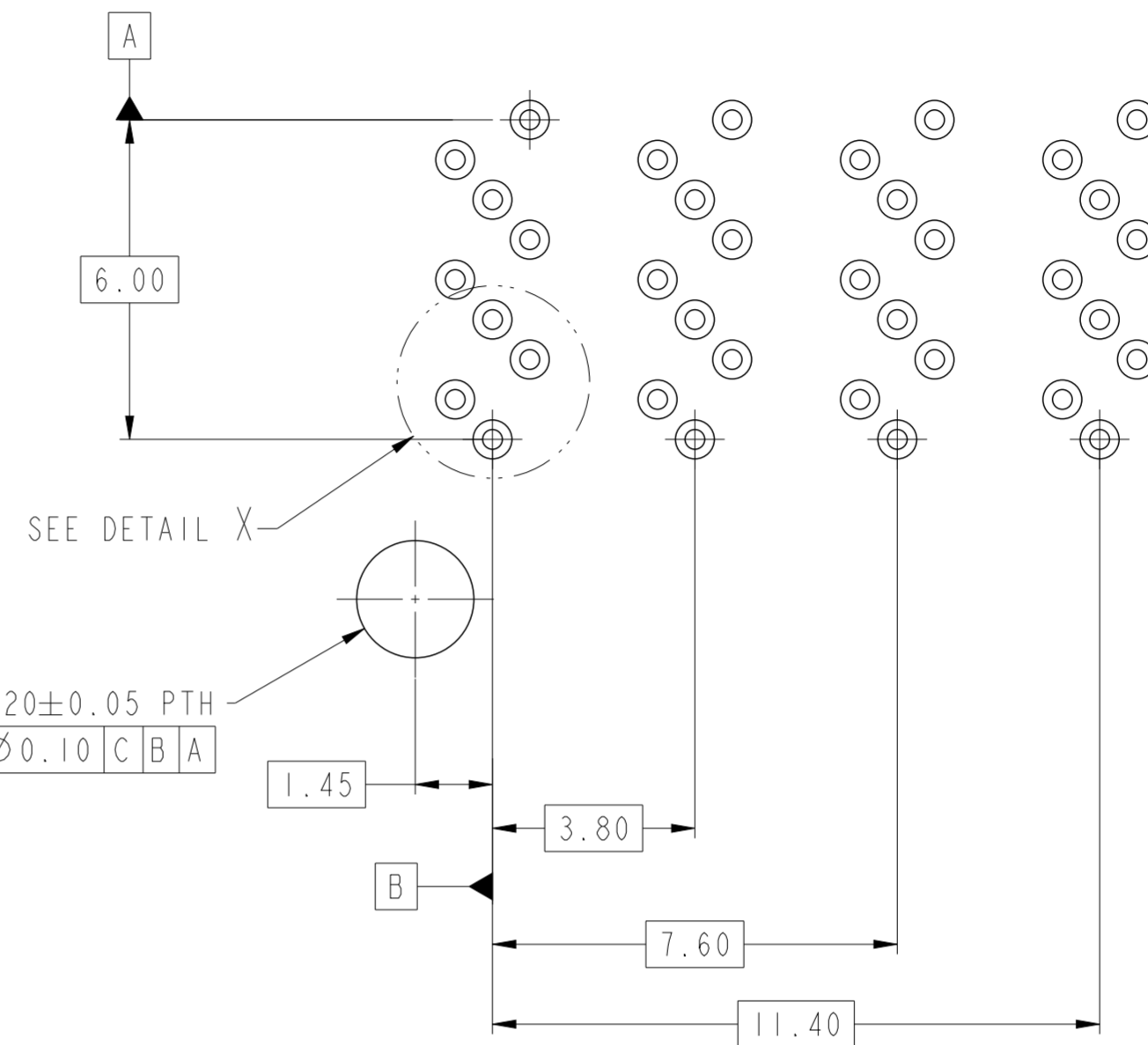
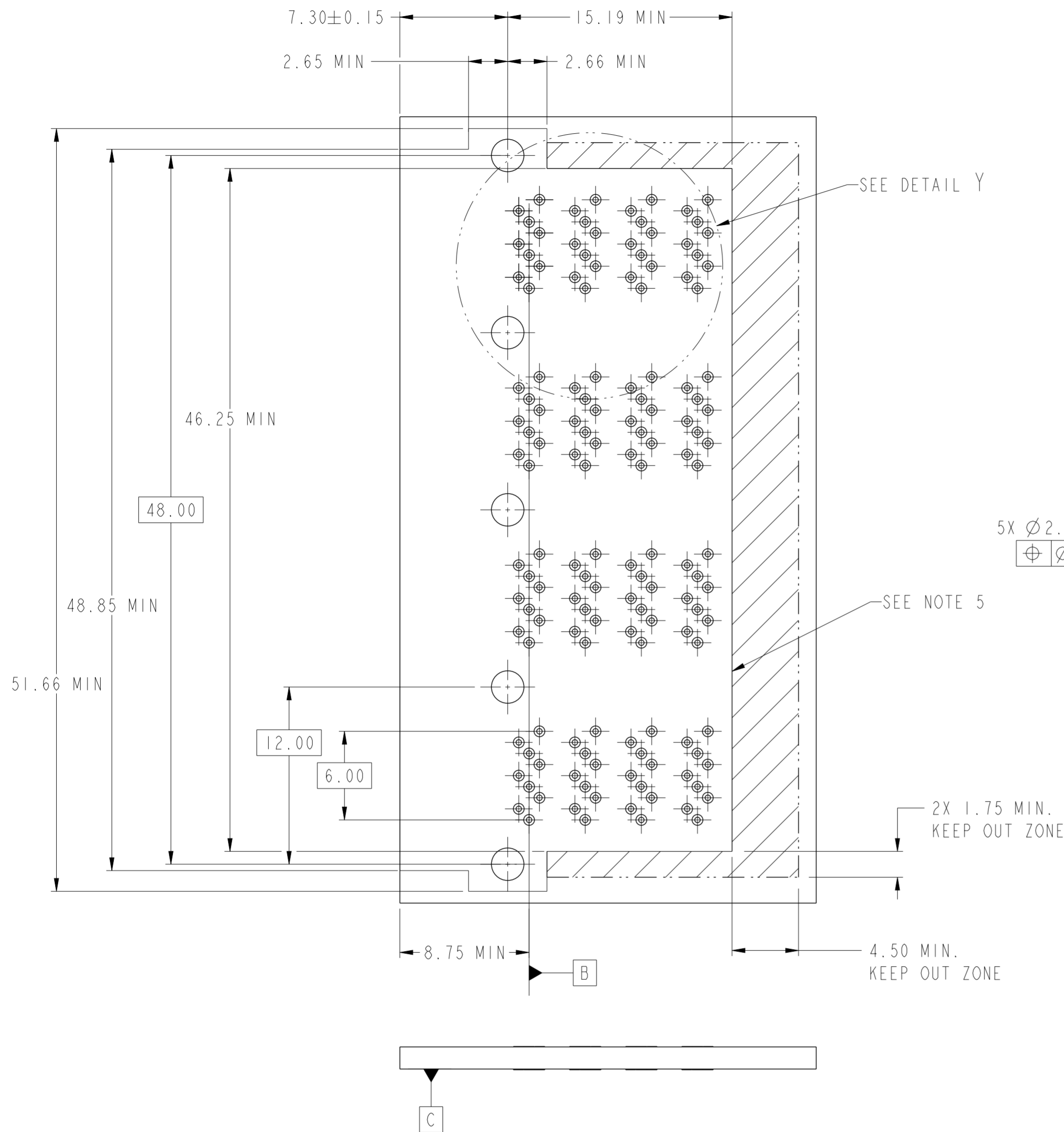
NOTES:

- MATERIALS:**  
CONNECTOR HOUSING: HIGH TEMPERATURE THERMOPLASTIC, GLASS FILLED, UL 94V-0  
TERMINALS: COPPER ALLOY
- FINISHES:**  
CONTACT AREA: 0.76µm GOLD OVER 2.54µm MIN NICKEL  
TAIL AREA:  
OPTION 1: 0.76µm - 1.52µm TIN/LEAD (90/10) OVER 2.54µm MIN NICKEL.  
OPTION 2: 0.76µm - 1.52µm TIN (LEAD FREE) OVER 2.54µm MIN NICKEL.
- PRODUCT SPECIFICATION:** GS-12-650.  
**APPLICATION SPECIFICATION:** GS-20-0356  
**PACKAGING SPECIFICATION:** GS-14-1490
- RECOMMENDED MOUNTING HARDWARE:**  
△ OPTION 1: M2 X 0.91mm SELF-THREADING SCREW  
OPTION 2: M2 X 0.80mm SELF-THREADING SCREW  
OPTION 3: M2 X 0.40mm SELF-THREADING SCREW  
RECOMMENDED MOUNTING SCREW LENGTH: PCB THICKNESS + (2.5±0.35)mm △
- THIS CONNECTOR IS DESIGNED TO MEET THE REQUIREMENTS OF INDUSTRY SPECIFICATION SFF-8643.
- A △ SYMBOL WILL BE NEXT TO ANY DIMENSION, VIEW, OR NOTE THAT HAS BEEN MODIFIED WITH THE CURRENT DRAWING REVISION.

MATES WITH MINI-SAS HD ENDS IN:	
10119217 SERIES (4i)	
10119312 SERIES (4i)	
10120086 SERIES (4i)	
10120087 SERIES (4i)	
10119576 SERIES (8i)	
10119577 SERIES (8i)	
10120088 SERIES (8i)	
10120089 SERIES (8i)	

spec ref	-	dr	Mark Gray	2010/08/04	projection	MM	size	A2	scale	3:1		
tolerance std	ASME Y14.5	eng	Jackbin Zou	2015/12/09			ecn no	ELX-DG-17937-1				
		chr	Zhen Luo	2015/12/22				rel level	Released			
		appr	Pei-Ming Zheng	2015/12/23	product family	MINI-SAS HD		rel level	Released			
surface	✓	linear	0.X	±0.25		<b>IX4 INTERNAL ASSEMBLY</b> MINI-SAS HD	dwg no 10112634	rev C	Product - Customer Drw			
		angular	0°	±1/2°					cat. no.	-		sheet 1 of 4
									www.fci.com			

# RECOMMENDED PC BOARD LAYOUT

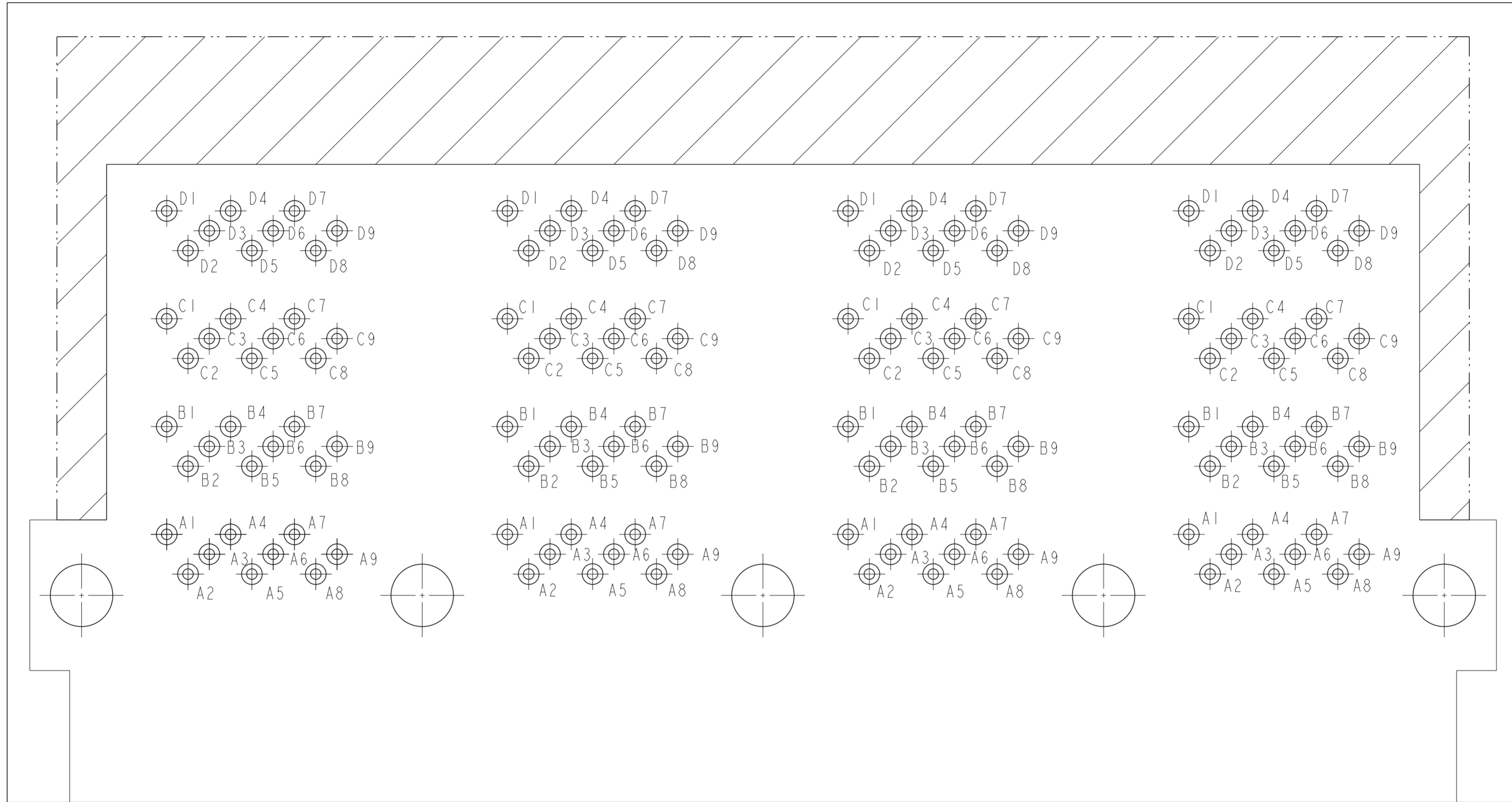


## NOTES:

1. RECOMMENDED DRILL SIZE FOR A  $\varnothing 0.37$  FINISHED PTH IS  $\varnothing 0.457$  (#77 DRILL).
2. RECOMMENDED ANNULAR RING AROUND  $\varnothing 0.37$  FINISHED PTH IS  $\varnothing 0.73$ .
3. MINIMUM RECOMMENDED SPACING : 14.00mm.
4. MINIMUM PCB THICKNESS : 1.57mm.
5. CONNECTOR KEEP OUT AREA.

spec ref	-	dr	Mark Gray	2010/08/04	projection	MM	size	A2	scale	2:1
tolerance std	ASME Y14.5	eng	Jacklin Zou	2015/12/09			ecn no	ELX-DG-17937-1	rel level	Released
TOLERANCES UNLESS OTHERWISE SPECIFIED		chr	Zhen Luo	2015/12/22						
		appr	Pei-Ming Zheng	2015/12/23						
surface	✓	product family	MINI-SAS HD			product family	MINI-SAS HD	rel level	Released	
linear	0.X ±0.25 0.XX ±0.15 0.XXX ±	title	IX4 INTERNAL ASSEMBLY			cat. no.	10112634		rev	C
angular	0° ±1/2°	www.fci.com	Product - Customer Drw			sheet 2 of 4				

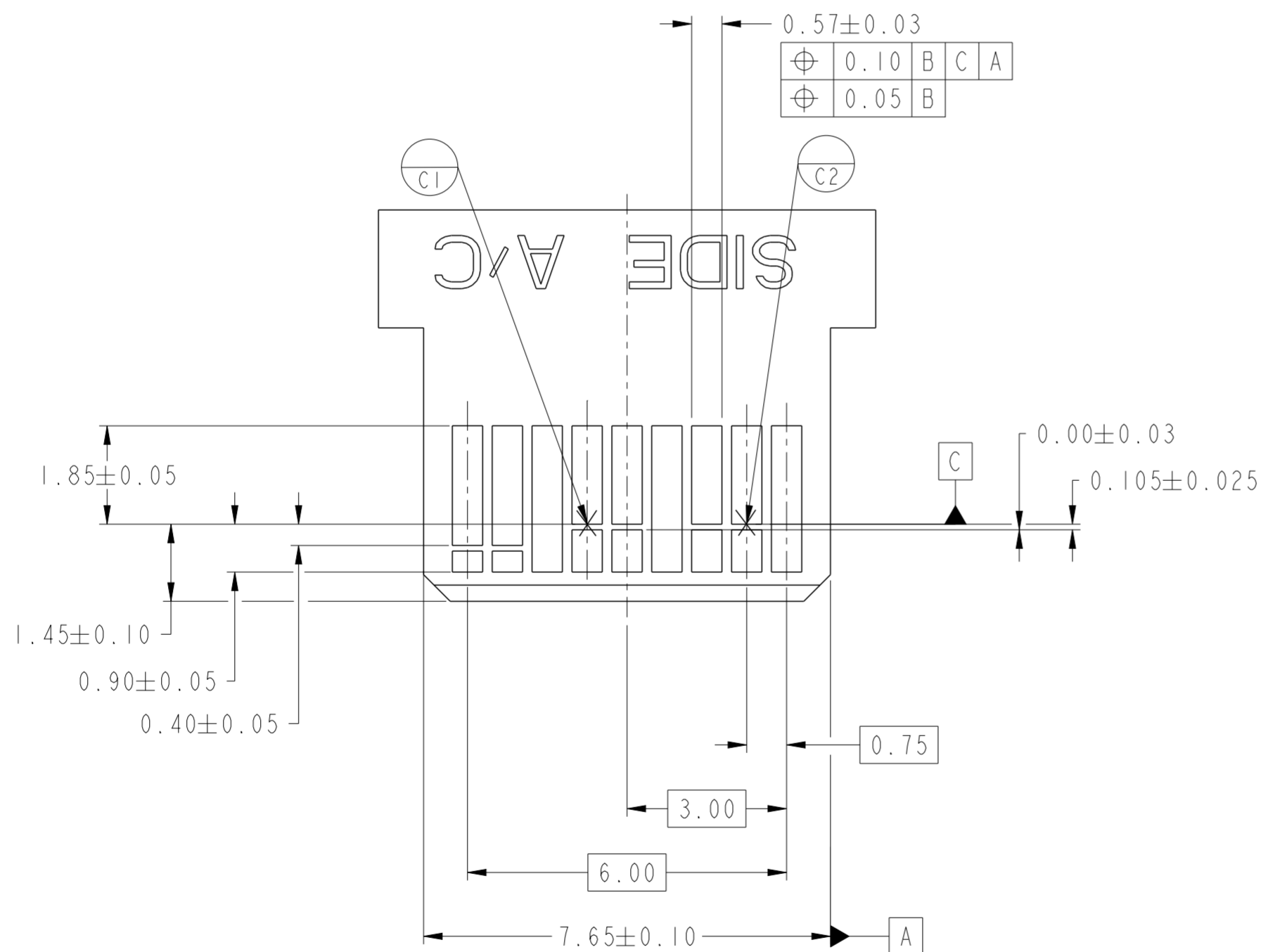
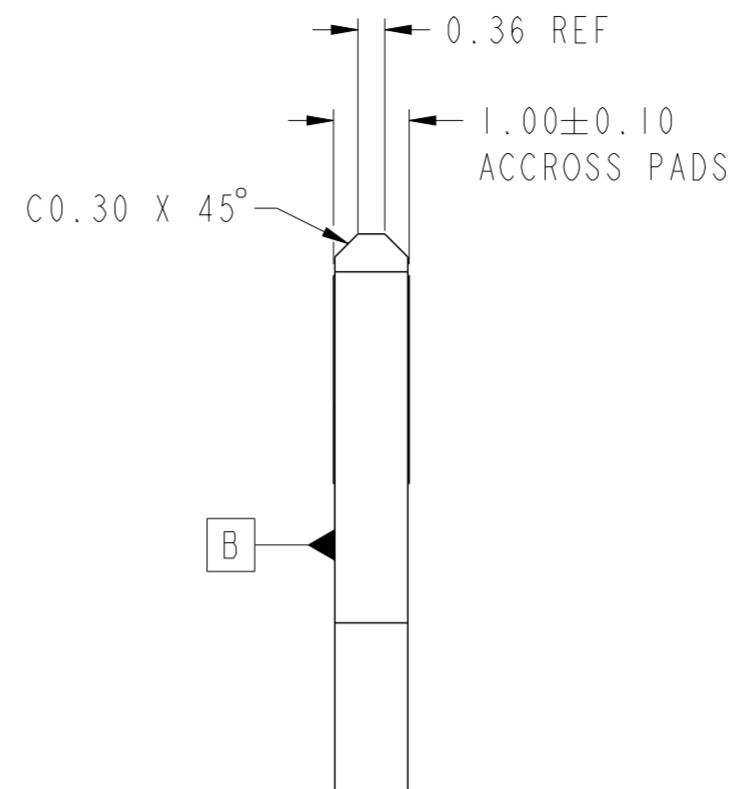
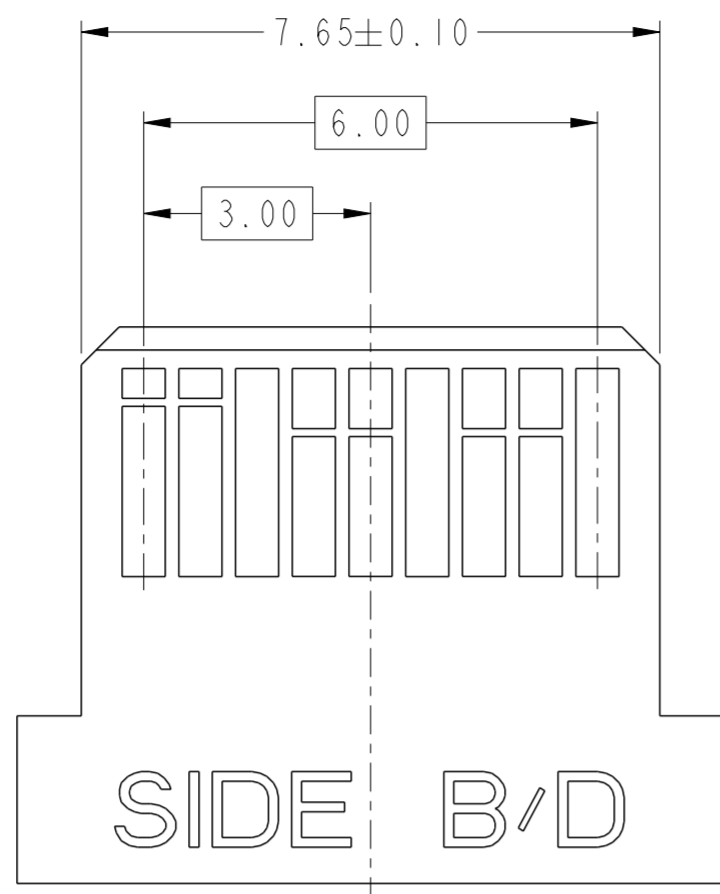
# PIN OUT DESIGNATIONS



spec ref	-	dr	Mark Gray	2010/08/04	projection	MM	size	A2	scale	2:1										
tolerance std	ASME Y14.5	eng	Jacklin Zou	2015/12/09			ecn no	ELX-DG-17937-1	rel level	Released										
TOLERANCES UNLESS OTHERWISE SPECIFIED		chr	Zhen Luo	2015/12/22							product family	MINI-SAS HD								
surface	<table border="1"> <tr> <td>linear</td> <td>0.X</td> <td>±0.25</td> </tr> <tr> <td></td> <td>0.XX</td> <td>±0.15</td> </tr> <tr> <td></td> <td>0.XXX</td> <td>±</td> </tr> <tr> <td>angular</td> <td>0°</td> <td>±1/2°</td> </tr> </table>	linear	0.X	±0.25		0.XX	±0.15		0.XXX	±	angular	0°	±1/2°	appr	Pei-Ming Zheng	2015/12/23		title IX4 INTERNAL ASSEMBLY MINI-SAS HD	dwg no 10112634	rev C
linear	0.X	±0.25																		
	0.XX	±0.15																		
	0.XXX	±																		
angular	0°	±1/2°																		
ASME Y14.5		www.fci.com	cat. no.	-	Product - Customer Drw	sheet 3 of 4														



Copyright FCI.



NOTES:

- 0.05 MINIMUM KEEP OUT SOLDER MASK AROUND ALL PADS.
- DATUM C TARGETS ARE DEFINED BY THE RESPECTIVE PAD CENTER LINES AND THE LEADING EDGE OF THE TARGET PADS.

spec ref	-	dr	Mark Gray	2010/08/04	projection	MM	size	A2	scale	2:1
tolerance std	ASME Y14.5	eng	Jackbin Zou	2015/12/09			ecn no	ELX-DG-17937-1	rel level	Released
TOLERANCES UNLESS OTHERWISE SPECIFIED		chr	Zhen Luo	2015/12/22						
surface	✓	appr	Pei-Ming Zheng	2015/12/23	title		IX4 INTERNAL ASSEMBLY		dwg no	10112634
ASME Y14.5	linear	0.X	±0.25		cat. no.		-		Product - Customer Drw	sheet 4 of 4
		0.XX	±0.15		www.fci.com		-			
	angular	0°	±1/2°		-		-			

