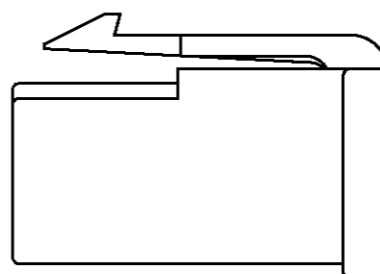
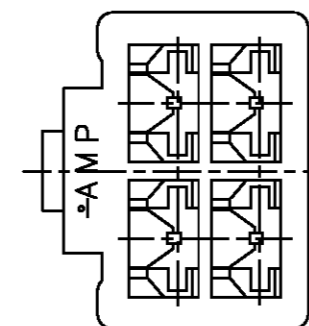
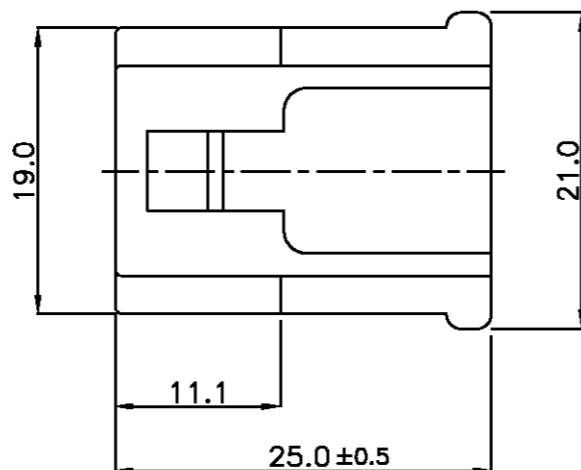
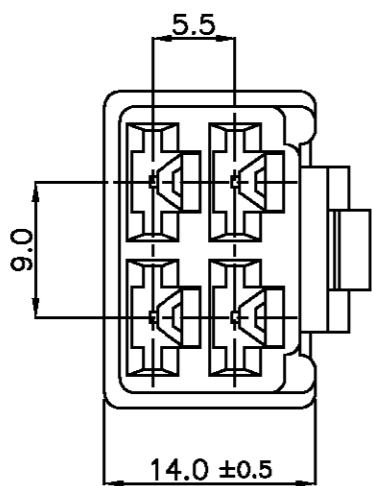


P	LTR	DESCRIPTION	DATE	DWN	APVD
	0	RELEASED			



NOTES:

1. GENERAL TOLERANCES ARE  $\pm 0.2, \pm 1^\circ$
2. APPLIED CONTACT P/N: 170384, 170032, 170258

174202-9	RED
174202-8	
174202-7	YELLOW
174202-6	GREY
174202-5	BLUE
174202-4	GREEN
174202-3	
174202-2	BLACK
174202-1	NATURAL
PART NO	COLOR

THIS DRAWING IS A CONTROLLED DOCUMENT FOR AMP INCORPORATED. IT IS SUBJECT TO CHANGE AND THE CONTROLLING ENGINEERING ORGANIZATION SHOULD BE CONTACTED FOR THE LATEST REVISION.		DWN	<b>AMP</b> AMP KOREA. kyungsan, korea		
DIMENSIONS: MM		CHK			
TOLERANCES UNLESS OTHERWISE SPECIFIED: SEE NOTE		APVD	NAME		
3rd ANGLE PROJECTION		PRODUCT SPEC	250 4P PLUG HSG		
MATERIAL: PA66		APPLICATION SPEC: 114-5052	SIZE: A3	CAGE CODE: 00779	DRAWING NO: 174202
FINISH		WEIGHT	SCALE: 2/1 SHEET 1 OF 1 REV 0		