

THIS DRAWING IS UNPUBLISHED. RELEASED FOR PUBLICATION
 © COPYRIGHT BY TYCO ELECTRONICS CORPORATION. ALL RIGHTS RESERVED.

LOC	DIST	REVISIONS					
		P	LTR	DESCRIPTION	DATE	DWN	APVD
J	—	B		REVISED ECR-06-025841	02NOV'06	J.S	N.Y

- 注記:
 1. 一般公差: ±0.3, ±3°
 2. かん合相手製品型番: TABLE参照
 3. 適用コンタクト型番: 177917-X(AWG#20-#16)
 177916-X(AWG#26-#22)
 4. 適用ダブルロックプレート型番: X-316061-X
 5. 適用パネル厚: 0.8~2.0 (FIG.1参照)
 6. 金属パネルの場合、コネクタ取付方向を
 パンチ加工方向にしてください
 7. プラスチックパネルの場合、穴端部にRなき様
 御配慮下さい

- NOTES:
 1. GENERAL TOLERANCE : ±0.3, ±3°
 2. MATING CONN. P/N : SEE TABLE
 3. APPLICABLE CONTACT P/N : 177917-X(AWG#20-#16)
 177916-X(AWG#26-#22)
 4. APPLICABLE DOUBLE LOCK PLATE P/N: X-316061-X
 5. APPLICABLE PANEL THICKNESS: 0.8~2.0 (SEE FIG.1)
 6. INSERT CONN. FROM PRESS DIRECTION SIDE FOR METAL PANEL.
 7. EDGE OF THICKNESS WAY MUST NOT ROUND FOR MOLDED
 PANEL.

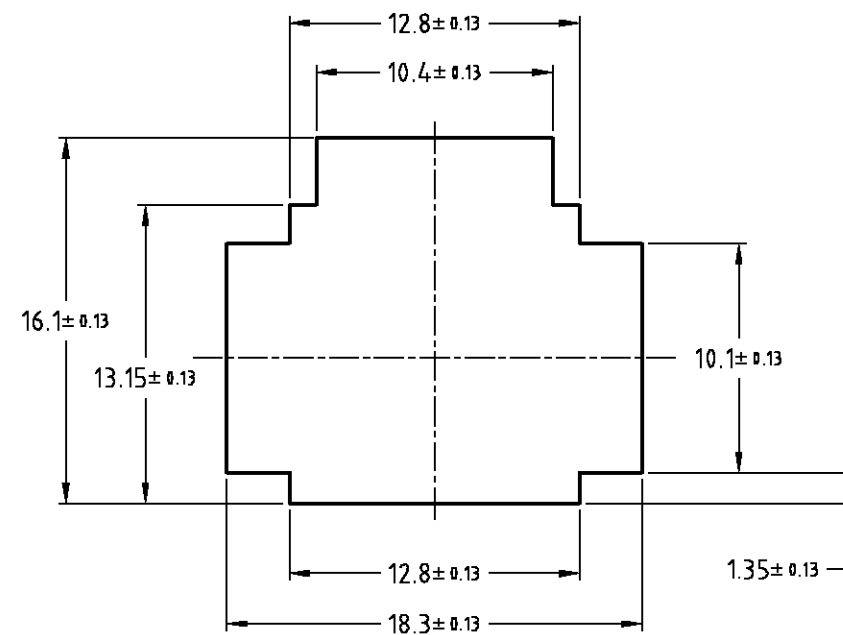
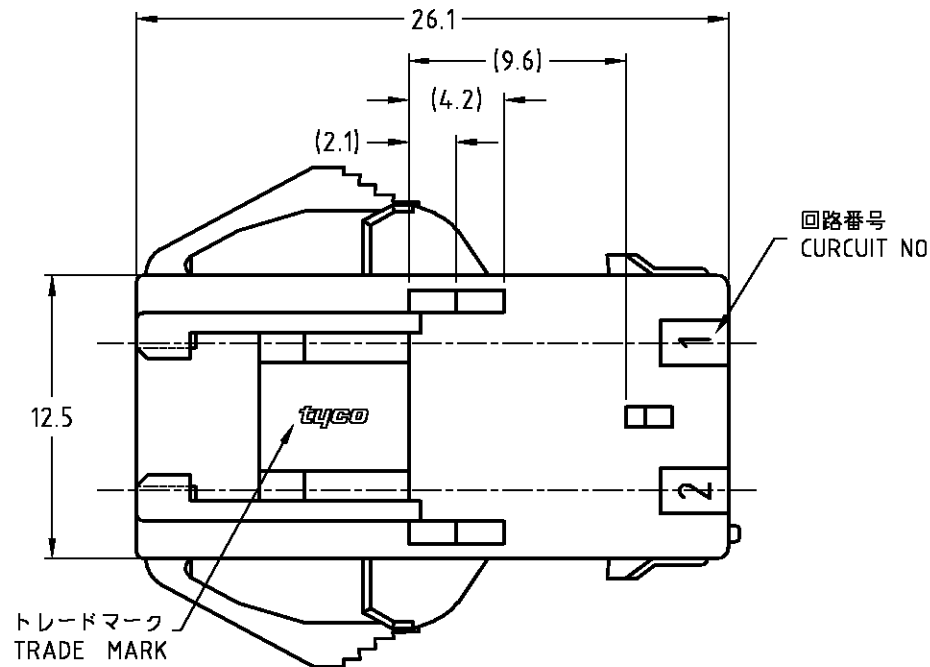
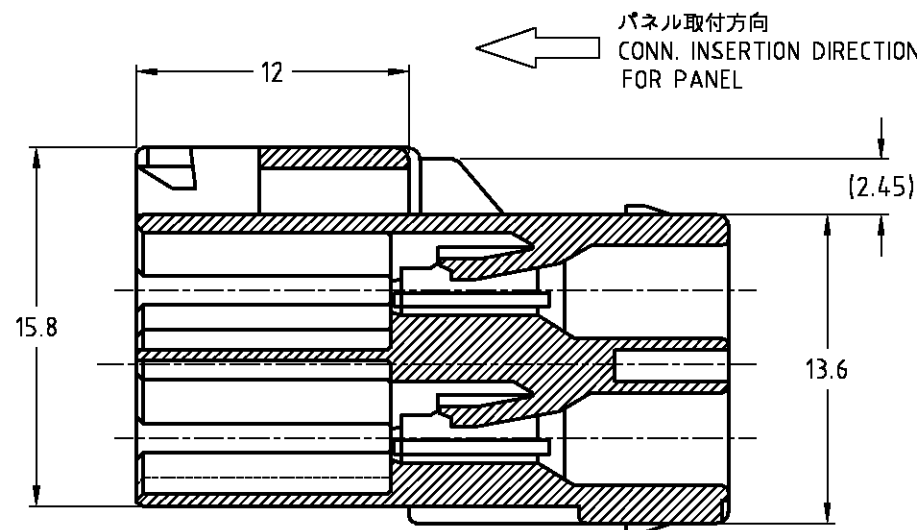
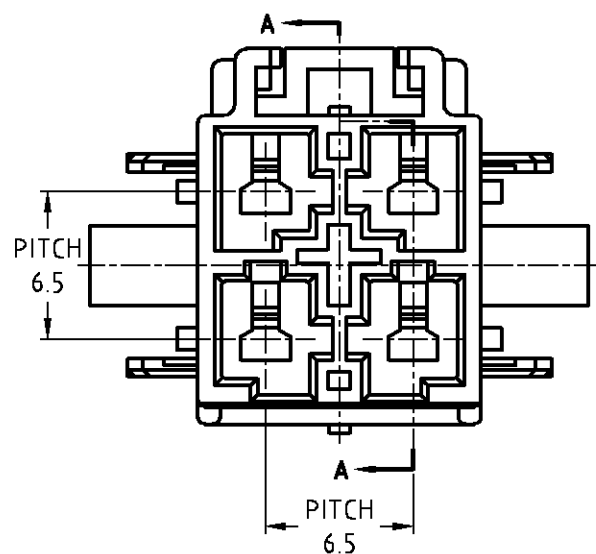
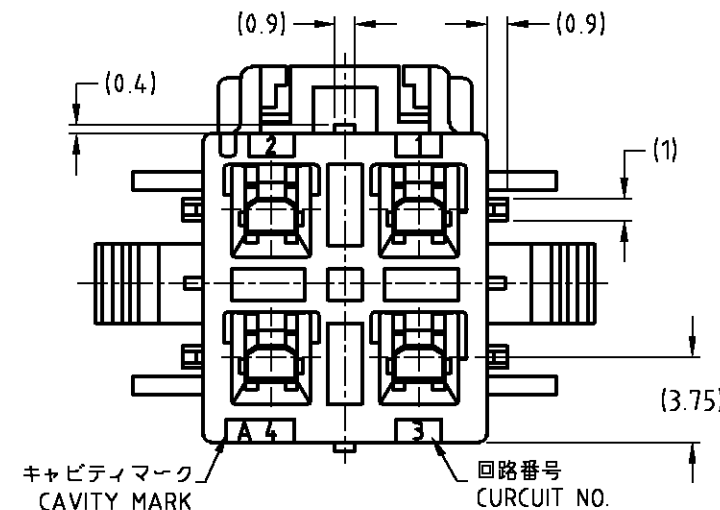


FIG 1. パネル取付穴寸法
 FIG 1. RECOMMENDED PANEL OPENING DIMENSION



断面A-A
 SECT A-A



X-179861-X	自然色 NATURAL	4	1903486-1
かん合相手型番 MATING CONN. P/N	色調 COLOR	極数 POS	型番 PART NUMBER

THIS DRAWING IS A CONTROLLED DOCUMENT.		DWN J.SATO 27SEP2006	Tyco Electronics AMP K.K. Kawasaki, Japan	
DIMENSIONS: 単位: 概 mm		CHK N.YAMASAKI 27SEP2006		
TOLERANCES UNLESS OTHERWISE SPECIFIED: 一般公差		APVD N.YAMASAKI 27SEP2006	NAME 名称 AMP POWER DOUBLE LOCK CONN. 6.5MM PITCH CAP HOUSING 4POS (PANEL MOUNT)	
0 PLC ± 1 PLC ± 2 PLC ± 3 PLC ± 4 PLC ± ANGLES ±		PRODUCT SPEC 製品規格	DRAWING NO 番号 A3 00779 C-1903486	
MATERIAL 材料 6/6NYLON (UL94V-0)		FINISH 仕上	RESTRICTED TO —	
CUSTOMER DRAWING		WEIGHT	SCALE 尺度 3:1	
			SHEET 1 OF 1	
			REV B	