



MAX8601 Evaluation Kit

General Description

The MAX8601 evaluation kit (EV kit) is a fully assembled and tested surface-mount PC board demonstrating the MAX8601 single-cell, linear Li+ battery charger. The EV kit operates from either a 100mA/500mA USB port or a 4.15V to 14V input power supply; however, charging is disabled when the input voltage exceeds 7V. Charging is optimized for Li+ cells using a control algorithm that includes low-battery precharging, voltage, and current-limited fast charging, and top-off charging, while continuously monitoring the battery for overvoltage, over/under-temperature, and charging time.

The charger timeout protection is programmable. The charger status is indicated by three open-drain outputs. The MAX8601 automatically selects between either a USB or an AC-adaptor input source. The AC-adaptor charge current is programmable, while the USB charge current is preset not to exceed either 100mA or 500mA, depending on the USEL input. The MAX8601 EV kit also evaluates the MAX8600 with no PC board modification. The MAX8601 is assembled in the space-saving 3mm x 3mm, 14-pin TDFN package.

Features

- ◆ Dual-Input Li+ Charger
- ◆ Up to 1A Programmable Fast Charge (from DC)
- ◆ 100mA/500mA USB Select Input
- ◆ 4.15V to 7V Operating Voltage Range
- ◆ 14V Input Overvoltage Protection for USB and DC
- ◆ Programmable On-Chip Charge Timers
- ◆ Battery Thermistor Input
- ◆ Charger Status Outputs
- ◆ Logic-Low Enable Input
- ◆ Thermally Optimized Charge Rate
- ◆ Male Type-B USB Jack
- ◆ 14-Pin (3mm x 3mm) TDFN Package
- ◆ Fully Assembled and Tested

Ordering Information

PART	TEMP RANGE	IC PACKAGE
MAX8601EVKIT	0°C to +70°C	14 TDFN (3mm x 3mm)

Note: To evaluate the MAX8600, request a free sample with the MAX8601EVKIT.

Component List

DESIGNATION	QTY	DESCRIPTION
C1, C2	2	1 μ F \pm 10%, 16V X5R ceramic capacitors (0603) Taiyo Yuden EMK107BJ105KA
C3	1	0.068 μ F \pm 20%, 16V X5R ceramic capacitor (0603) Taiyo Yuden EMK107BJ683MA
C4	1	2.2 μ F \pm 10%, 6.3V X5R ceramic capacitor (0603) TDK C1608X5R0J225K
D1	1	Small red LED Mouser 512-HLMP-1700
J1	1	Male USB type-B connector, right angle Digikey AE1085-ND ASSMANN AU-Y1007
JU1, JU2, JU4	3	2-pin headers SULLINS PTC36SAAN DIGIKEY S1012-36-ND

DESIGNATION	QTY	DESCRIPTION
JU3	1	3-pin header SULLINS PTC36SAAN DIGIKEY S1012-36-ND
R1, R2, R4, R5	4	100k Ω \pm 5% resistors (0603)
R3, R9	2	1k Ω \pm 5% resistors (0603)
R6	1	6.04k Ω \pm 1% resistor (0603)
R7, R8	2	3.01k Ω \pm 1% resistors (0603)
U1	1	MAX8601ETD (14-pin TDFN 3mm x 3mm)
—	4	Shunts SULLINS STC02SYAN Digi-key S9000-ND
—	1	MAX8601 EV kit PC board

MAX8601 Evaluation Kit

Recommended Equipment

- 20V, 2A variable power supply
- 5V power supply
- 1-cell Li+ battery
- Digital voltmeter (DVM)

Quick Start

The MAX8601 EV kit is fully assembled and tested. Follow these steps to verify board operation.

- 1) Verify on the MAX8601 EV kit that there is **no** shunt on JU2.
- 2) Verify on the MAX8601 EV kit that there is a shunt between positions 1 and 2 on JU3 to select a 750mA DC charge current.
- 3) Verify on the MAX8601 EV kit that there is a shunt on JU4 to disable the THM input.
- 4) Preset the variable 2A power supply to +5V. Turn off the power supply. **Do not turn on the power supply until all connections are made.**
- 5) Ensure that the 5V power supply is off. **Do not turn on the power supply until all connections are made.**
- 6) Connect the positive lead of the 2A power supply to the DCIN pad on the EV kit and the negative lead of the power supply to the GND pad on the EV kit.
- 7) Connect the positive lead of the 5V power supply to the VLOGIC pad on the EV kit and the negative lead of the power supply to the GND pad on the EV kit.
- 8) Connect the DVM from BAT+ to BAT-.
- 9) Turn on the power supplies. Verify that the BAT+ voltage is 4.2V.
- 10) **Determine the correct Li+ cell polarity.** Connect the positive side of the single-cell Li+ battery to BAT+. Connect the negative side of the single-cell Li+ battery to BAT-. Monitor charging cycles.
- 11) Repeat steps using the USB input.

Detailed Description

Input Source

The MAX8601 is designed to charge a single-cell Li+ battery from a 4.15V to 7V DC source voltage or a 100mA/500mA 5V USB port. The MAX8601 accepts input voltages up to 14V, but disables charging when the input voltage exceeds 7.5V. A male, B-type USB jack is available to connect the MAX8601 EV kit to a standard 100mA/500mA USB port to power the EV kit. Note that the +5V logic input supply is required when charging from USB.

Charge Profile

The MAX8601 charger uses voltage, current, and thermal control loops to facilitate charging of a single Li+ cell and to protect the battery. When a Li+ battery with a cell voltage below 3V is inserted, the charger enters the prequalification stage, precharging the cell with 10% of the user-programmed fast-charge current. Once the cell voltage rises above 3V, the charger soft-starts into the fast-charge stage. The fast-charge current level is programmed with a resistor from SET1 to GND (JU3). A red LED indicates the charge status. As the battery voltage approaches 4.2V, the charging current is reduced. If the battery current drops below 7.5% of the fast-charging current, the red LED turns off signaling the battery is charged; however, charging continues for an additional 30 minutes to top off the battery. After charging is complete, the charger restarts if the battery voltage falls below 4.05V. See Table 1 for a description of the charge states.

Setting the Charge Current (SET1, USEL)

The MAX8601 EV kit features an easily adjustable charge-current limit using JU3. JU3 allows the user to select one of three charge-current levels. Remove the shunt to select a 500mA charge current, place the shunt between positions 1 and 2 to select 750mA charge current or between 2 and 3 to select a 1A charge current.

Component Suppliers

SUPPLIER	COMPONENT	PHONE	WEBSITE
Assmann	USB jack	877-ASSMANN	www.assmann.com
Panasonic	Resistors	714-373-7366	www.panasonic.com
Taiyo Yuden	Capacitors	408-573-4150	www.t-yuden.com
TDK	Capacitors	888-835-6646	www.component.tdk.com
Vishay	Resistors	402-563-6866	www.vishay.com

Note: Indicate you are using the MAX8600/MAX8601 when contacting these component suppliers.

MAX8601 Evaluation Kit

Evaluates: MAX8600/MAX8601

Table 1. Charge States with THM = GND or 3.94kΩ < RTHM < 28.3kΩ

CONDITIONS			RESULTS			
$\overline{\text{EN}}$	$\overline{\text{POK}}^*$	V_{BAT}	I_{BAT}	LED	$\overline{\text{FLT}}$	STATE
Low	High	X	0	Off	High	Off
Low	Low	$V_{\text{BAT}} < 3\text{V}$	10% of I_{FAST}	Off	High	Prequal
Low	Low	$3\text{V} < V_{\text{BAT}} < 4.2\text{V}$	I_{FAST}	On	High	Fast-Charging in Controlled Current Mode
Low	Low	4.2V	$> 7.5\% I_{\text{FAST}}$	On	High	Fast-Charging in Controlled Voltage Mode
Low	Low	4.2V	$< 7.5\% I_{\text{FAST}}$	Off	High	Top-Off
Low	Low	$4.05 < V_{\text{BAT}} < 4.2\text{V}$	0	Off	High	Charging Done
High	High	X	0	Off	High	Off
Low	Low	$< 3\text{V}$	0	Off	Low	Timeout in Prequalification Mode
Low	Low	$3\text{V} < V_{\text{BAT}} < 4.2\text{V}$	0	Off	Low	Timeout in Charge Mode

X = Don't care.

* $\overline{\text{POK}}$ is an open-drain output controlled by V_{IN} (V_{DC} or V_{USB}) and $\overline{\text{EN}}$. If $\overline{\text{EN}}$ is high, $\overline{\text{POK}}$ is high regardless of V_{IN} .

If another charge-current level is desired, remove the shunt and replace R7 with a resistor calculated as follows:

$$R7 = 1500 / I_{\text{CHARGE}}(\text{MAX})$$

where $I_{\text{CHARGE}}(\text{MAX})$ is in amps and R7 is in ohms. Refer to the MAX8600/MAX8601 IC data sheet for more details.

When using the USB input, charge current is selected using the USEL input (JU1). Drive USEL low by connecting a shunt across JU1 to select 95mA charge current. Drive USEL high by removing the shunt from JU1 to select a 475mA charge current.

$\overline{\text{EN}}$ Input

$\overline{\text{EN}}$ is a logic input (active low) that enables the charger. Drive $\overline{\text{EN}}$ high by connecting a shunt across JU2 to disable the charger control circuitry. Drive $\overline{\text{EN}}$ low by removing the shunt from JU2 to enable the MAX8601.

Timer Capacitor Selection

The MAX8601 contains internal timers for prequalified fast-charge and top-off states. These time periods are determined by the capacitance from CT to GND (C3). To set the charge times, calculate C3 as follows:

$$C3 = (0.068\mu\text{F} / 334\text{min}) \times t_{\text{FASTCHARGE}}$$

Note that $t_{\text{PREQUAL}} = t_{\text{TOPOFF}} = 1/10 \times t_{\text{FASTCHARGE}}$

Thermal Control

The MAX8601 features a thermal limit that reduces the charge current when the die temperature exceeds +100°C. As the temperature increases, the IC lowers

the charge current by 50mA/°C above +100°C when I_{FAST} is set to 1A.

$\overline{\text{CHG}}$ Output

$\overline{\text{CHG}}$ is an open-drain output that indicates charger status. $\overline{\text{CHG}}$ goes low during charge cycles where V_{BAT} is greater than 3V and I_{BAT} is greater than 7.5% of the maximum charge current set by R_{SET1} . The MAX8601 EV kit uses a red LED to signal charging cycles.

$\overline{\text{FLT}}$ Output

The MAX8601 contains an open-drain $\overline{\text{FLT}}$ output to signal the user when a fault occurs. $\overline{\text{FLT}}$ goes low when the prequalified timer expires and the battery voltage has not exceeded 3V (typ), or when the fast-charge timer expires and the battery current has not dropped below 7.5% (typ) of the maximum fast-charge current set by R_{SET1} . Toggle $\overline{\text{EN}}$ or the input power to clear the $\overline{\text{FLT}}$ indicator.

$\overline{\text{POK}}$ Output

The MAX8601 contains an open-drain $\overline{\text{POK}}$ output that goes low when a valid input source is detected at DC or USB. A valid input source is one whose voltage exceeds the rising UVLO threshold of 4V, exceeds the battery voltage by 255mV, and does not exceed 7.5V. After a valid input has been established, charging is sustained with inputs as low as 3.5V as long as the input remains above the battery by at least 55mV. $\overline{\text{POK}}$ is high impedance when the charger is disabled.

MAX8601 Evaluation Kit

THM Input

The MAX8601 monitors battery temperature through a negative TC thermistor in close thermal contact with the battery. Select a thermistor resistance that is $10\text{k}\Omega$ at $+25^\circ\text{C}$ and has a beta of 3500. The IC compares the resistance from THM to GND and suspends charging when it is greater than $28.3\text{k}\Omega$ or less than $3.94\text{k}\Omega$, translating to battery temperatures of 0°C and $+50^\circ\text{C}$, respectively. Remove the shunt from JU4 and connect the thermistor from the THM pad to GND to use the THM function. Connect a shunt across JU4 to disable the THM function.

Jumper Settings

Table 2. Jumper JU1 (USEL Control)

JU1 SHUNT LOCATION	USEL	MODE
On	Connect to GND	95mA USB charge current
Off	Connected to VIN	475mA USB charge current

Table 3. Jumper JU2 Function (EN Control)

JU2 SHUNT LOCATION	$\overline{\text{EN}}$	MODE
On	Connected to VIN	Disabled
Off	Connect to GND	Enabled

Table 4. Jumper JU3 Function (SETI Resistor Selection)

JU3 SHUNT LOCATION	SETI RESISTOR ($\text{k}\Omega$)	CHARGE CURRENT
Off	3.01	500mA
Pins 1 and 2	2.00	750mA
Pins 2 and 3	1.50	1A

Table 5. Jumper JU4 Function (THM Control)

JU4 SHUNT LOCATION	THM	THM CONDITION
On	Connected to GND	Disabled
Off	Connect to an external thermistor	Enabled

MAX8601 Evaluation Kit

Evaluates: MAX8600/MAX8601

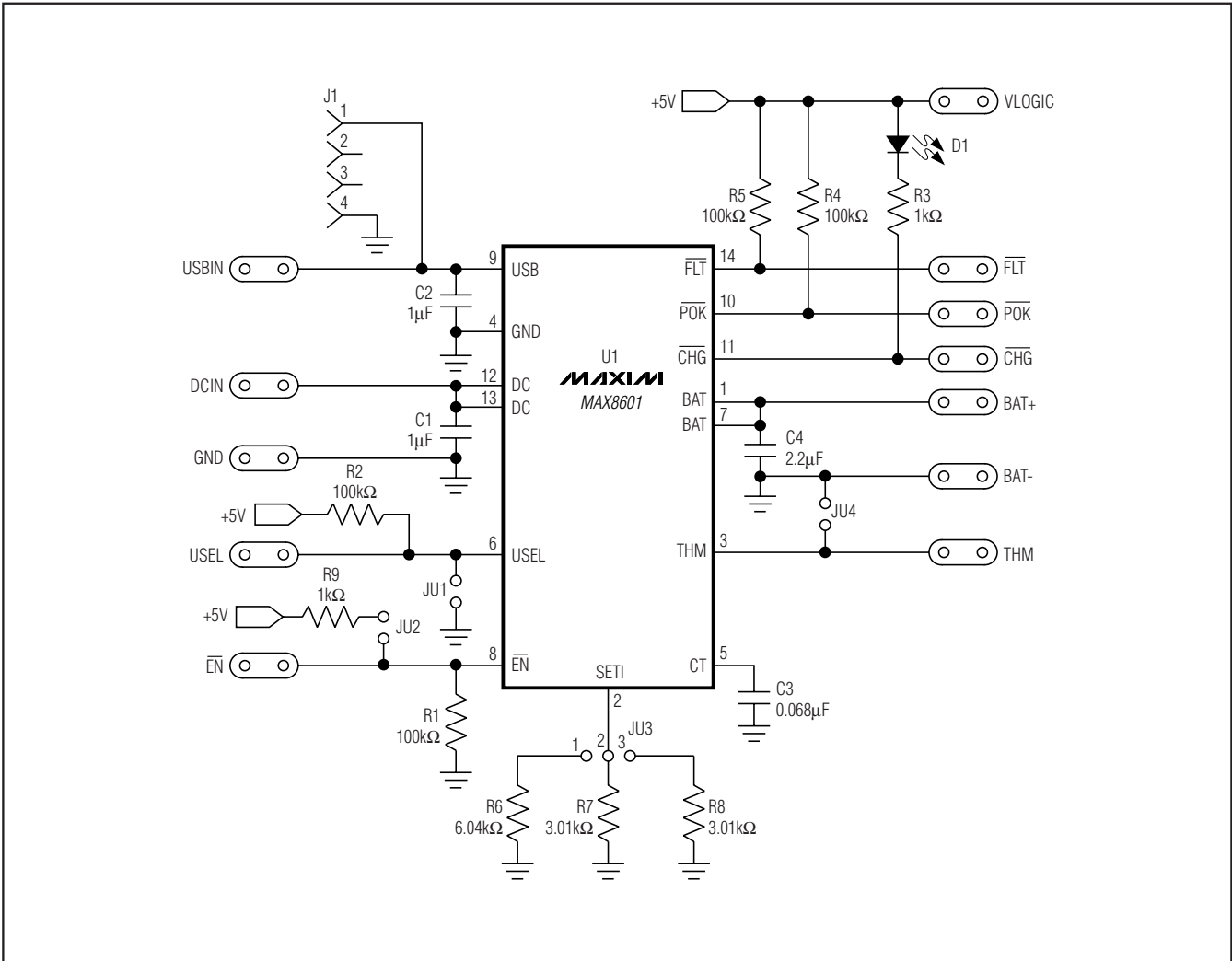


Figure 1. MAX8601 EV Kit Schematic

MAX8601 Evaluation Kit

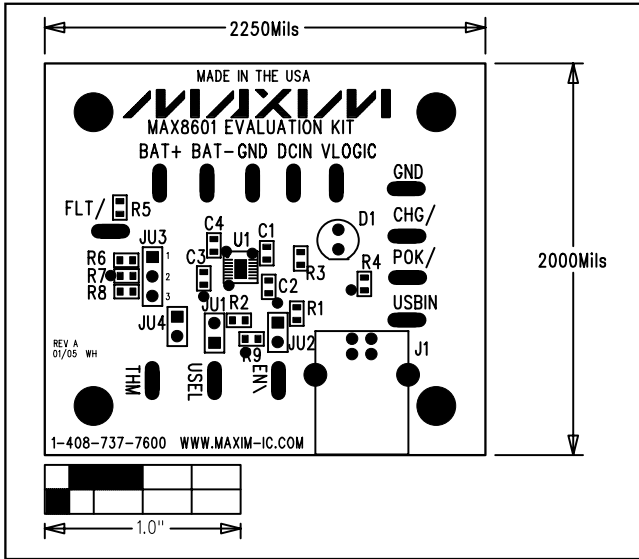


Figure 2. MAX8601 EV Kit Component Placement Guide—Top Silkscreen

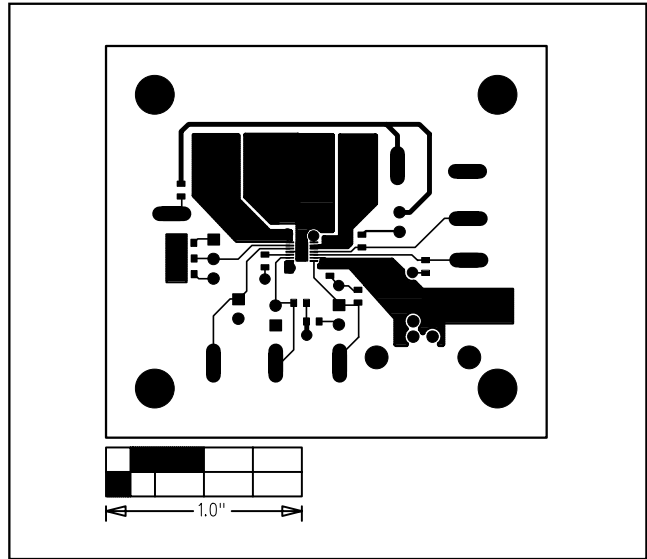


Figure 3. MAX8601 EV Kit PC Board Layout—Component Side

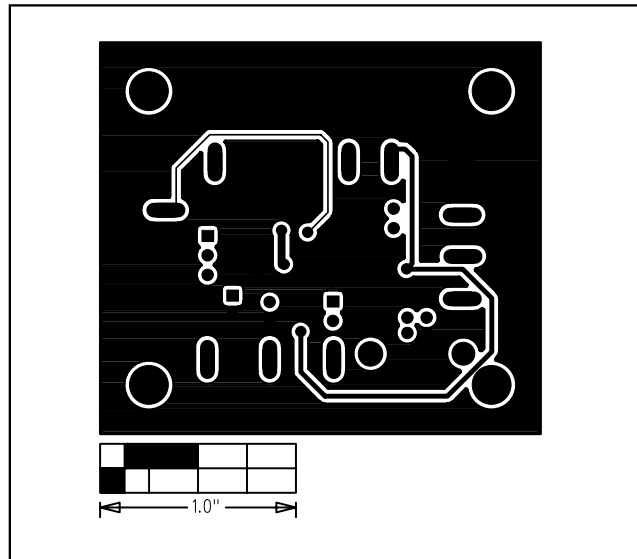


Figure 4. MAX8601 EV Kit PC Board Layout—Solder Side

Maxim cannot assume responsibility for use of any circuitry other than circuitry entirely embodied in a Maxim product. No circuit patent licenses are implied. Maxim reserves the right to change the circuitry and specifications without notice at any time.

6 _____ **Maxim Integrated Products, 120 San Gabriel Drive, Sunnyvale, CA 94086 408-737-7600**