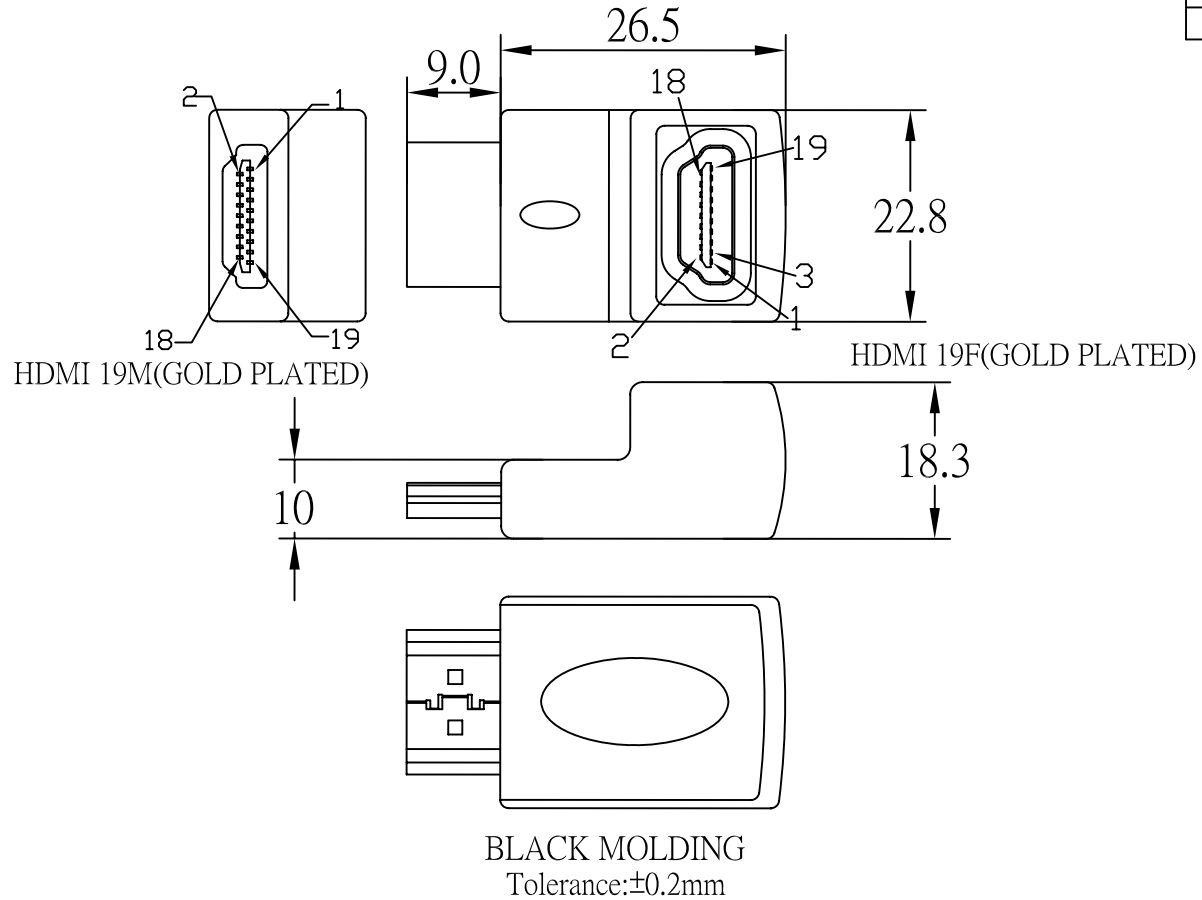


REV.	DESCRIPTION	ENG.	APPROVAL



NOTE:

1. CABLE:UL1007,30#,PVC JACKET.
2. LENGTH: 26.5mm.
3. CONNECTOR:HDMI 19M*1PCS,HDMI 19F*1PCS.(BLACK INSULATOR,GOLD PLATED)
4. MOLD:BLACK MOLDING
5. CONTACTS:

HDMI19M	3	1	2	6	4	5	9	7	8	12	10	11	13	14	15	16	17	18	19	64
HDMI19F	3	1	2	6	4	5	9	7	8	12	10	11	13	14	15	16	17	18	19	64

6. OPEN/SHORT TEST:100% TEST.
INSULATION:5M

TITLE: P142-000-UP		APPD		
		Check	XIE	
		Drawer	XYP	Date 2011.3.31
		Unit	mm	Projection ⊥
		Scale	1:1	Size. A4
DWG.NO:		Sheet	1 of	REV. A