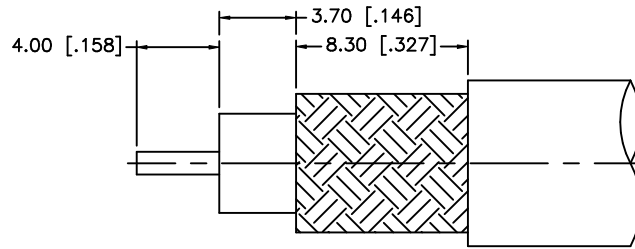
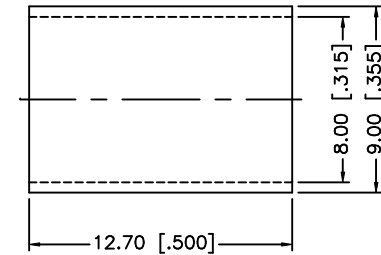
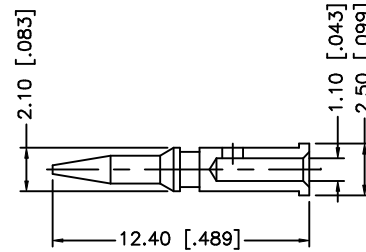
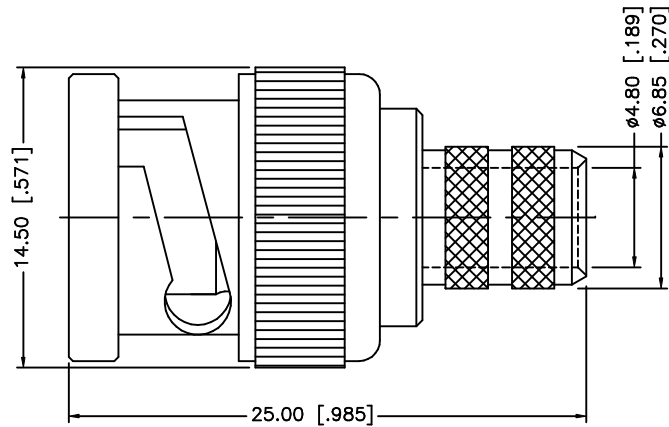


| REV. | DATE | DESCRIPTION |
|------|----------|-----------------------|
| A | 01/10/04 | UPDATE DRAWING FORMAT |
| B | 11/16/05 | ADD CRIMP NOTES |



RECOMMENDED CABLE STRIPPING DIM'S



NOTE:

1. CRIMPED FERRULE
HEX CRIMP SIZE .320"
2. CRIMPED CONTACT PIN,
HEX CRIMP SIZE .068"

| | | | | |
|---|-------------|----------|---------|-----|
| 8 | | | | |
| 7 | | | | |
| 6 | | | | |
| 5 | | | | |
| 4 | FERRULE | COPPER | NICKEL | 1 |
| 3 | CONTACT PIN | BRASS | GOLD | 1 |
| 2 | INSULATOR | DELTRIN | NATURAL | 1 |
| 1 | BODY | BRASS | NICKEL | 1 |
| | DESCRIPTION | MATERIAL | FINISH | QTY |

UNLESS OTHERWISE SPECIFIED DIMENSIONS ARE IN MILLIMETERS. DIMENSIONS IN [] ARE IN INCHES AND FOR CUSTOMER REFERENCE ONLY.

UNLESS OTHERWISE SPECIFIED TOLERANCES FOR MILLIMETERS ARE:
0.5 - 8mm ± 0.20mm
8 - 30mm ± 0.40mm
30 - 120mm ± 0.50mm

UNLESS OTHERWISE SPECIFIED TOLERANCES FOR INCHES ARE:
.020 - .315 = ± 0.007"
.315 - 1.180 = ± 0.015"
1.180 - 4.724 = ± 0.020"

DO NOT SCALE DRAWING

| APPROVALS | | DATE |
|-----------|-------------------|----------|
| DRAWN | G.R.S. | 11/16/05 |
| CHECKED | | |
| ISSUED | | |
| SHEET | 1 OF 1 | |
| CAD FILE | C:/112/112508.DWG | |

Amphenol Connex

| | | | |
|---------------------------------------|------------|--------|----|
| PART DESCRIPTION | | | |
| BNC CRIMP PLUG RG-6/U CABLE - 75 ohms | | | |
| PART NO. | | 112508 | |
| DWG. NO. | 112508.DWG | REV. | B |
| SIZE | A | SCALE | NA |