

THIS DRAWING IS UNPUBLISHED. RELEASED FOR PUBLICATION  
 © COPYRIGHT BY TYCO ELECTRONICS CORPORATION. ALL RIGHTS RESERVED.

LOC		DIST		REVISIONS			
P	LTR	DESCRIPTION	DATE	DWN	APVD		
0		REVISED PER 0G3B-0992-03	05-MAR-04	SH	SR		

D

C

B

A

D

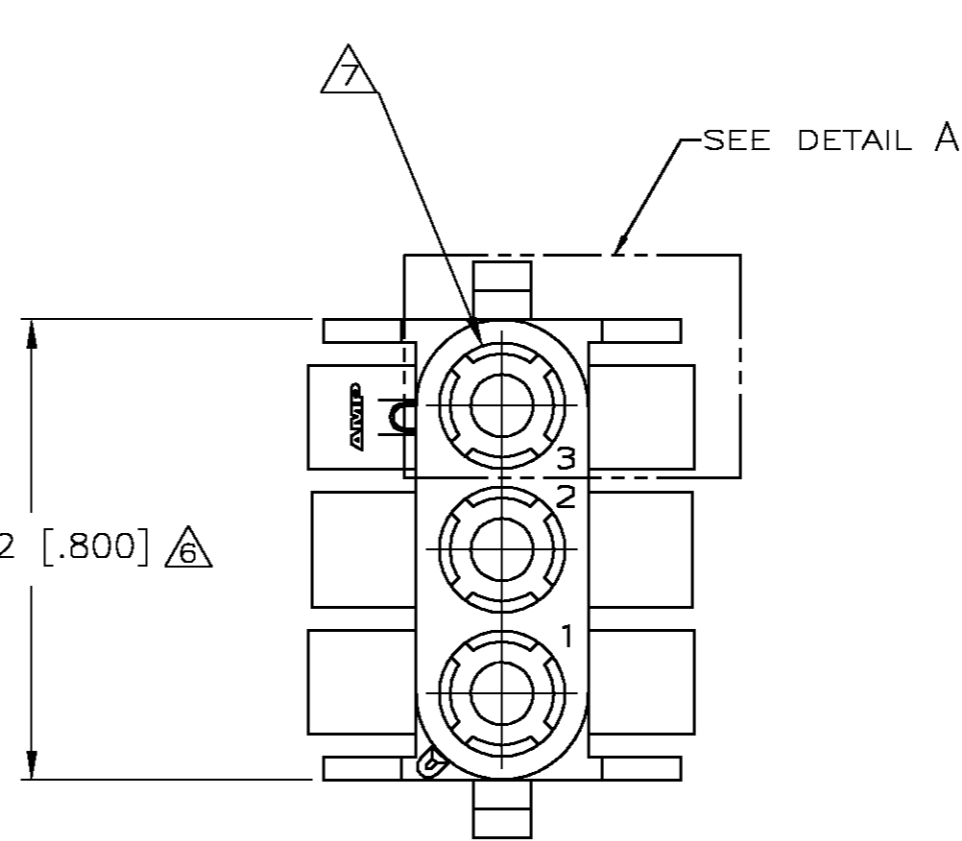
C

B

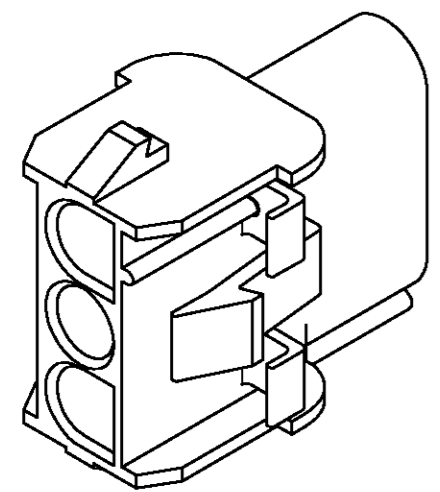
A



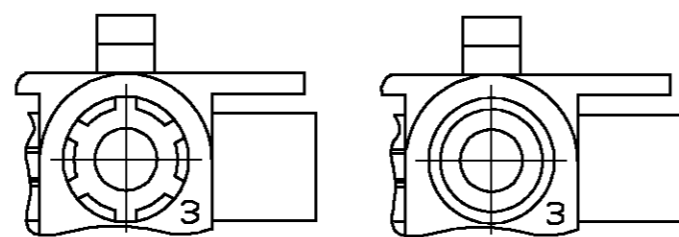
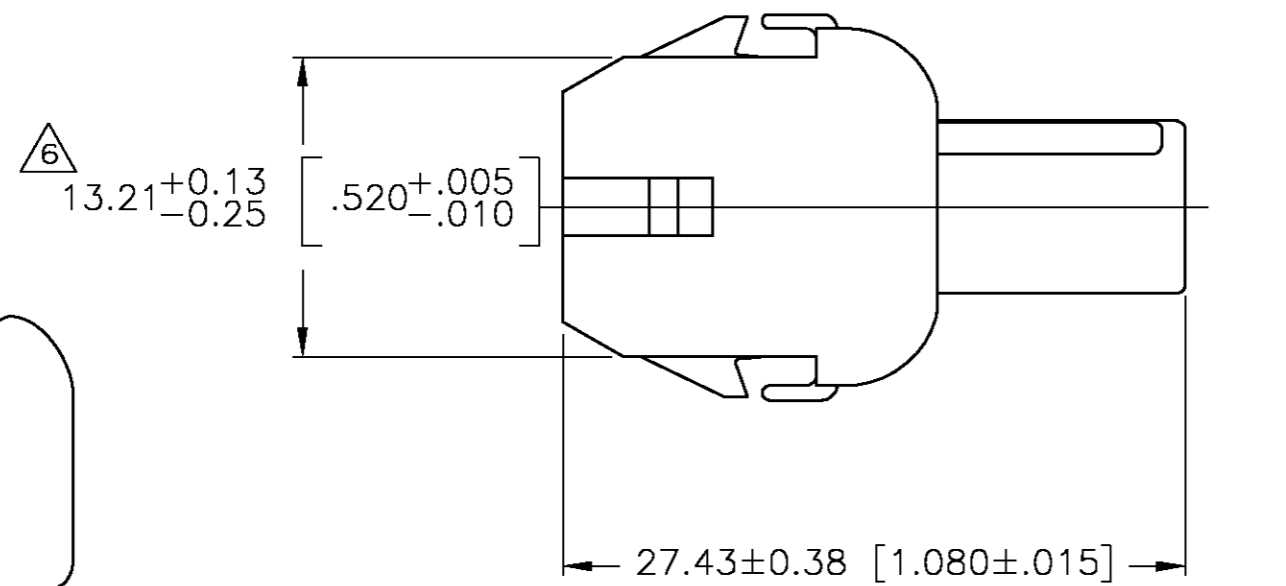
20.32 [.800] 6



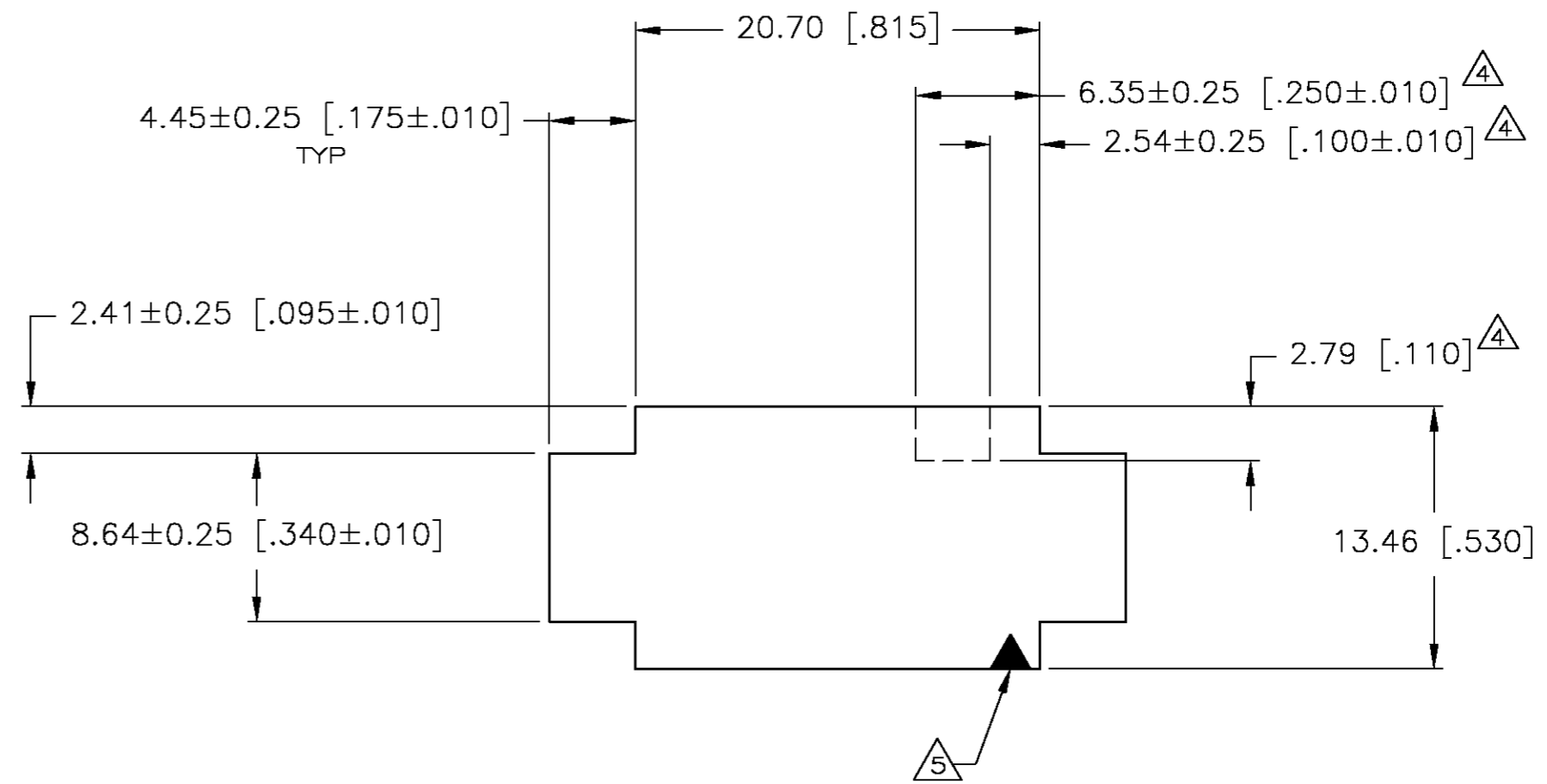
- MATES WITH APPROPRIATE UNIVERSAL MATE-N-LOK™ PLUG.
  - RECOMMENDED PANEL THICKNESS 0.76 [.030]-2.29 [.090].
  - PANEL MUST BE PUNCHED SO THAT THE HOUSING ENTERS THE PANEL IN THE SAME DIRECTION AS THE PUNCH.
- 4 OPTIONAL FOR KEYING HOUSING IN PANEL.
  - 5 CIRCUIT NUMBER 1 LOCATION.
  - 6 DIMENSION INDICATED IS AS MOLDED. ADDITIONAL GROWTH DUE TO SUBSEQUENT MOISTURE ABSORPTION MAY OCCUR.
  - 7 FOUR RIBS EQUALLY SPACED, NO SPECIFIC ORIENTATION. NO RIBS OR SIX RIBS EQUALLY SPACED, NO SPECIFIC ORIENTATION, OPTIONAL.
  - 8 UNDERWRITERS RECOGNIZED COMPONENT LOGO AND CSA CERTIFICATION LOGO TO BE LOCATED ONCE EACH ON SIDE OF HOUSING.



3-DIMENSIONAL MODEL NTS



DETAIL A  
OPTIONAL CONSTRUCTIONS



RECOMMENDED PANEL CUT OUT

1586378

BLACK	1586378-1
COLOR	PART NUMBER

THIS DRAWING IS A CONTROLLED DOCUMENT.		DWN S. HOOVER 05-MAR-2004	Tyco Electronics Corporation Harrisburg, Pa 17105-3608	
DIMENSIONS: mm [INCHES]		CHK S. RIDGILL 05-MAR-2004		
TOLERANCES UNLESS OTHERWISE SPECIFIED:		APVD S. RIDGILL 05-MAR-2004	NAME CAP, 3 CIRCUIT, UV RESISTANT UNIVERSAL MATE-N-LOK™	
0 PLC ± 1 PLC ± 2 PLC ± 0.13 [.005] 3 PLC ± 4 PLC ± ANGLES ± FINISH ±		PRODUCT SPEC	RESTRICTED TO	
MATERIAL NYLON, UL 94V-2		APPLICATION SPEC	SIZE A2	CAGE CODE 00779
METRIC		WEIGHT	DRAWING NO C=1586378	
		CUSTOMER DRAWING	SCALE 4:1	SHEET 1 OF 1
			REV 0	