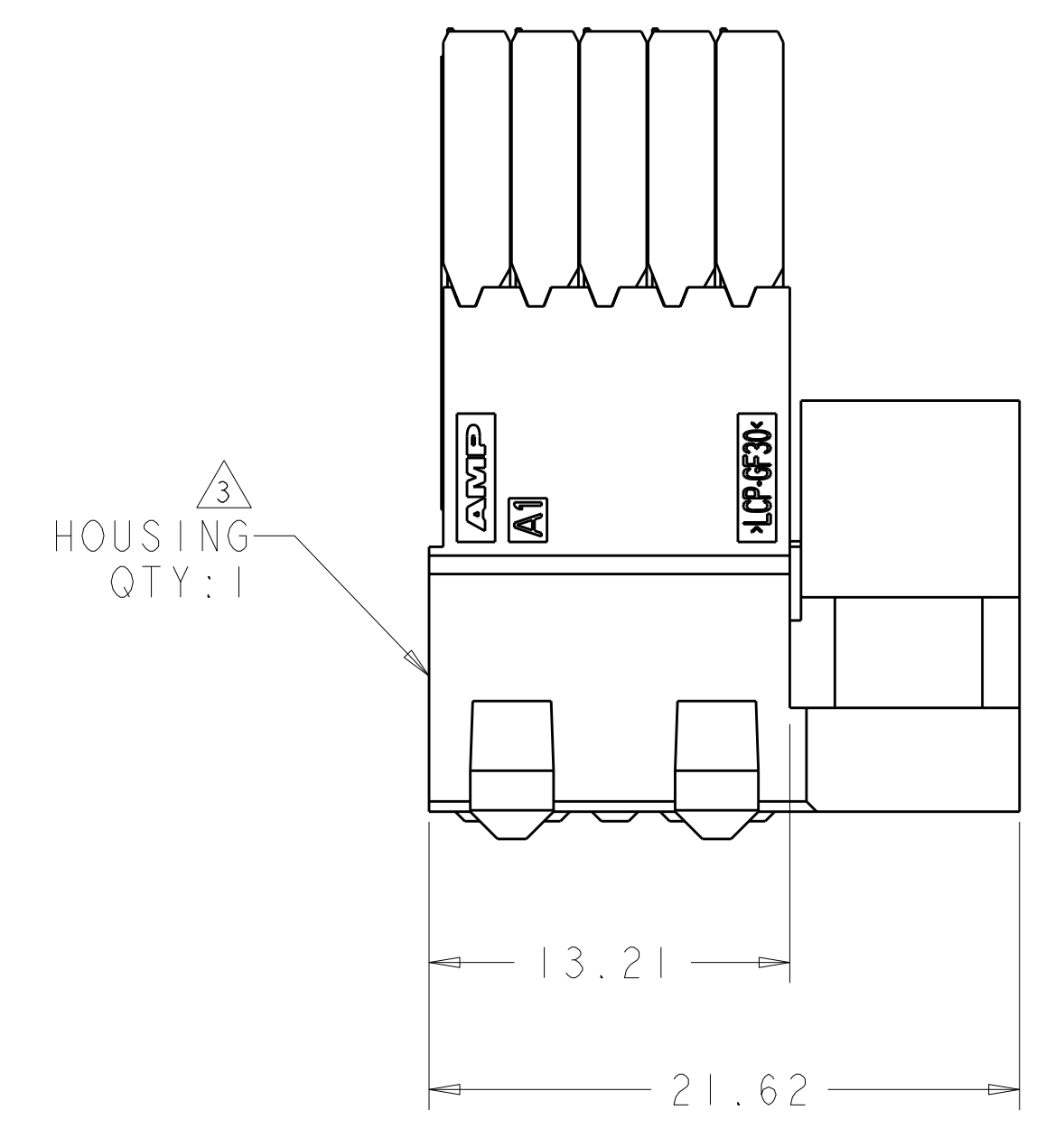
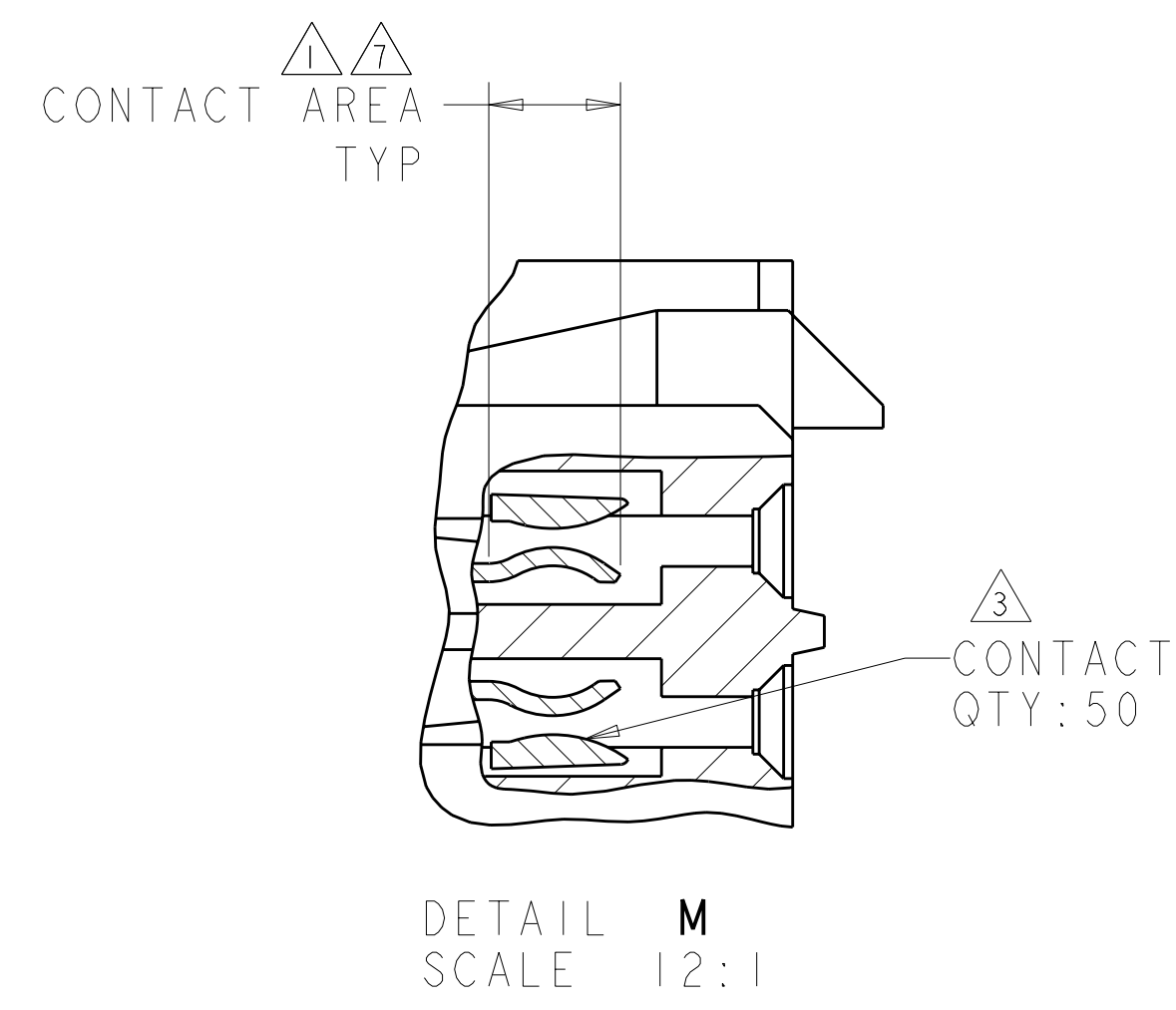
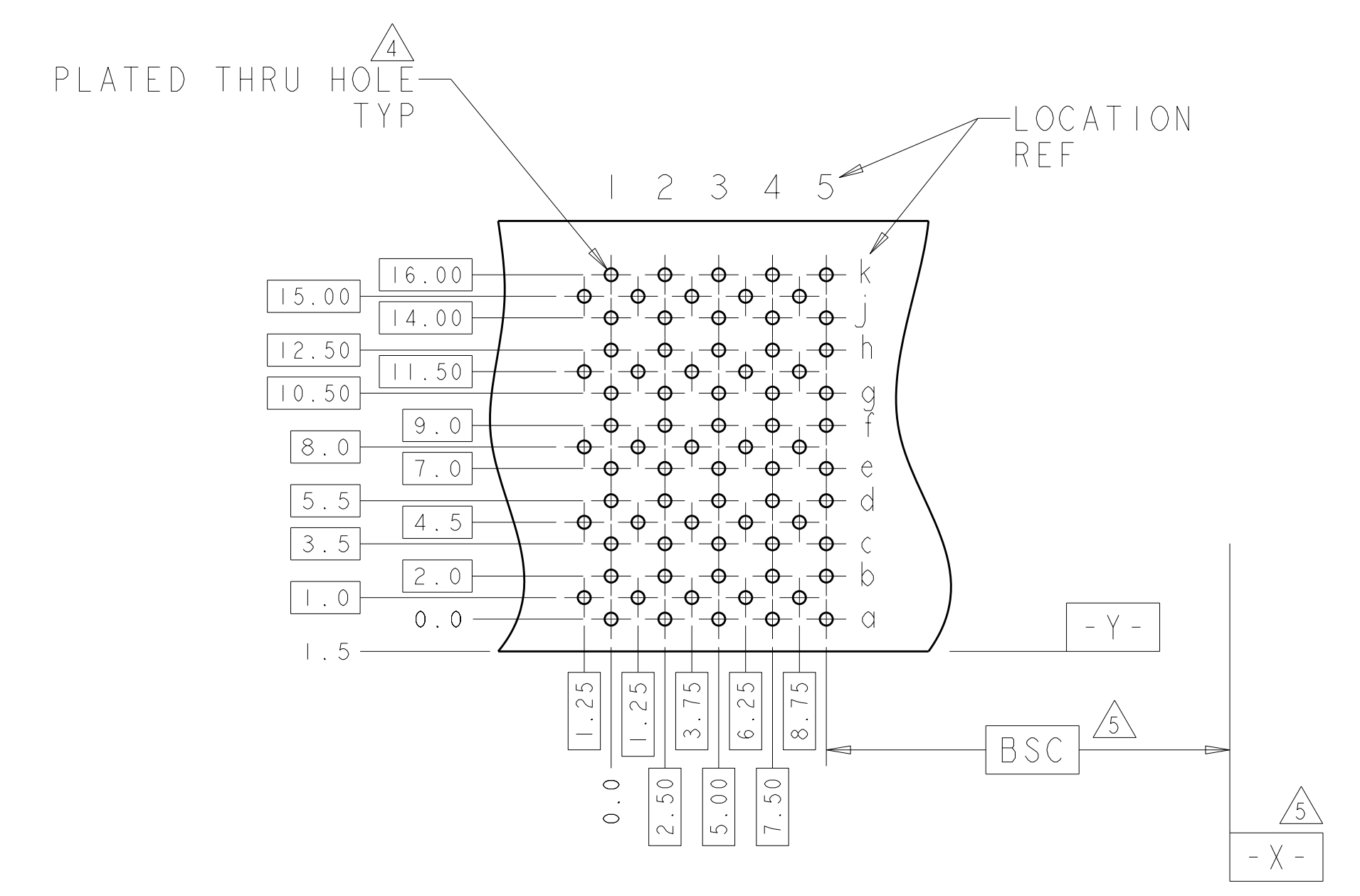
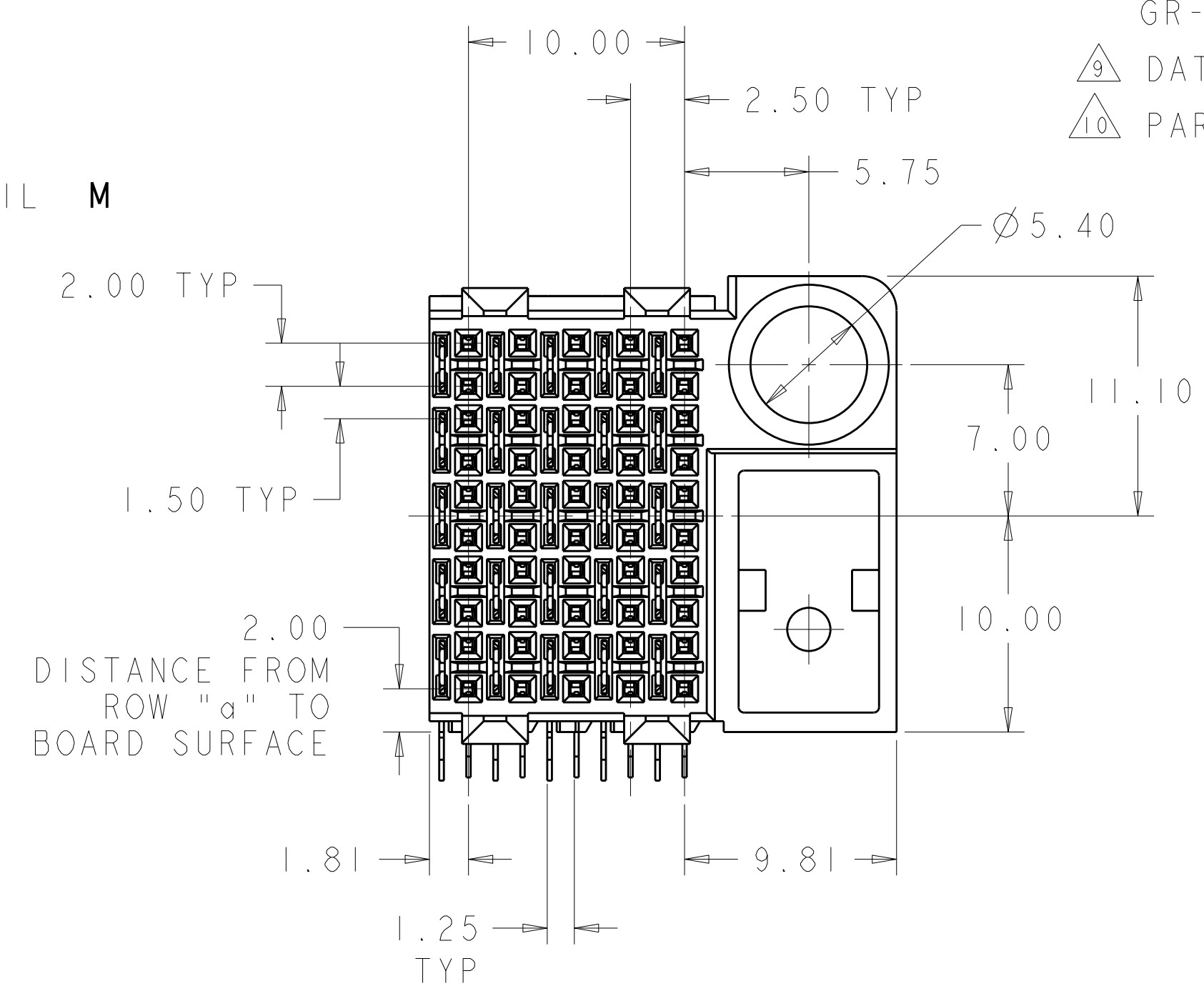
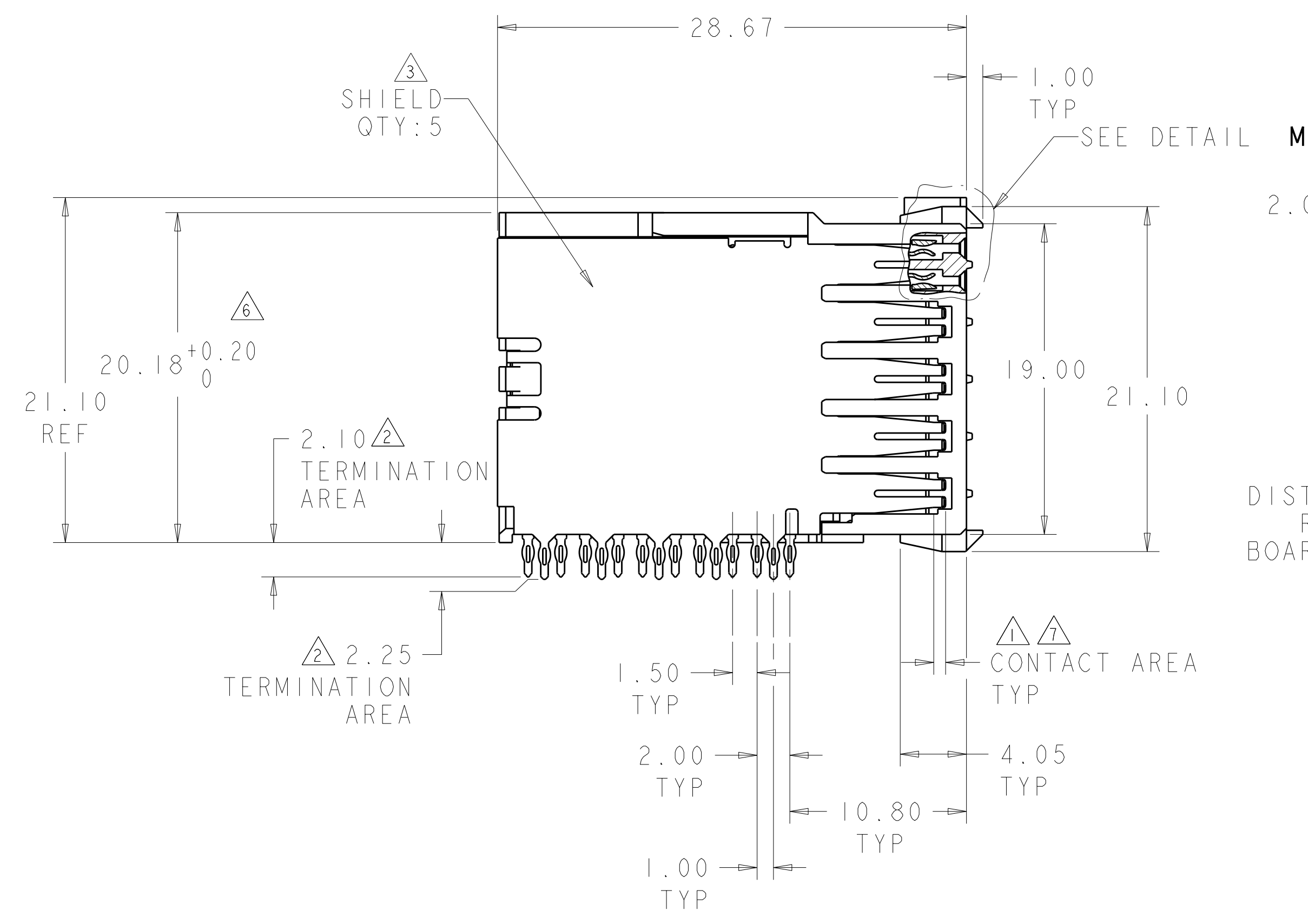


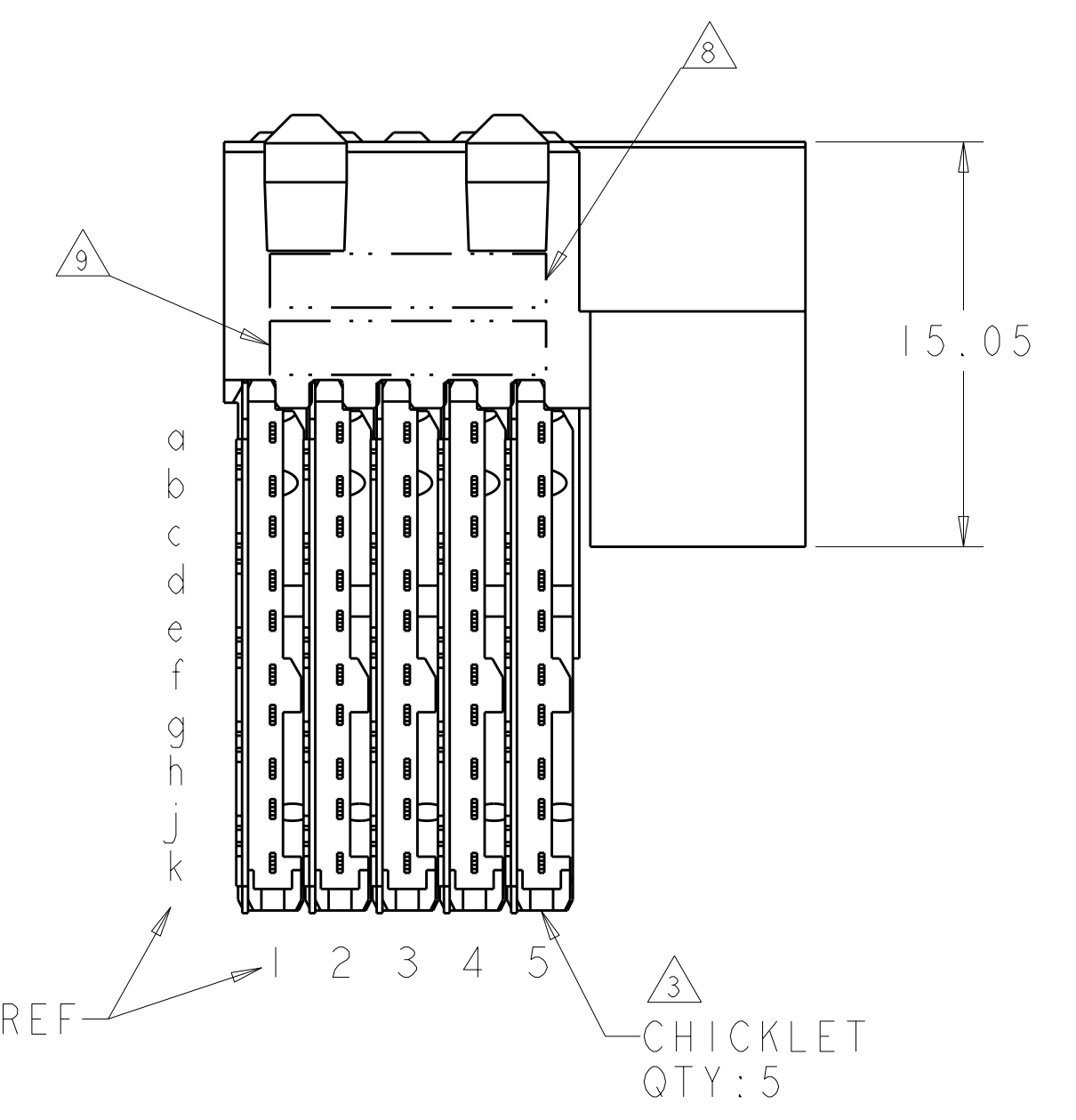
LOC	DIST	REV	DATE	BY	APPD
AD	00	A	13JUL2011	HMR	MH



- △ CONTACT MATING AREA MEETS THE PERFORMANCE REQUIREMENTS OF TE CONNECTIVITY PRODUCT SPECIFICATION 108-1957; BASED ON TELCORDIA GR-1217-CORE, APPLICATIONS IN UNCONTROLLED ENVIRONMENTS.
- △ 0.76µm MIN TIN OVER 1.27µm MIN NICKEL
- △ MATERIAL: CONTACT - COPPER ALLOY
SHIELD - PHOSPHOR BRONZE
HOUSING - LCP, UL94V-0
CHICKLET - GLASS FILLED POLYESTER
- △ REFERENCE APPLICATION SPEC 114-13020 FOR RECOMMENDED PLATED THRU HOLE DIAMETER AND PLATING THICKNESS.
- △ DATUM AND BASIC DIMENSION ESTABLISHED BY CUSTOMER.
- △ SEATING HEIGHT TO BOARD SURFACE.
- △ CONTACT AREA LUBRICATED WITH BELLCORE APPROVED LUBRICANT. TECHNICAL REFERENCE: GR-1217-CORE, ISSUE 1, NOVEMBER 1995.
- △ DATE CODE
- △ PART NUMBER



RECOMMENDED PRINTED
 CIRCUIT BOARD LAYOUT
 COMPONENT SIDE OF PRINTED CIRCUIT BOARD



5120794-1
 PART NUMBER

THIS DRAWING IS A CONTROLLED DOCUMENT.		DWN: B. CARBO 08DEC04	TE Connectivity
DIMENSIONS: mm		CHK: R. PATTERSON 08DEC04	
TOLERANCES UNLESS OTHERWISE SPECIFIED:		APVD: R. PATTERSON 08DEC04	NAME: RECEPTACLE ASSEMBLY, 50 POSITION UNIVERSAL GUIDE PIN, RIGHT HAND, 10 ROW, DUAL BEAM, Z-PACK HS3
9 PLC ±0.2	3 PLC ±0.13	PRODUCT SPEC 108-1957	SIZE: CAGE CODE DRAWING NO. RESTRICTED TO
5 PLC ±0.05	4 PLC ±0.05	APPLICATION SPEC 114-13020	A100779C=5120794
ANGLES ±°	WEIGHT	114-13020	SCALE 4:1 SHEET 1 OF 1 REV A
MATERIAL: SOLDER TAIL: CONTACT: △	FINISH: △	CUSTOMER DRAWING	