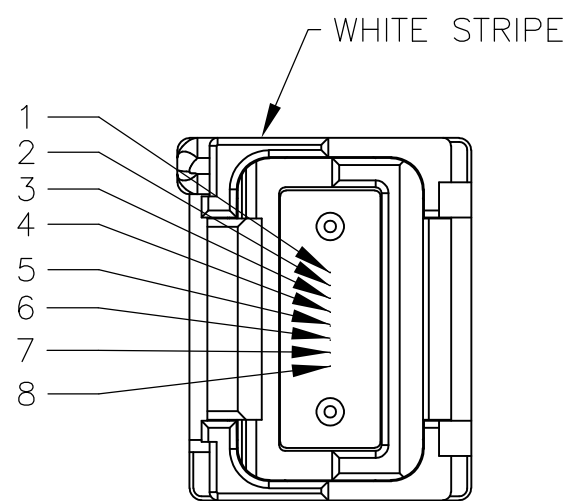
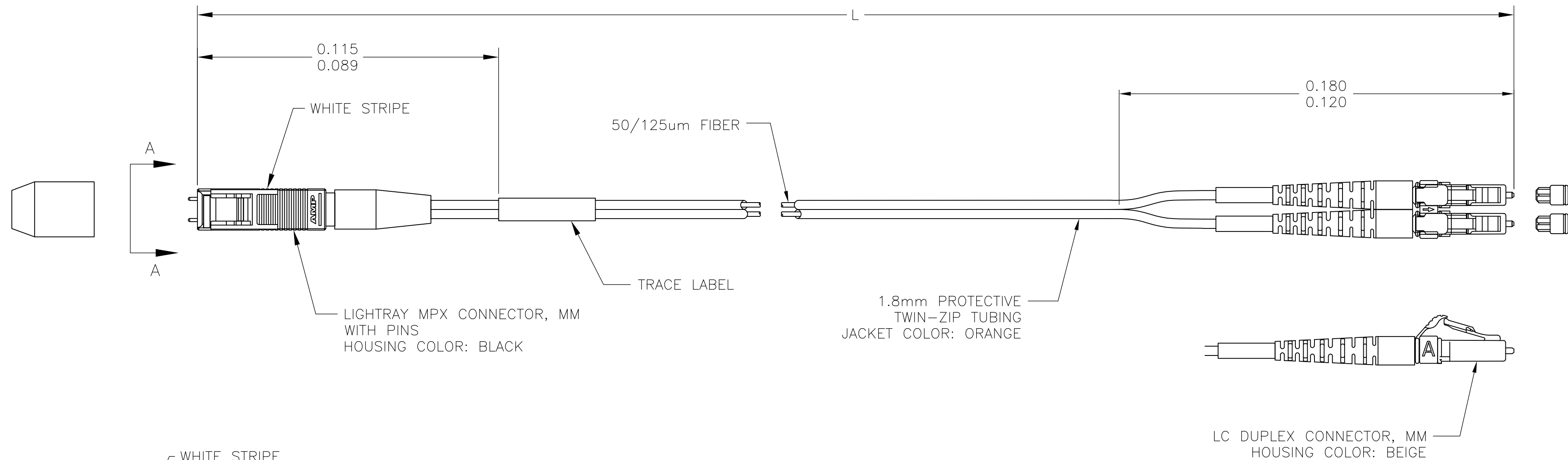


THIS DRAWING IS UNPUBLISHED. RELEASED FOR PUBLICATION
 © COPYRIGHT - By - ALL RIGHTS RESERVED.

LOC	DIST	REVISIONS					
		P	LTR	DESCRIPTION	DATE	DWN	APVD
CE	16	C		ECR-11-020062	05OCT2011	BB	JD

1. MAXIMUM INSERTION LOSS: 0.5 dB MPX
0.5 dB LC
2. PRODUCT AND PROCESSING MUST MEET REQUIREMENTS OF TEC-138-702.



VIEW A-A
NOT TO SCALE

LIGHTRAY MPX CONNECTOR FIBER PATH

FIBER #/ COLOR	LC CONNECTOR	STATUS ⁴
1 BLUE	-	NOT USED
2 ORANGE	-	NOT USED
3 GREEN	-	NOT USED
4 BROWN	B	ACTIVE
5 SLATE	A	ACTIVE
6 WHITE	-	NOT USED
7 RED	-	NOT USED
8 BLACK	-	NOT USED

0.432	0.420	1918515-2
0.662	0.622	1918515-1
MAX	MIN	PART NUMBER
L		

THIS DRAWING IS A CONTROLLED DOCUMENT.		DWN J.W.DAVIS 19JUN06	STE TE Connectivity																						
DIMENSIONS: METERS		CHK J.BARRY 19JUN06																							
TOLERANCES UNLESS OTHERWISE SPECIFIED:		APVD F.McCORKEL 19JUN06	NAME CABLE ASSEMBLY, FIBER OPTIC, 2 FIBER, 50/125 RIBBON CABLE, LIGHTRAY MPX W/PINS TO LC DUPLEX																						
<table border="0"> <tr> <td>0 PLC</td><td>±</td><td>-</td></tr> <tr> <td>1 PLC</td><td>±</td><td>-</td></tr> <tr> <td>2 PLC</td><td>±</td><td>-</td></tr> <tr> <td>3 PLC</td><td>±</td><td>-</td></tr> <tr> <td>4 PLC</td><td>±</td><td>-</td></tr> <tr> <td>ANGLES</td><td>±</td><td>±</td></tr> <tr> <td>FINISH</td><td>-</td><td>-</td></tr> </table>		0 PLC	±	-	1 PLC	±	-	2 PLC	±	-	3 PLC	±	-	4 PLC	±	-	ANGLES	±	±	FINISH	-	-	PRODUCT SPEC - APPLICATION SPEC - WEIGHT -	SIZE A2	CAGE CODE 00779
0 PLC	±	-																							
1 PLC	±	-																							
2 PLC	±	-																							
3 PLC	±	-																							
4 PLC	±	-																							
ANGLES	±	±																							
FINISH	-	-																							
MATERIAL -		CUSTOMER DRAWING	DRAWING NO 1918515	RESTRICTED TO -																					
			SCALE NTS	SHEET 1 OF 1																					
			REV C																						