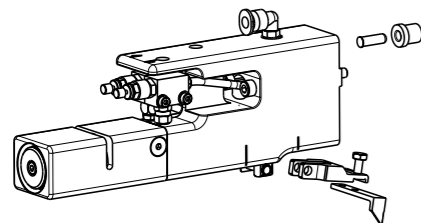


THIS DRAWING IS UNPUBLISHED. RELEASED FOR PUBLICATION 20
 © COPYRIGHT 20 BY - ALL RIGHTS RESERVED.

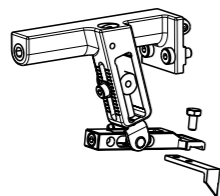
PART NUMBER	REV	FIRST USED
2119951-1	D	-

FEED CONVERSION INSTRUCTIONS:

TO REMOVE EXISTING APPLICATOR FEED COMPONENTS:



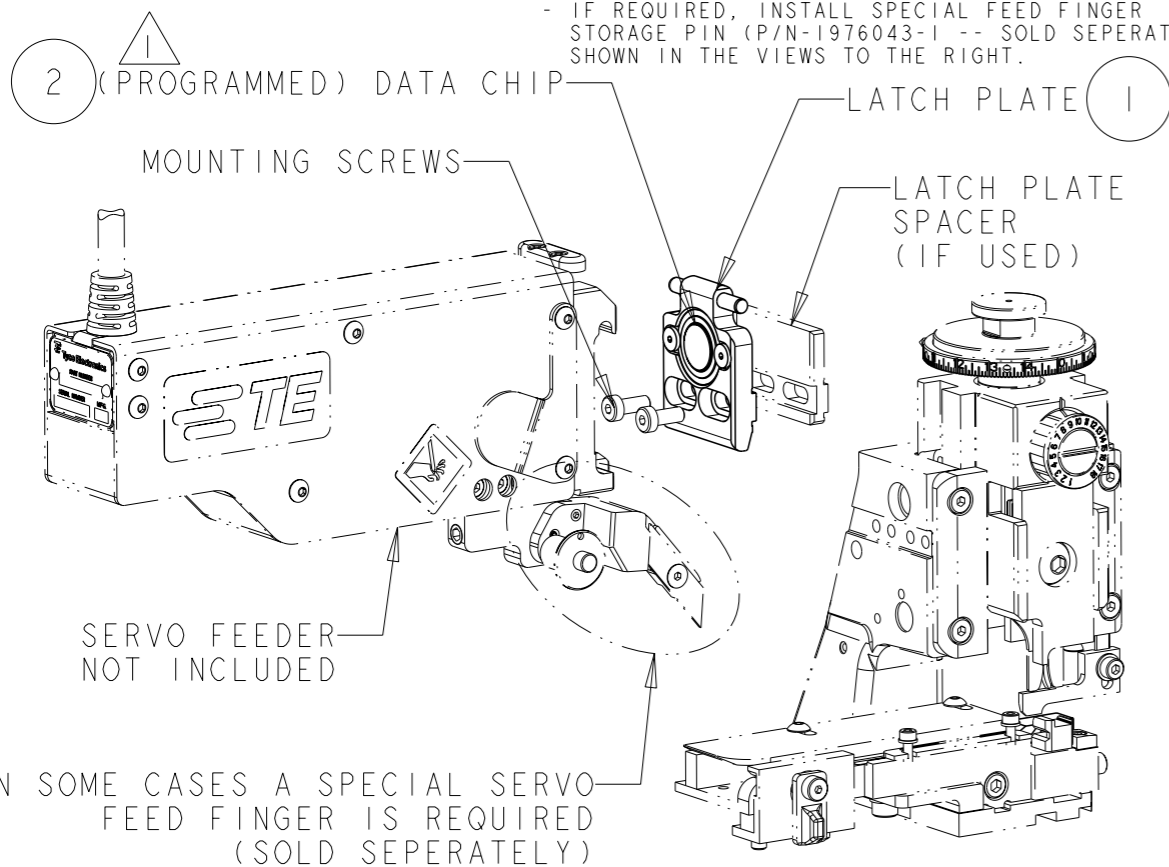
- IF REMOVING PNEUMATIC FEEDER
 - REMOVE THE TWO SOCKET HEAD CAP SCREWS HOLDING THE PNEUMATIC FEEDER ASSEMBLY TO THE APPLICATOR HOUSING
 - REMOVE PNEUMATIC FEEDER ASSEMBLY FROM APPLICATOR
 - REMOVE BUSHING AND PUSH ROD FROM HOLE IN APPLICATOR HOUSING
 - REMOVE PNEUMATIC FEEDER FEED CAM FROM APPLICATOR RAM (SEE INSTRUCTION SHEET 408-10389 OR 408-10390: SECTION 2)



- IF REMOVING MECHANICAL FEEDER
 - REMOVE THE TWO SOCKET HEAD CAP SCREWS HOLDING THE MECHANICAL FEEDER ASSEMBLY TO THE APPLICATOR HOUSING
 - REMOVE MECHANICAL FEEDER ASSEMBLY FROM APPLICATOR
 - REMOVE MECHANICAL FEEDER FEED CAM FROM APPLICATOR RAM AS WELL AS FEED CAM IN SPARE STORAGE LOCATION (SEE INSTRUCTION SHEET 408-10389 OR 408-10390: SECTION 2)

INSTALLING NEW APPLICATOR FEED COMPONENTS:

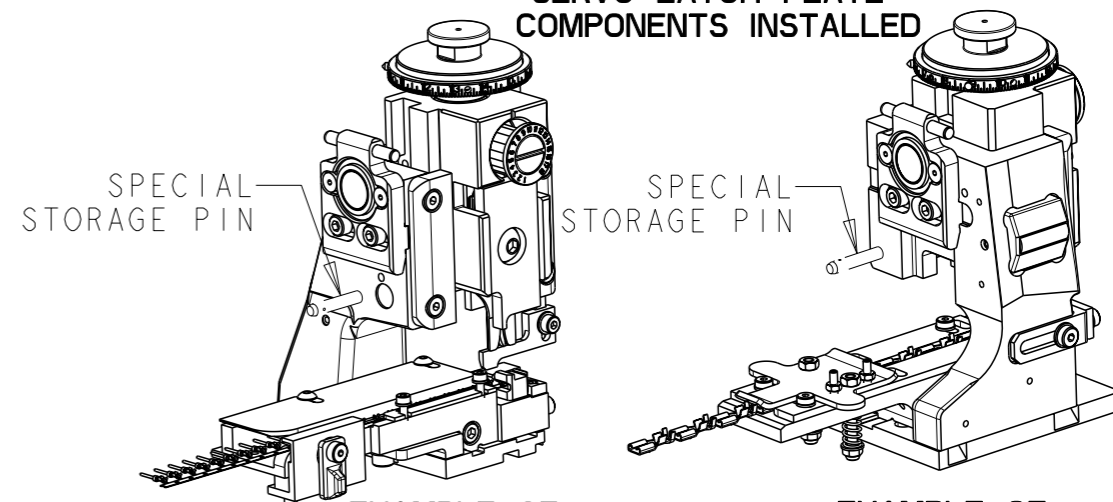
- INSTALLING SERVO FEEDER
 - PLACE LATCH PLATE AND LATCH PLATE SPACER (IF USED) ON KEY SLOT OF APPLICATOR HOUSING
 - INSTALL THE TWO SOCKET HEAD CAP SCREWS HOLDING THE LATCH PLATE TO THE APPLICATOR HOUSING
 - REFER TO INSTRUCTION SHEET 408-10389 OR 408-10390; SECTION 5 FOR PROPER ADJUSTMENT PROCEDURES.
 - IF REQUIRED, INSTALL SPECIAL FEED FINGER STORAGE PIN (P/N-1976043-1 -- SOLD SEPERATELY) SHOWN IN THE VIEWS TO THE RIGHT.



LOC	DIST	REVISIONS			
P	LTR	DESCRIPTION	DATE	DWN	APVD
A	00				
	B	ECR-11-009990	12MAY2011	BW	TE
	D	ECR-11-015447	25JUN2011	BW	DP

- 1 APPLICATOR SPECIFIC DATA TO BE ENTERED INTO BLANK MEMORY CHIP
- 2 PART NUMBER OF PROGRAMMED DATA CHIP NEEDS TO BE IDENTIFIED ON ITEM 3 WITH THE KIT PRIOR TO SHIPPING.

SERVO LATCH PLATE COMPONENTS INSTALLED



EXAMPLE OF SIDE FEED APPLICATOR SHOWN ABOVE

EXAMPLE OF END FEED APPLICATOR SHOWN ABOVE

SEE APPLICATOR STYLE CONVERSION CHART ON APPLICATOR ASSEMBLY DRAWING FOR ITEMS THAT ARE REQUIRED IN ADDITION TO RETROFIT KIT COMPONENTS

1	-	2119951	PRINT, RETRO-FIT KIT, SERVO LATCH PLATE	5
2	-	28786-1	WIRE TIE	4
2	-	2161519-1	CARD, DATA CHIP IDENTIFICATION	3
REF	-	SEE NOTE #1	MEMORY CHIP, PROGRAMMED	2
1	-	1633743-1	SERVO FEED LATCH ASSEMBLY	1
-1	U/M	PART NO	DESCRIPTION	ITEM NO

THIS DRAWING IS A CONTROLLED DOCUMENT.		DWN B. WEAVER 05NOV2010	TE Connectivity	
DIMENSIONS: mm		CHK A. WILL 05NOV2010		
TOLERANCES UNLESS OTHERWISE SPECIFIED:		APVD D. PFAUTZ 05NOV2010	NAME RETROFIT KIT, SERVO LATCH PLATE	
0 PLC ±-		PRODUCT SPEC -	-	
1 PLC ±-		APPLICATION SPEC -	-	
2 PLC ±-		WEIGHT -	SIZE A3	CAGE CODE 00779
3 PLC ±-		CUSTOMER ACCESSIBLE PRODUCTION DRAWING	DRAWING NO C-2119951	RESTRICTED TO -
4 PLC ±-			SCALE 2:5	SHEET 1 OF 1
ANGLES ±-				
FINISH -				