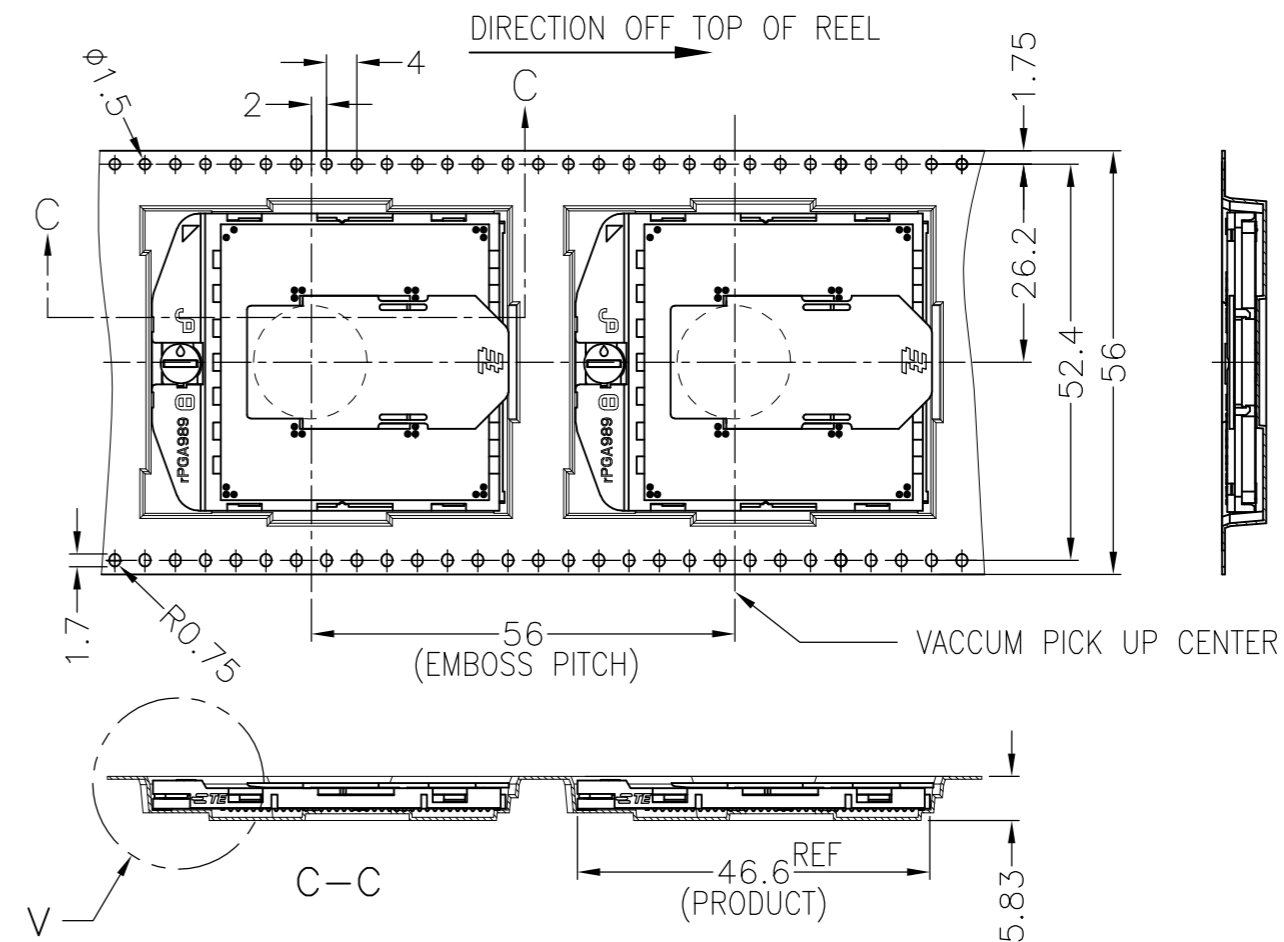
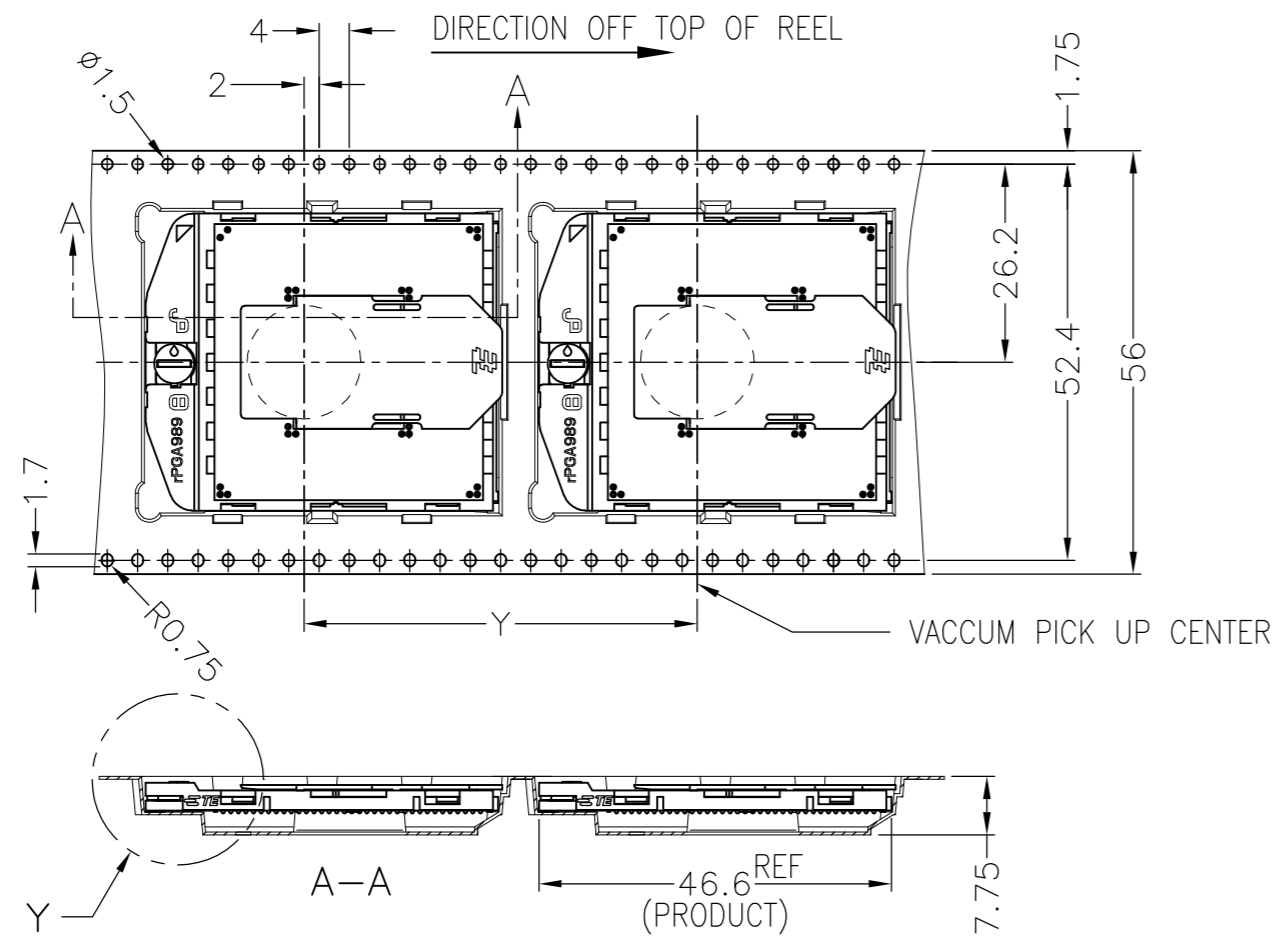


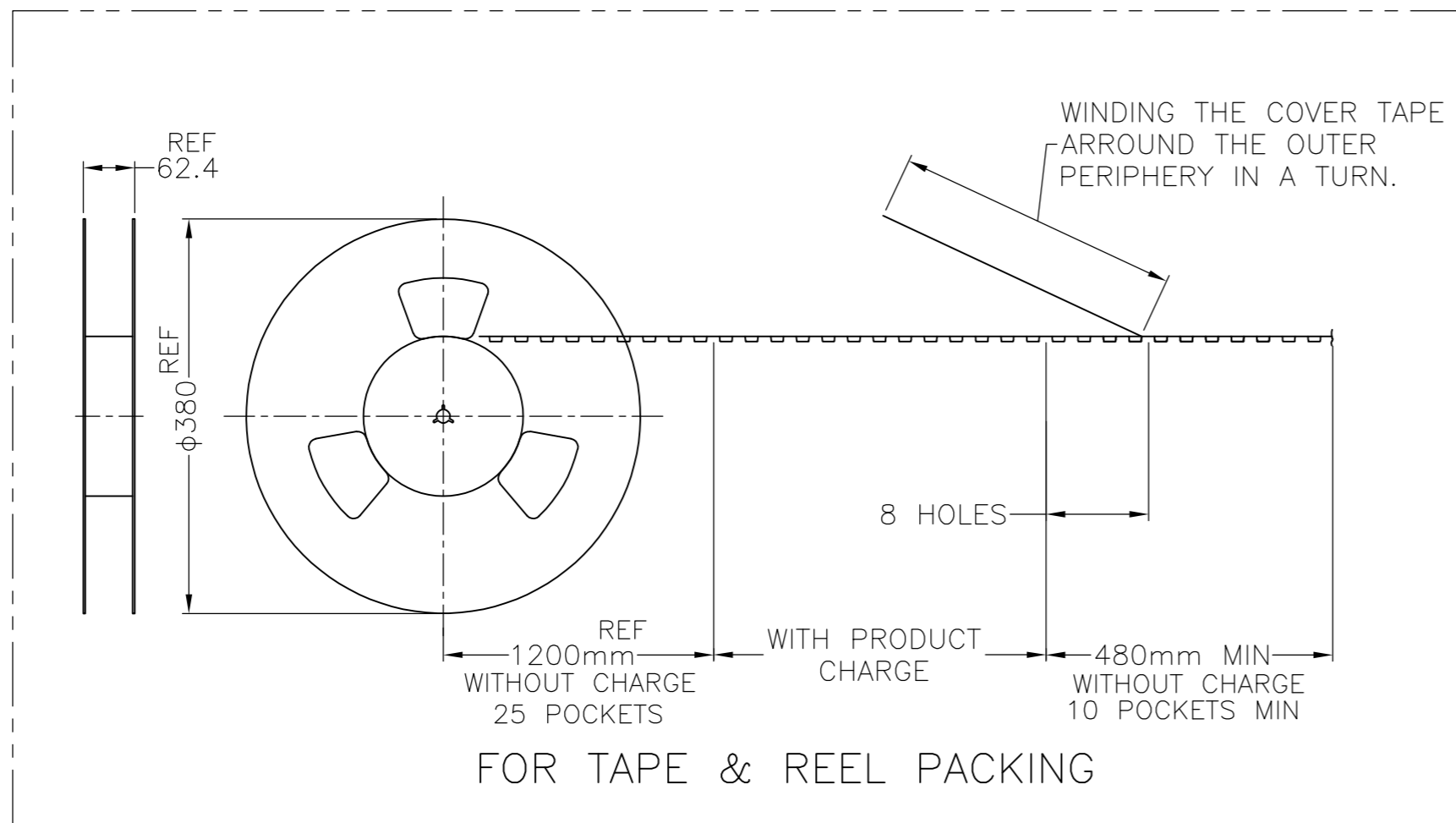
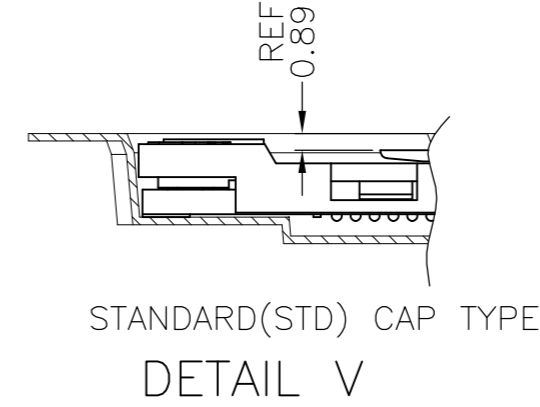
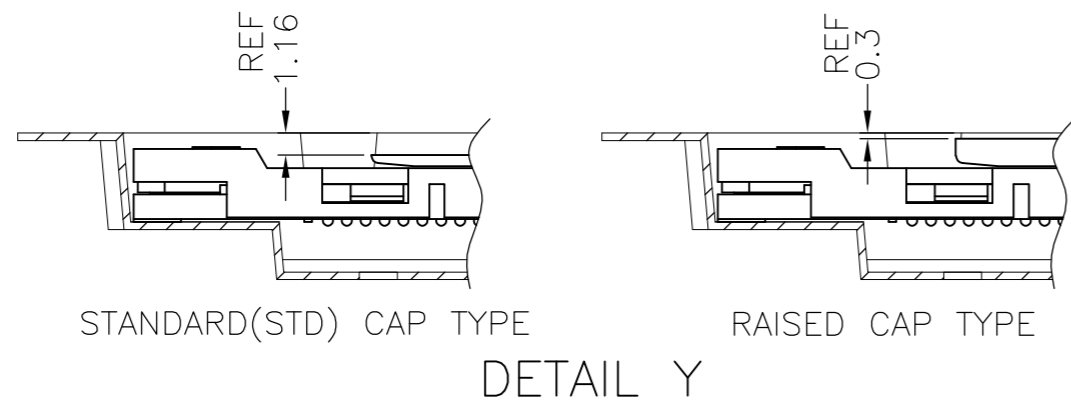
THIS DRAWING IS UNPUBLISHED. RELEASED FOR PUBLICATION  
 © COPYRIGHT - By Tyco Electronics Japan G.K. ALL RIGHTS RESERVED.

LOC		DIST		REVISIONS					
				P	LTR	DESCRIPTION	DATE	DWN	APVD
				E		RELEASED	01FEB2012	N.H	T.N



FOR EMBOSS PACKING  
 160PCS/REEL AND 120PCS/REEL  
 (REFERENCE)

FOR EMBOSS PACKING  
 180PCS/REEL  
 (REFERENCE)



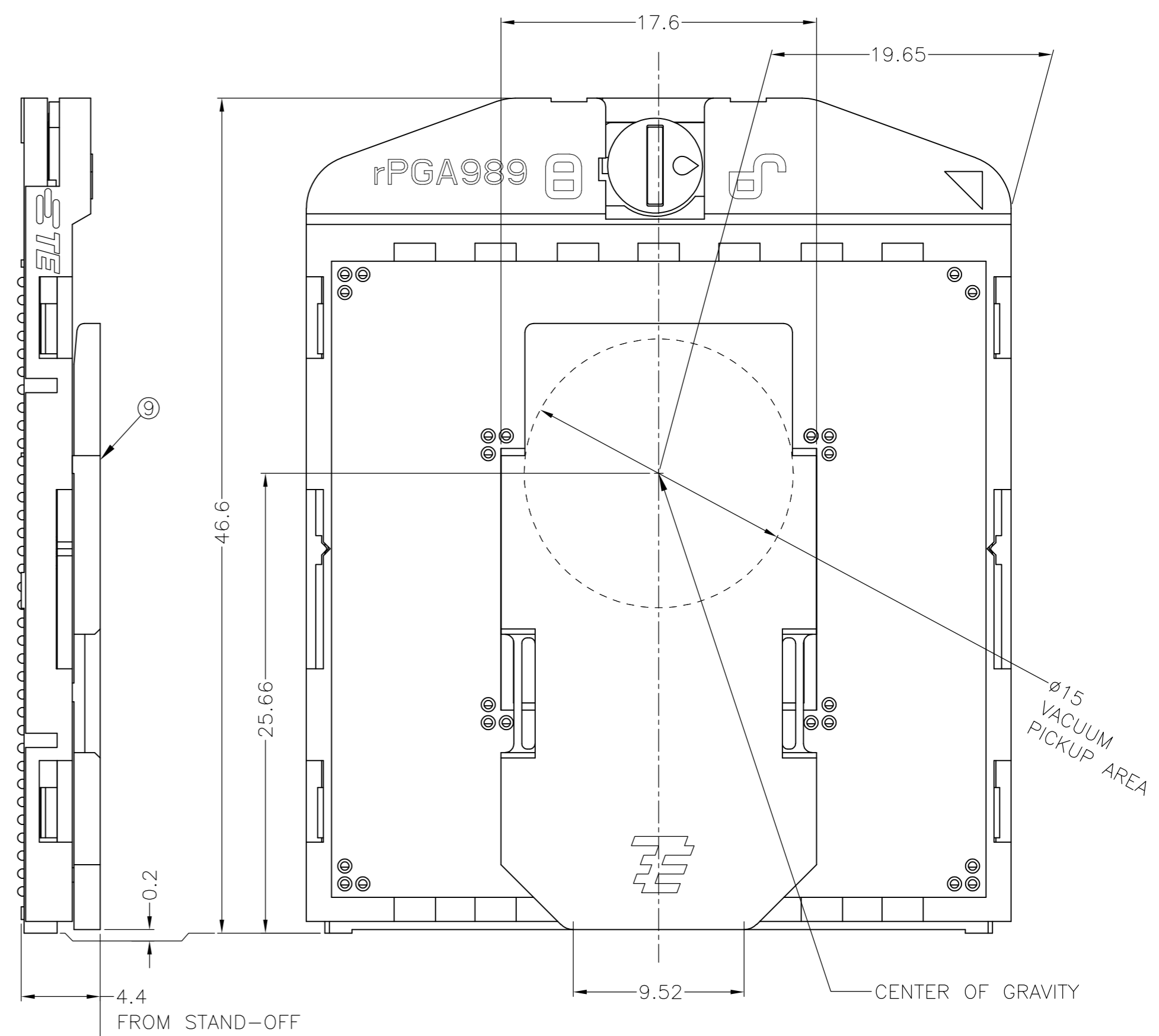
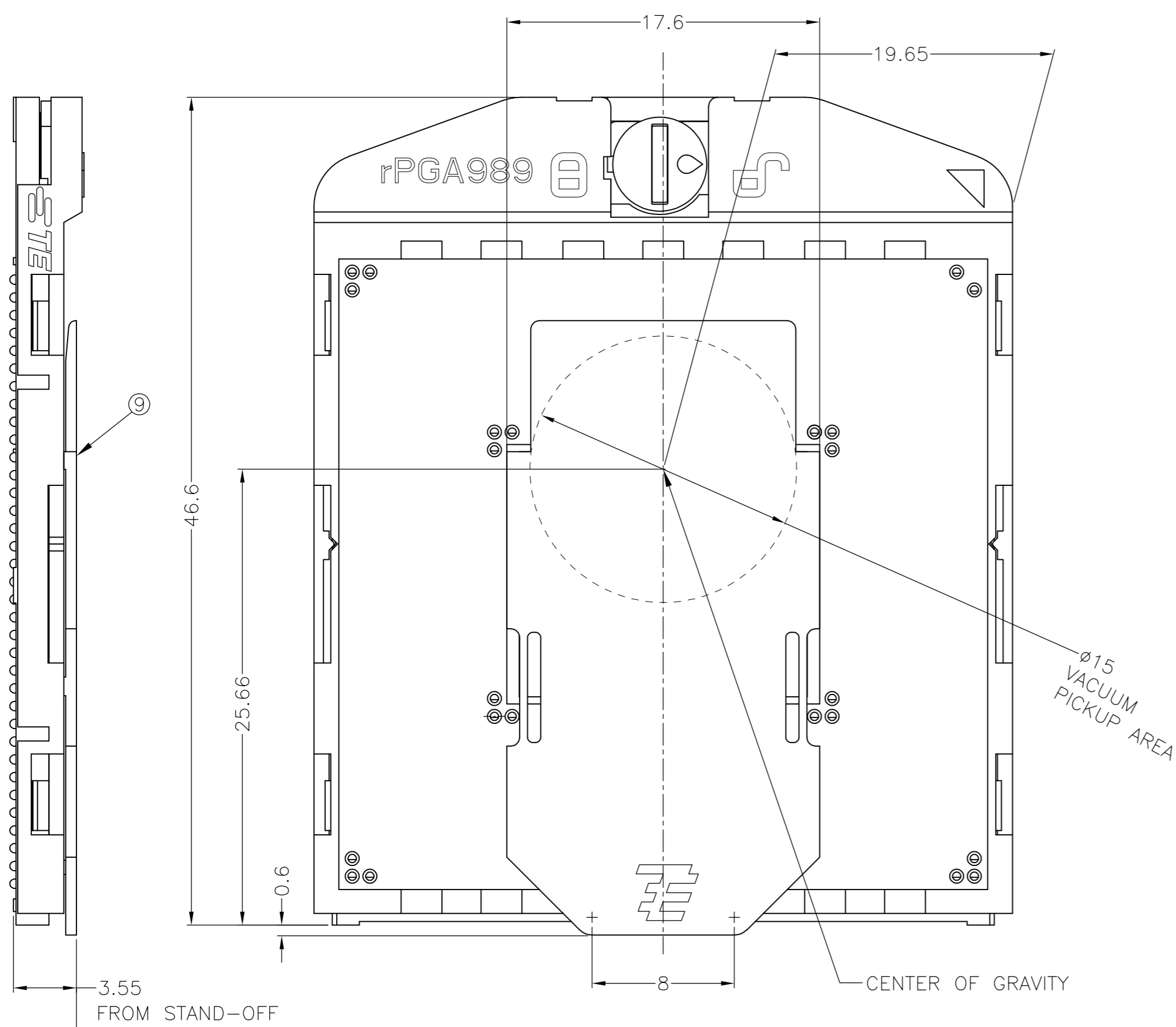
7.8	56	120	TAPE & REEL	RAISED	rPGA989	4-2134146-3
7.7	56	120	TAPE & REEL	STD	rPGA988B	2-2134146-3
7.7	52	160	TAPE & REEL	STD	rPGA988B	2-2134146-2
7.7	56	180	TAPE & REEL	STD	rPGA989	2134146-4
7.7	56	120	TAPE & REEL	STD	rPGA989	2134146-3
7.7	52	160	TAPE & REEL	STD	rPGA989	2134146-2
PRODUCT WEIGHT (g/SOCKET)	DIMENSION Y	SOCKET QTY PER TRAY OR REEL	PACKAGE TYPE	CAP TYPE	SOCKET TYPE	PART NO.

THIS DRAWING IS A CONTROLLED DOCUMENT.

DWN: Y.TAKAHASHI 09JUL'10		SOCKET ASSY rPGA989 & rPGA988X GOLD FLASH PL
CHK: H.TAGUCHI 09JUL'10		
APVD: T.NAKASHIMA 09JUL'10		
PRODUCT SPEC: 108-78742		
MATERIAL: SEE NOTE	APPLICATION SPEC: 114-5495 取付適用規格	SIZE: A2 CAGE CODE: 00779 DRAWING NO: C=2134146
CUSTOMER DRAWING		RESTRICTED TO: - SCALE: NTS SHEET: 1 of 6 REV: E

THIS DRAWING IS UNPUBLISHED. RELEASED FOR PUBLICATION  
 © COPYRIGHT - By Tyco Electronics Japan G.K. ALL RIGHTS RESERVED.

LOC		DIST		REVISIONS			
P	LTR	DESCRIPTION		DATE	DWN	APVD	
-	-	SEE SHEET 1		-	-	-	



STANDARD (STD) CAP TYPE  
 2134146-X, 2-2134146-X, AS SHOWN

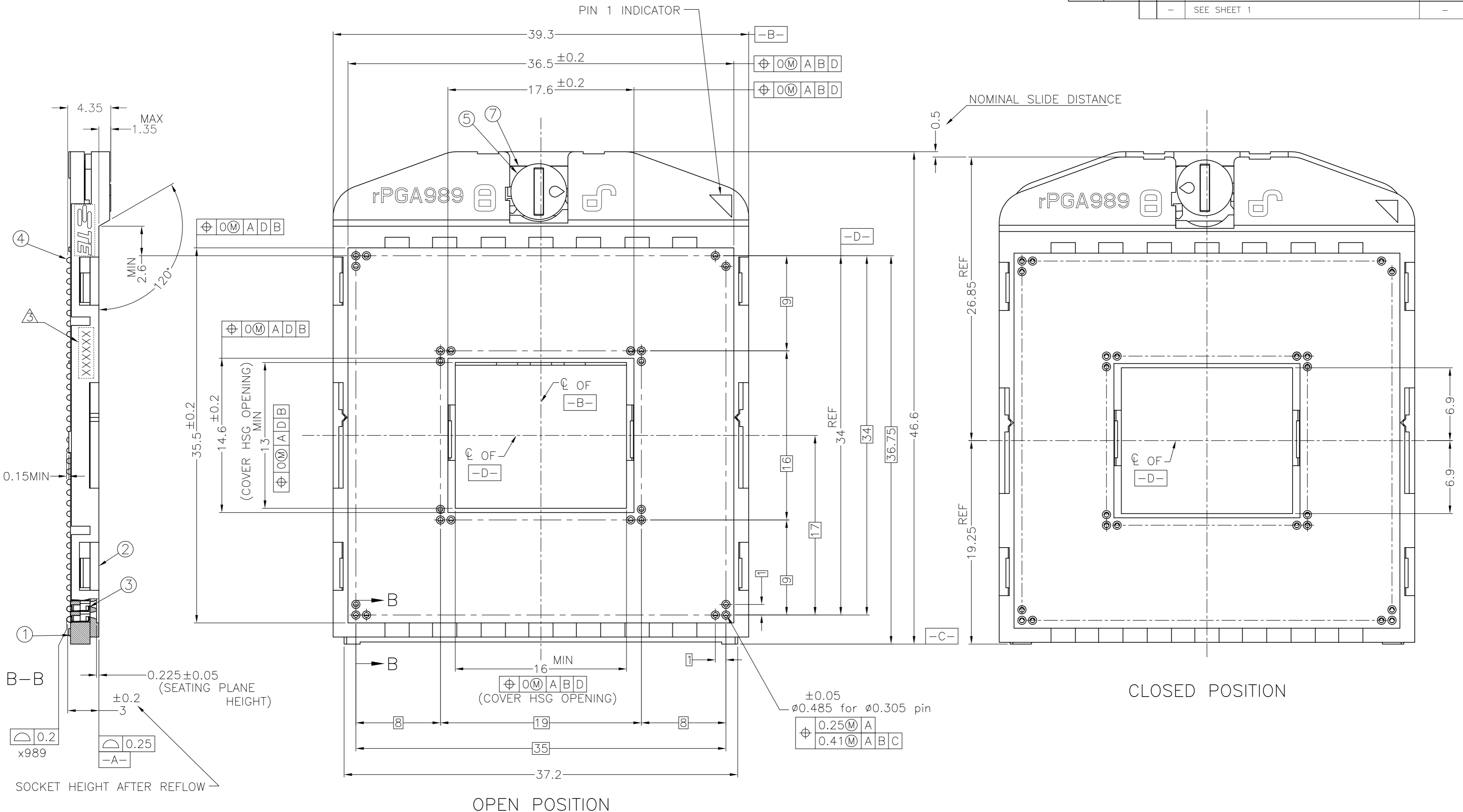
RAISED CAP TYPE  
 4-2134146-X, AS SHOWN

CAP ASSY CONDITION

THIS DRAWING IS A CONTROLLED DOCUMENT.		DWN Y. TAKAHASHI	TE Connectivity	
DIMENSIONS: 単位: 寸 mm		CHK	NAME 名称	
TOLERANCES UNLESS OTHERWISE SPECIFIED: 一般公差		APVD	PRODUCT SPEC 製品規格	
<ul style="list-style-type: none"> <li>Ø-PLC ±0.3</li> <li>1-PLC ±</li> <li>2-PLC ±</li> <li>3-PLC ±</li> <li>4-PLC ±</li> <li>ANGLES ± 1°</li> <li>FINISH 仕上</li> </ul>		PRODUCT SPEC 製品規格	SIZE A2	CAGE CODE 00779
MATERIAL 材料		APPLICATION SPEC 取付適用規格	DRAWING NO 番号 C=2134146	RESTRICTED TO -
		WEIGHT -	SCALE 尺度 NTS	SHEET 2 of 6
		CUSTOMER DRAWING	REV E	

THIS DRAWING IS UNPUBLISHED. RELEASED FOR PUBLICATION  
 © COPYRIGHT - By Tyco Electronics Japan G.K. ALL RIGHTS RESERVED.

LOC		DIST		REVISIONS			
P	LTR	DESCRIPTION		DATE	DWN	APVD	
-	-	SEE SHEET 1		-	-	-	



1. MATERIAL

- ① BASE HOUSING : HIGH TEMP, THERMOPLASTIC, UL94V-0
  - ② COVER HOUSING : HIGH TEMP, THERMOPLASTIC, UL94V-0
  - ③ CONTACT : COPPER ALLOY  
FINISH : GOLD FLASH Au PL. AT CONTACT AREA ON ALL OVER Ni UNDER PL. 0.00127 MIN.
  - ④ SOLDER BALL : Sn/Ag/Cu
  - ⑤ CAM : STAINLESS STEEL
  - ⑥ BASE PLATE : STAINLESS STEEL
  - ⑦ SLIDE PLATE : STAINLESS STEEL
  - ⑧ WASHER : STAINLESS STEEL  
FINISH : W/O PL. OR BLACK Ni PL.
  - ⑨ PnP CAP : HIGH TEMP, THERMOPLASTIC, UL94V-0, BLACK
- △ CAM OPERATION ANGLE : 180DEG  
 △ INDICATED DATE CODE ON THE HSG

rPGA989 AS SHOWN  
 CAP IS REMOVED

2134146-X, 4-2134146-X AS SHOWN

THIS DRAWING IS A CONTROLLED DOCUMENT.		DWN Y. TAKAHASHI	TE Connectivity	
DIMENSIONS: 単位: 純 mm		CHK -	NAME 名称	
TOLERANCES UNLESS OTHERWISE SPECIFIED: 一般公差		APVD -	PRODUCT SPEC 製品規格	
①-PLC ±0.3		APPLICATION SPEC 取付適用規格		
②-PLC ±0.3		SIZE A2		
③-PLC ±0.3		CAGE CODE 00779		
④-PLC ±0.3		DRAWING NO 番号 C=2134146		
ANGLES ±		RESTRICTED TO -		
FINISH 仕上		WEIGHT -		
MATERIAL 材料		SCALE 尺度 NTS		
		SHEET 3 of 6		
		REV E		

THIS DRAWING IS UNPUBLISHED. RELEASED FOR PUBLICATION  
 © COPYRIGHT - By Tyco Electronics Japan G.K. ALL RIGHTS RESERVED.

LOC	DIST	REVISONS					
-	-	P	LTR	DESCRIPTION	DATE	DWN	APVD
		-	-	SEE SHEET 1	-	-	-

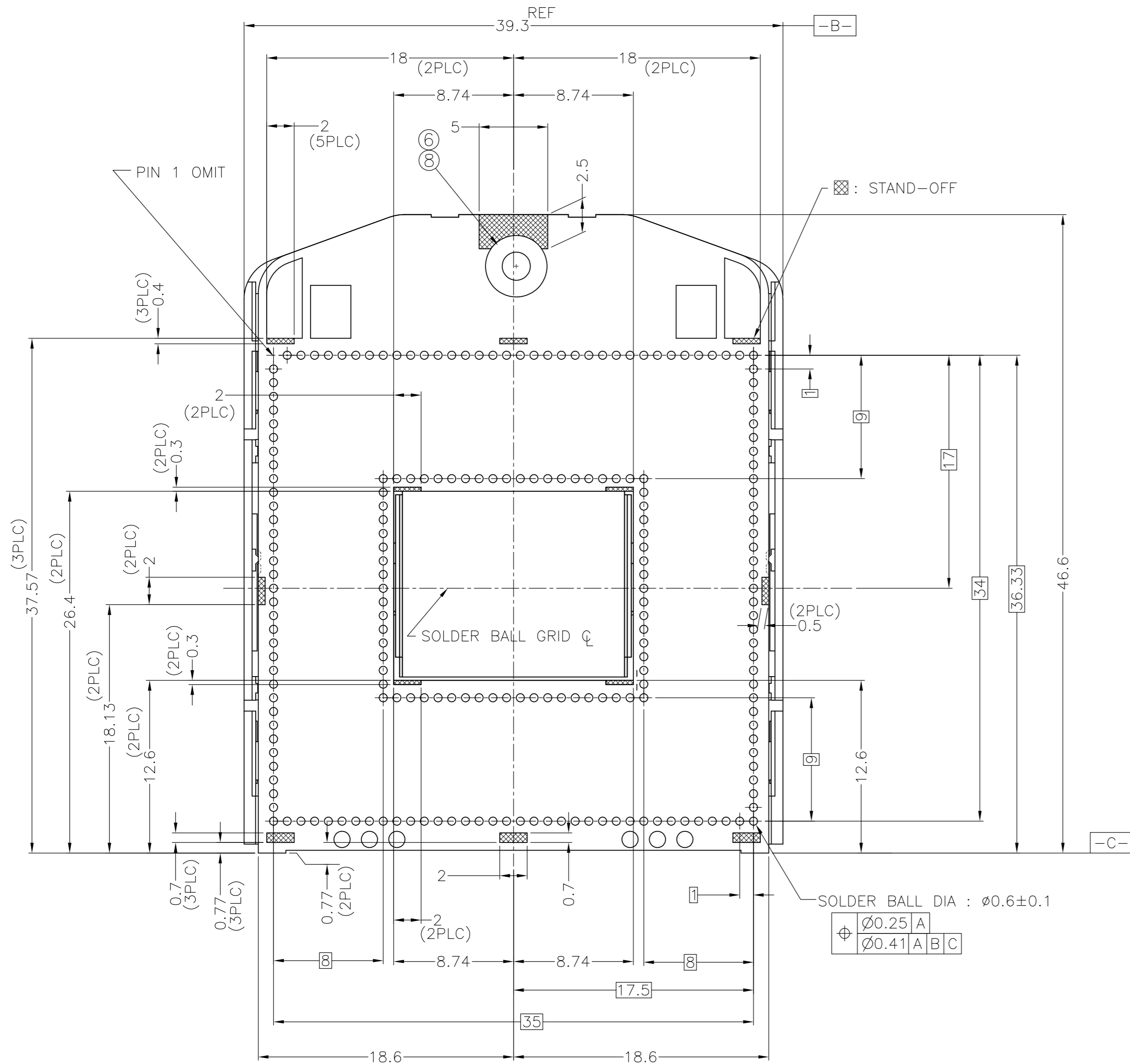
PACKAGE ORIENTATION	PRODUCT TOP VIEW (WITHOUT CAP)		PRODUCT BOTTOM VIEW
	rPGA989	rPGA988B	rPGA989/988B
STANDARD	<p>989 COVER HOLES 989 SOLDER BALLS</p>	<p>988 COVER HOLES 989 SOLDER BALLS</p>	<p>PIN 1 OMIT</p>

DETAIL Z COVER HOLE CONFIGURATION	
<p>rPGA989</p>	<p>rPGA988B</p>

THIS DRAWING IS A CONTROLLED DOCUMENT.		DWN Y.TAKAHASHI 09JUL'10		
DIMENSIONS: 単位: 寸 mm		CHK -		
TOLERANCES UNLESS OTHERWISE SPECIFIED: 一般公差		PRODUCT SPEC 製品規格		NAME 名称
		APPLICATION SPEC 取付適用規格		SIZE A2
MATERIAL 材料		WEIGHT -		CAGE CODE 00779
FINISH 仕上		CUSTOMER DRAWING		DRAWING NO 番号 C=2134146
		SCALE 尺度 NTS		RESTRICTED TO -
		SHEET 4 OF 6		REV E

THIS DRAWING IS UNPUBLISHED. RELEASED FOR PUBLICATION  
 © COPYRIGHT - By Tyco Electronics Japan G.K. ALL RIGHTS RESERVED.

LOC		DIST		REVISIONS			
		P	LTR	DESCRIPTION	DATE	DWN	APVD
		-	-	SEE SHEET 1	-	-	-



BOTTOM VIEW  
(OPEN POSITION)

2134146-X, 2-2134146-X, 4-2134146-X AS SHOWN

SOLDER BALL DIA :  $\phi 0.6 \pm 0.1$

$\phi 0.25$	A
$\phi 0.41$	A B C

THIS DRAWING IS A CONTROLLED DOCUMENT.		DWN Y. TAKAHASHI		
DIMENSIONS: 単位: 寸 mm		CHK -		
TOLERANCES UNLESS OTHERWISE SPECIFIED: 一般公差		APVD -	NAME 名称	
$\pm 0.3$ $\pm 3$		PRODUCT SPEC 製品規格	SOCKET ASSY rPGA989 & rPGA988X GOLD FLASH PL	
FINISH 仕上		APPLICATION SPEC 取付適用規格	SIZE A2	CAGE CODE 00779
MATERIAL 材料		WEIGHT -	DRAWING NO 番号 C=2134146	RESTRICTED TO -
CUSTOMER DRAWING			SCALE 尺度 NTS	SHEET 5 of 6
			REV E	

