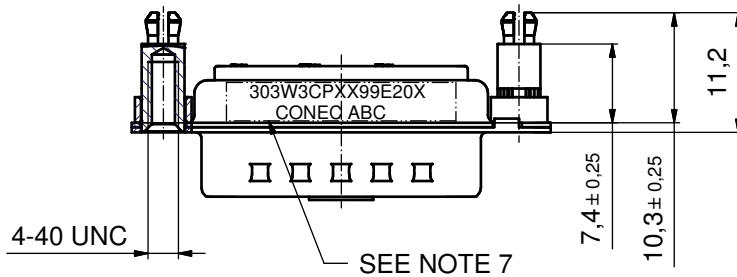
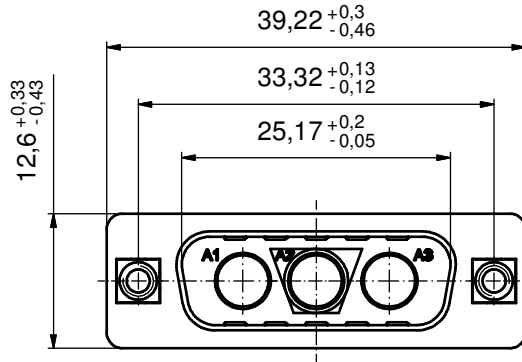
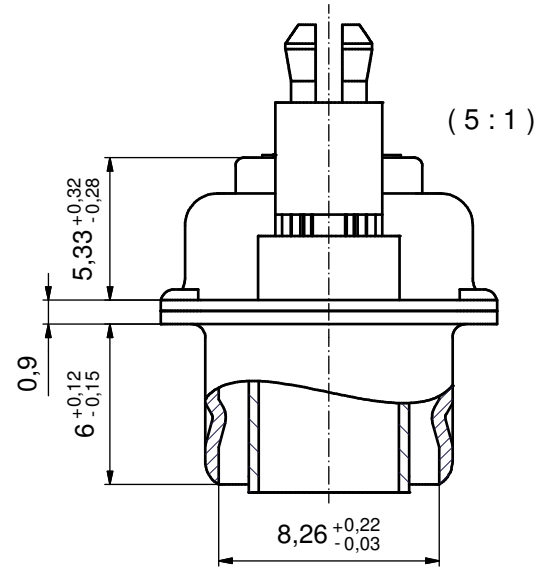
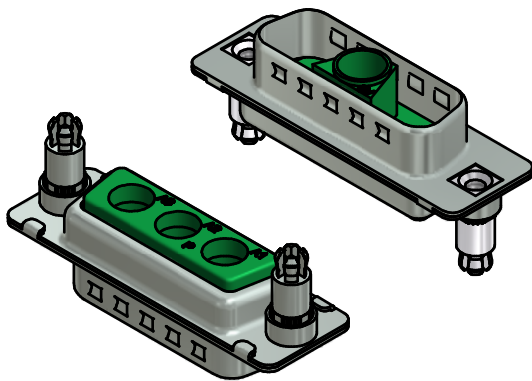
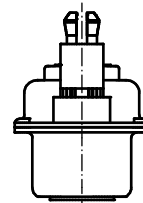


P.C.B. HOLE DRILLINGS
(P.C.B. TOP SIDE)



SEE NOTE 7



NOTES:

- METALSHELLS: STEEL; min. 315µm TIN OVER 40-80µm NICKEL
- INSULATORS: PBT GF UL 94 V-0, GREEN
- NO CONTACTS ON POS. A1 - A3
- THREADED SPACER CLIPS: COPPER ALLOY; min. 200µm TIN OVER 80µm NICKEL
PCB-HOLE: $\varnothing 3.1 \pm 0.1$; PCB THICKNESS 1,6mm
- COLLARS: COPPER ALLOY; min. 200µm TIN OVER 80µm NICKEL
- MAXIMUM TORQUE VALUE FOR THREAD: 6 in.LB
- CONNECTOR IS PART MARKED: 303W3CPXX99E20X CONEC ABC

Directive 2002/95/EC RoHS compliant

THIS DRAWING MAY NOT BE COPIED OR REPRODUCED IN ANY WAY, AND MAY NOT BE PASSED ON TO A THIRD PARTY WITHOUT WRITTEN PERMISSION. OWNERSHIP AND COPYRIGHT OF CONEC GmbH DO NOT ALTER CAD DRAWING BY HAND	tolerance			dim. in mm	scale: 2:1 (5:1)
	material: SEE NOTES				
	date	name		title:	
	drawn 02.05.2011	Henneboel		D-SUB COMBINATION MALE	
	appd. 02.05.2011	Koch		3W3CP	
	norm			with threaded spacer clip	
	d-old			dwg no: Inventor	
a Original			13K1A3668		
rev. description	date	name	part no: 303W3CPXX99E20X		
			DIN-A3		
			sh: 1		

