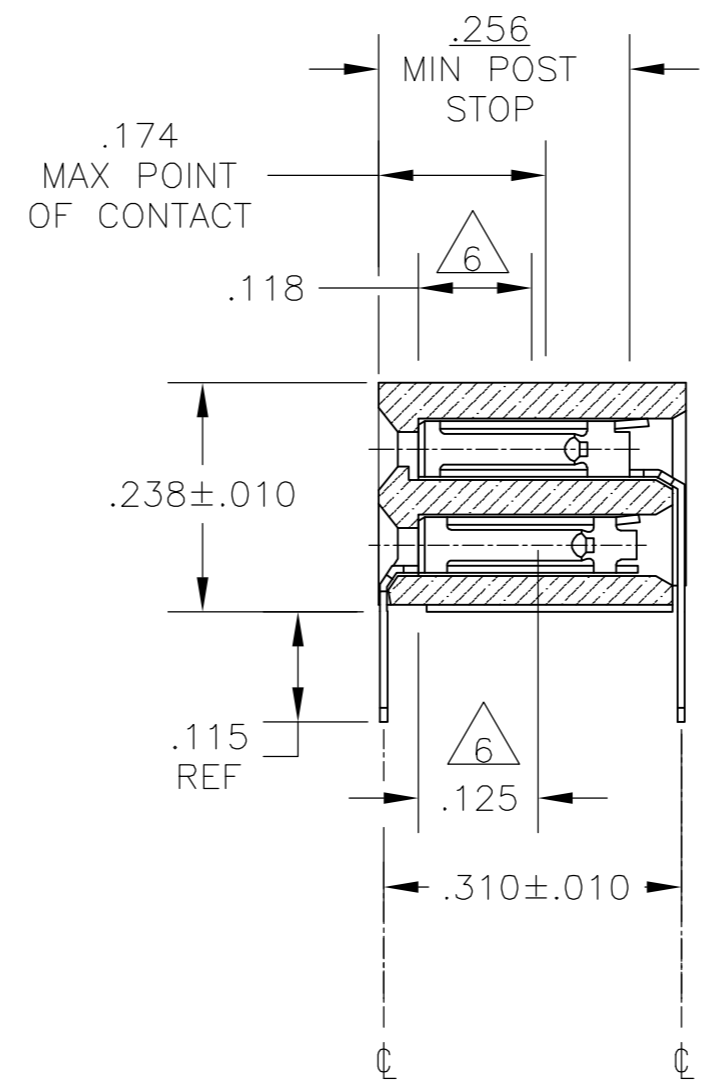
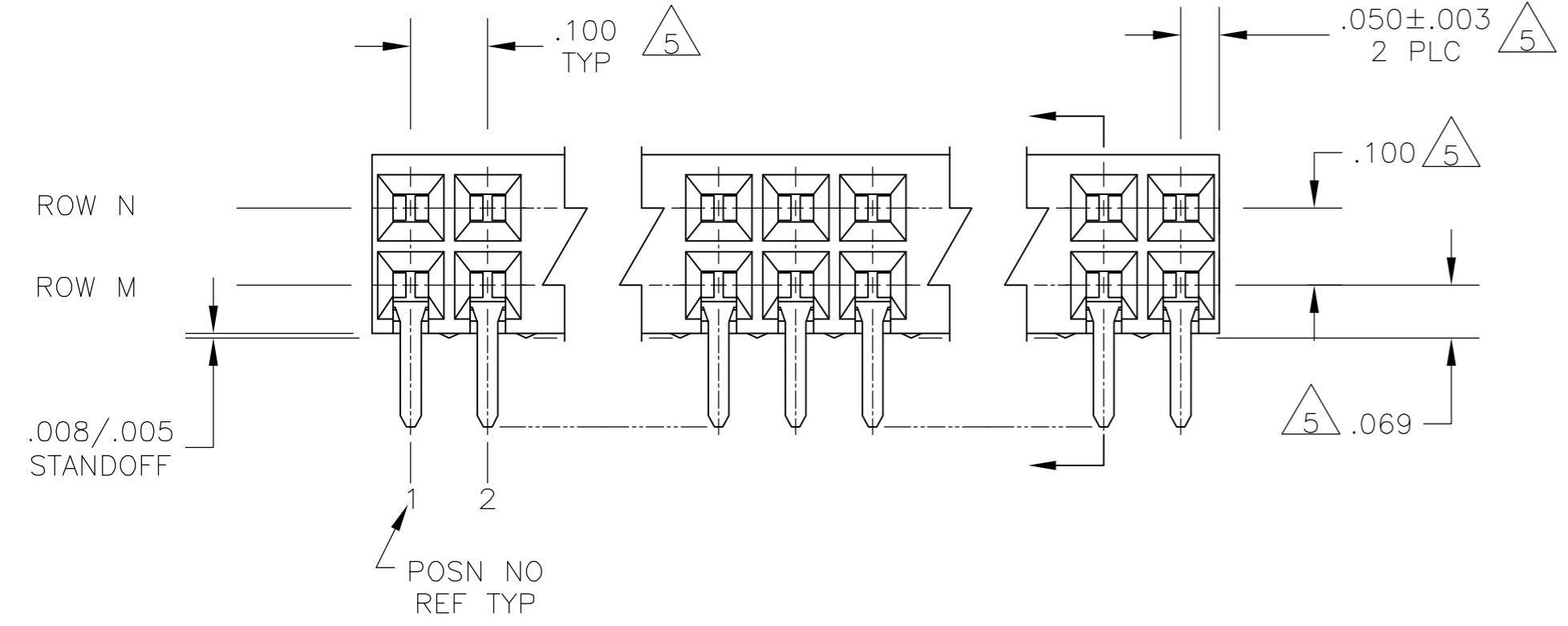
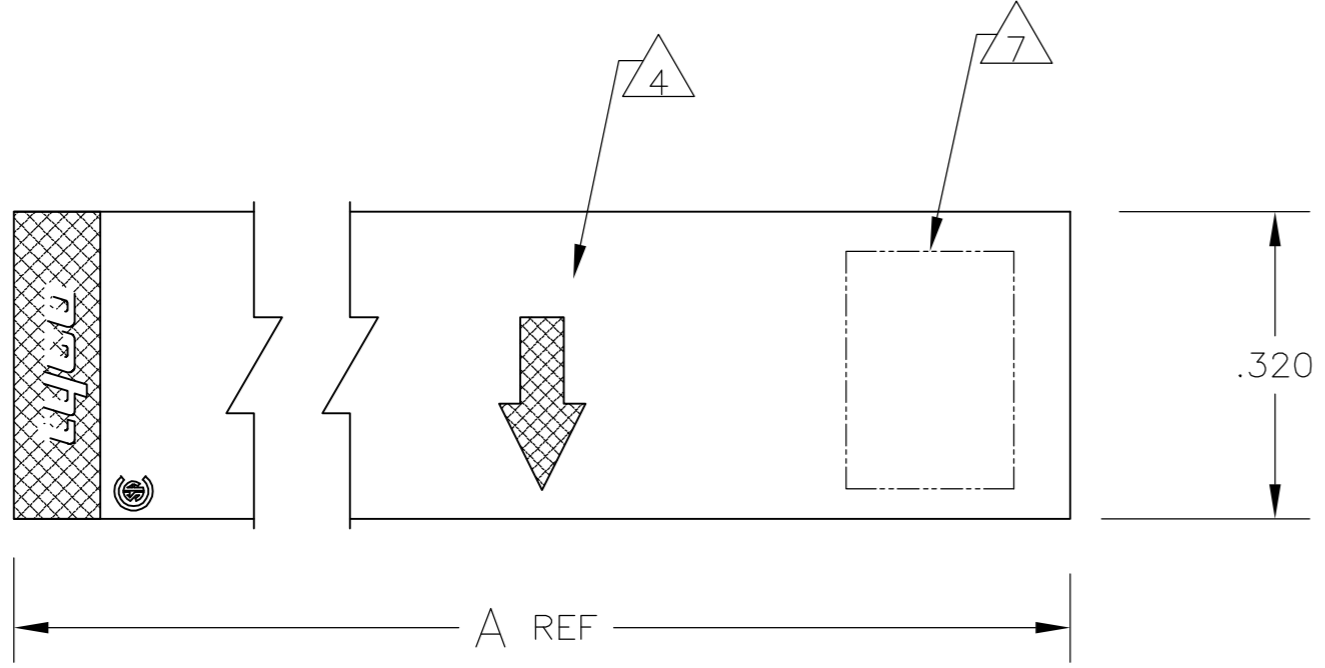
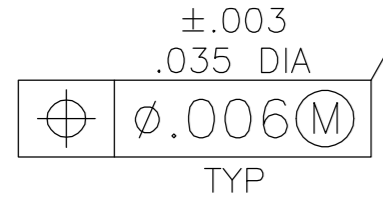
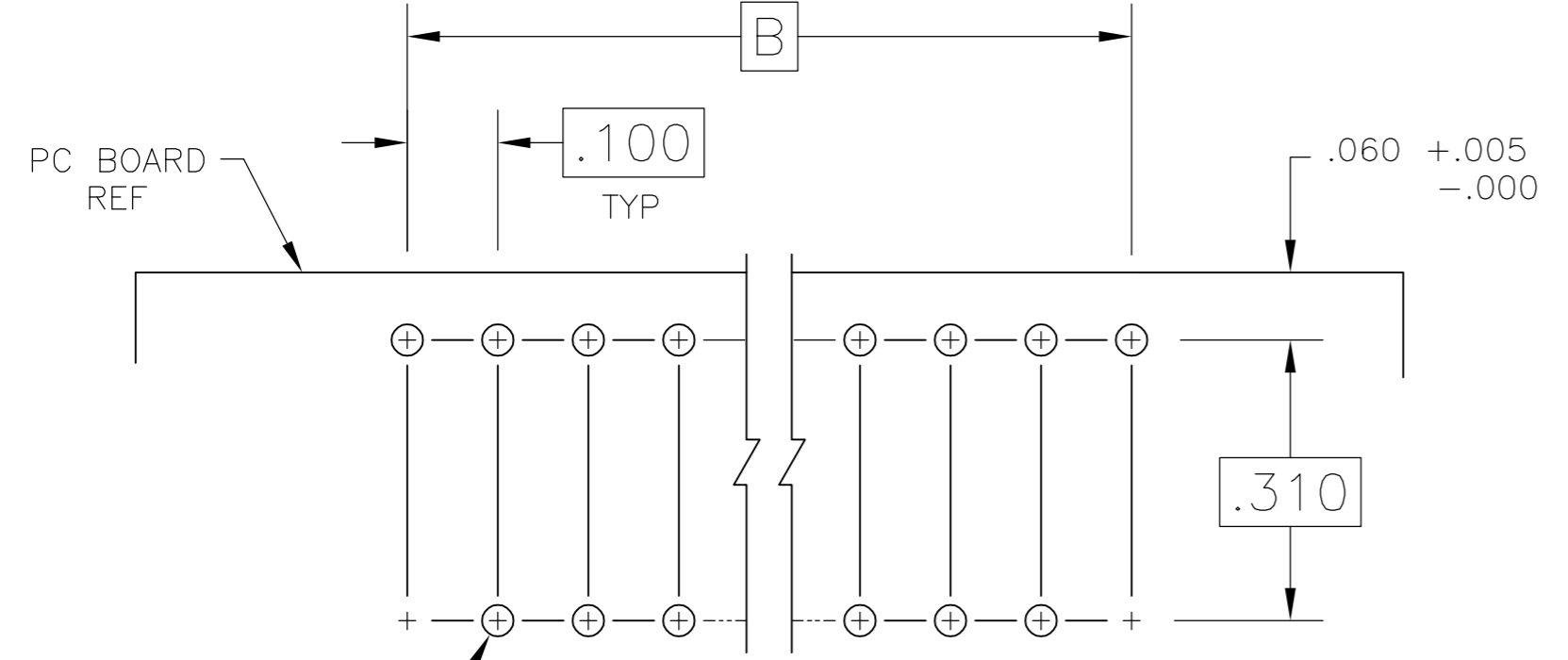


THIS DRAWING IS UNPUBLISHED. RELEASED FOR PUBLICATION  
 © COPYRIGHT BY TYCO ELECTRONICS CORPORATION. ALL RIGHTS RESERVED.

LOC		DIST		REVISIONS			
P	LTR	DESCRIPTION		DATE	DWN	APVD	
A		ECO-06-29655		28DEC06	MB	JO	



- 1 HOUSING MATERIAL : GLASS FILLED, FLAME RETARDANT POLYESTER, COLOR-BLACK.
- 2 CONTACT MATERIAL : PHOSPHOR BRONZE.
- 3 CONTACT FINISH : DUPLEX PLATED .000030 GOLD ON CONTACT AREA, .000150-.000300 BRIGHT TIN-LEAD ON SOLDER LEADS, ALL OVER .000050 MIN NICKEL.
- 4 MOLDED IN ARROW DESIGNATES THE MATING FACE OF THE CONNECTOR.
- 5 DIMENSIONS PERTAIN TO CAVITY CENTERLINES.
- 6 POINT OF MEASUREMENT FOR PLATING THICKNESS OF CONTACT AREA.
- 7 PART NUMBER AND DATE CODE ARE MARKED IN APPROXIMATE LOCATION SHOWN.
- 8 CONTACT FINISH : DUPLEX PLATED .000030 GOLD ON CONTACT AREA, .000150-.000300 MATTE TIN ON SOLDER LEADS, ALL OVER .000050 MIN NICKEL.
- 9 ROHS 2002 /95/EC COMPLIANT.



RECOMMENDED PC BOARD LAYOUT

FINISH	8	12, 14	11, 13, 15	1.400	1.500	25/30	5-1825945-1
	3	12, 14	11, 13, 15	1.400	1.500	25/30	1825945-1
POSITIONS OMITTED		ROW M	ROW N	B	A	NO. OF POSITIONS	ASSEMBLY PART NUMBER

THIS DRAWING IS A CONTROLLED DOCUMENT.

DIMENSIONS: INCHES	TOLERANCES UNLESS OTHERWISE SPECIFIED:	DWN M.BINNER 04DEC06	Tyco Electronics Corporation Harrisburg, Pa 17105-3608																																
<table border="1"> <tr><td>0 PLC</td><td>± -</td></tr> <tr><td>1 PLC</td><td>± -</td></tr> <tr><td>2 PLC</td><td>± -</td></tr> <tr><td>3 PLC</td><td>± -</td></tr> <tr><td>4 PLC</td><td>± -</td></tr> <tr><td>ANGLES</td><td>± -</td></tr> <tr><td>FINISH</td><td>± -</td></tr> </table>	0 PLC	± -		1 PLC	± -	2 PLC	± -	3 PLC	± -	4 PLC	± -	ANGLES	± -	FINISH	± -	<table border="1"> <tr><td>CHK H. PALEY</td><td>J.OLSON</td></tr> <tr><td>APVD J.OLSON</td><td>04DEC06</td></tr> <tr><td>PRODUCT SPEC</td><td></td></tr> <tr><td>APPLICATION SPEC</td><td></td></tr> <tr><td>WEIGHT</td><td>-</td></tr> </table>	CHK H. PALEY	J.OLSON	APVD J.OLSON	04DEC06	PRODUCT SPEC		APPLICATION SPEC		WEIGHT	-	<table border="1"> <tr><td>NAME</td><td colspan="2">AMPMODU MOD II RECEPTACLE ASSEMBLY, HORIZONTAL, .100 CL, 2 ROW, CLOSED-ENTRY, SHORT POINT-OF-CONTACT, SELECT LOAD</td></tr> <tr><td>SIZE</td><td>CAGE CODE</td><td>DRAWING NO</td></tr> <tr><td>A2</td><td>00779</td><td>C=1825945</td></tr> </table>	NAME	AMPMODU MOD II RECEPTACLE ASSEMBLY, HORIZONTAL, .100 CL, 2 ROW, CLOSED-ENTRY, SHORT POINT-OF-CONTACT, SELECT LOAD		SIZE	CAGE CODE	DRAWING NO	A2	00779
0 PLC	± -																																		
1 PLC	± -																																		
2 PLC	± -																																		
3 PLC	± -																																		
4 PLC	± -																																		
ANGLES	± -																																		
FINISH	± -																																		
CHK H. PALEY	J.OLSON																																		
APVD J.OLSON	04DEC06																																		
PRODUCT SPEC																																			
APPLICATION SPEC																																			
WEIGHT	-																																		
NAME	AMPMODU MOD II RECEPTACLE ASSEMBLY, HORIZONTAL, .100 CL, 2 ROW, CLOSED-ENTRY, SHORT POINT-OF-CONTACT, SELECT LOAD																																		
SIZE	CAGE CODE	DRAWING NO																																	
A2	00779	C=1825945																																	
MATERIAL 1 2	FINISH 3 8	CUSTOMER DRAWING	RESTRICTED TO -																																

SCALE 5:1 SHEET 1 OF 1 REV A

1825945