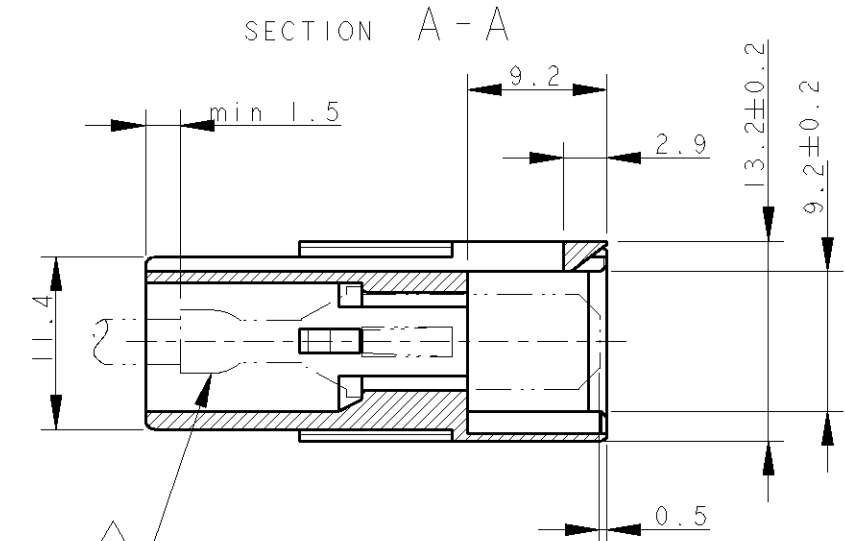
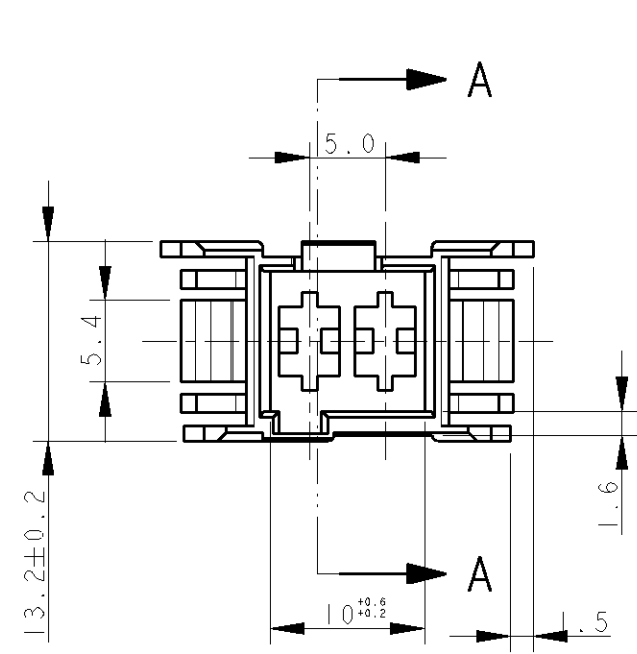


THIS DRAWING IS UNPUBLISHED. RELEASED FOR PUBLICATION 2004
 © COPYRIGHT 2004 BY TYCO ELECTRONICS CORPORATION. ALL RIGHTS RESERVED.

LOC	DIST	REVISIONS				
P	LTR	DESCRIPTION	DATE	DWN	APVD	
1	-	A	FIRST ISSUE, ET00-0142-04	24 JUN 2004	HY	GT
		A1	UPDATED, ET00-0201-04	19 OCT 2004	CT	GT
		A2	UPDATED, ET00-0031-05	01 FEB 2005	HY	GT
		B	RELEASED, ET00-0052-05	21 FEB 2005	HY	GT



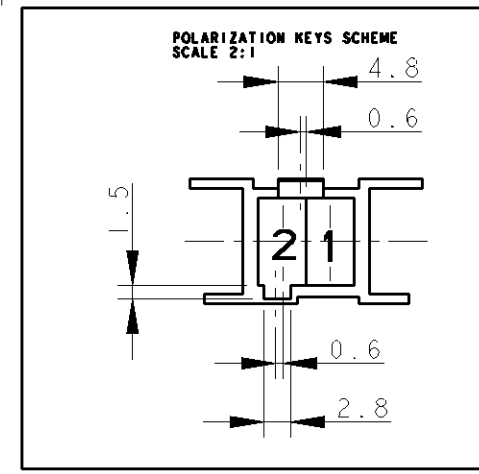
1) TYPICAL CAVITY SUITABLE FOR:
 FASTIN-FASTON TAB CONTACTS 6.3 mm SRS:
 P/N: 60294, 0.3-0.8 mm² WIRE RANGE
 160691, 0.3-0.8 mm² WIRE RANGE
 AMPLIVAR CONTACTS:
 P/N: 141051, 0.1-0.5 mm² WIRE RANGE
 142411, 0.3-1.6 mm² WIRE RANGE
 MAX. INSULATION DIA. 2.8 mm,
 MAX. INSULATION CRIMP WIDTH 3.3 mm.

2) PA6 UNFILLED, UL 94-V2, NATURE COLOUR, VIRGIN MATERIAL (750°C NO FLAME)
 3) PA66 UNFILLED, UL 94-V2, NATURAL COLOUR, VIRGIN MATERIAL

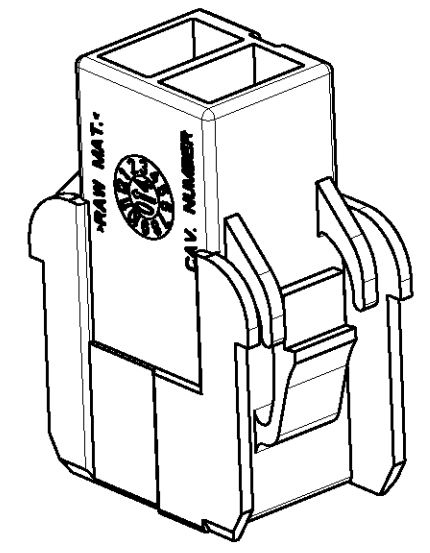
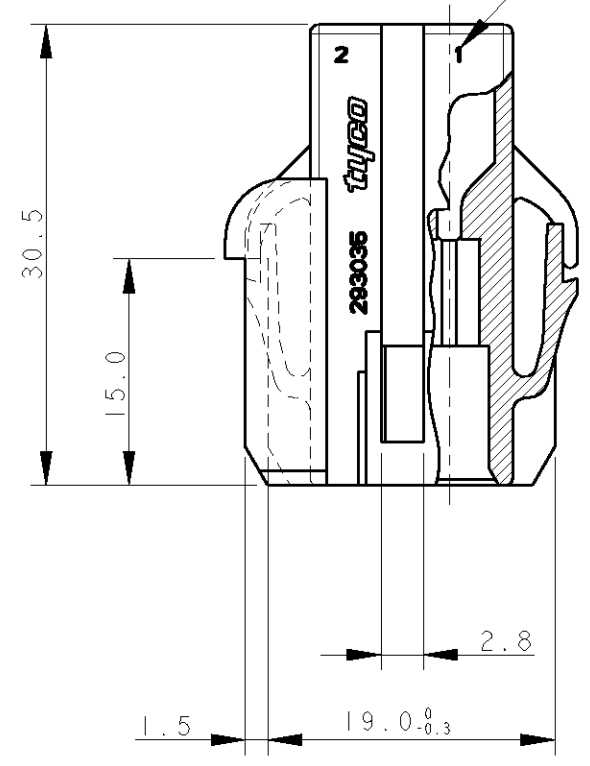
4) TYCO TRADEMARK "LOGO" AND TYCO ELECTRONICS "PART NUMBER" OPTIONAL POSITION.

5) CIRCUIT IDENTIFICATION NUMBERS, 1 TO 2

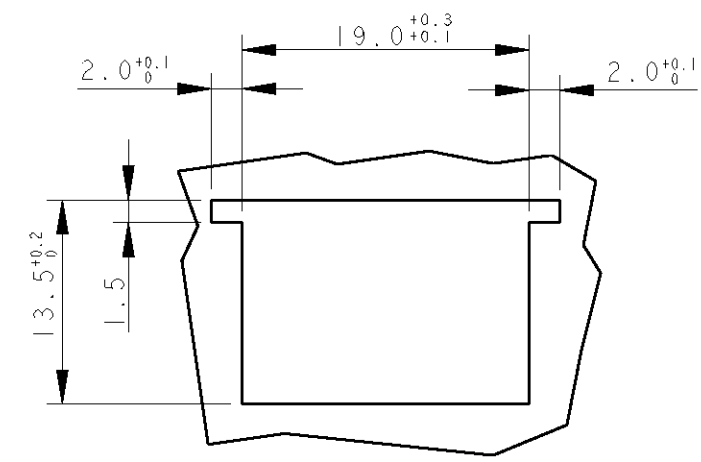
6) POLARIZATION KEYS DIMENSIONS AND POSITIONS ARE ACCORDING TO "RAST 5" NORM SIMILAR TO P/N 1241969-2 and P/N 927742-2 AS POLARIZATION KEYS



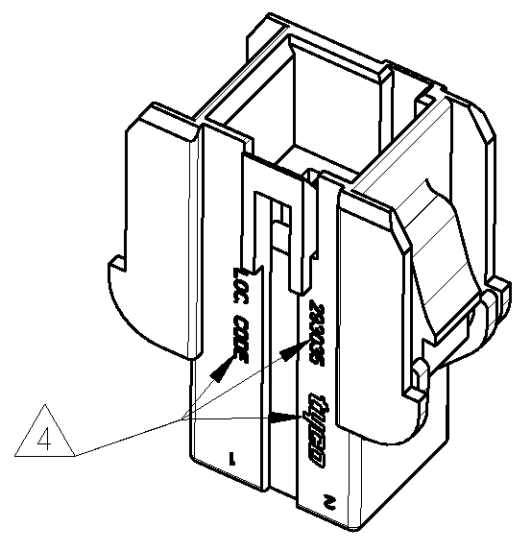
SECTION B-B



PANEL MOUNT DIMENSIONS THICKNESS 0.8-1.0 mm



COLORE (COLOUR)	MATERIALE (MATERIAL)	NUMERO (TYCO P/N)	REV
NATURALE (NATUR)	VEDI NOTA 3 (SEE NOTE 3)	5-293035-2	B
NATURALE (NATUR)	VEDI NOTA 2 (SEE NOTE 2)	0-293035-2	B



THIS DRAWING IS A CONTROLLED DOCUMENT FOR TYCO ELECTRONICS CORPORATION IT IS SUBJECT TO CHANGE AND THE CONTROLLING ENGINEERING ORGANIZATION SHOULD BE CONTACTED FOR THE LATEST REVISION.

DIMENSIONS:	TOLERANCES UNLESS OTHERWISE SPECIFIED:
mm	
0 PLC	±
1 PLC	±0.3
2 PLC	±
3 PLC	±
4 PLC	±
ANGLES	±1°
MATERIAL	SEE TABLE
FINISH	-

DWN	16 JUN 2004
CHK	A. Vecchia
APVD	16 JUN 2004
APVD	A. Vecchia
APVD	G. Turco
PRODUCT SPEC	-
APPLICATION SPEC	-
WEIGHT	-
CUSTOMER DRAWING	

tyco Electronics		tyco Electronics AMP Italia S.p.A. 10093 Collegno TO	
NAME 2 POS. FASTIN-FASTON Conn. TAB HOUSING, "RAST 5"			
SIZE	CAGE CODE	DRAWING NO	RESTRICTED TO
A3	00779	C=293035	-
SCALE 2:1		SHEET 1 OF 1	REV B