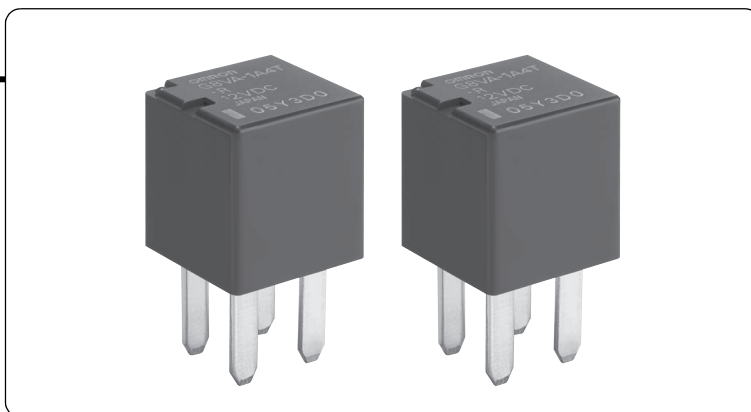


G8VA

Automotive low profile micro 280 terminal layout relay

This world's smallest Plug-in relay. Versatile usage for several different kinds of applications inside the relay boxes.

- Miniaturized package (reduced footprint and height)
- L x W x H = 15.5 x 15.0 x 16.4 mm nominal
- 280-terminal type
- Full automated assembly



■ Type standard

G8VA-□□□□-□
① ② ③ ④ ⑤

| | Classification | Symbol | Meaning of the symbol |
|---|-------------------------|--------|-------------------------|
| ① | Number of contact poles | 1 | Number of contact poles |
| ② | Contact structure | A | 1a contact |
| ③ | Protective structure | 4 | Simple plastic seal |
| ④ | Terminal form | T | Plug-in type |
| ⑤ | Surge suppressor | R | Built-in resistor |

■ Classification

| Classification | Terminal form | Contact structure | Protective structure | Rated coil voltage | | Type |
|----------------|----------------------|-------------------|----------------------|--------------------|----------------|-------------|
| | | | | Voltage (V) | Resistance (Ω) | |
| Micro 280 | Plug-in 280 terminal | SPST (1a) | Simple plastic seal | DC12 | 132 | G8VA-1A4T-R |

■ Ratings

● Operation coil

| Rated voltage (V) | Coil resistance (Ω) | | | Rated current (mA) | Operating voltage (V) | Release voltage (V) | Service voltage range (V) | Rated power consumption (mA) |
|-------------------|---------------------|---------------|-----------------------------|--------------------|-----------------------|---------------------|---------------------------|------------------------------|
| | Between terminals | Internal coil | Surge suppressor resistance | | | | | |
| DC12 | 132 | 150 | 1/4W 1.1k | 90.9 | 7.5 or less | 1.0 or more | DC10 to 16 | 1091 |

● Switching area

| Item | Performance |
|--------------------------------|----------------------|
| Contact material | Silver alloy |
| Rated voltage | DC12V |
| Rated load | Resistance load, 15A |
| Inrush current | 80A |
| Continuous carry current*1 | 15A |
| Min. Carry / Switching Current | DC12V 1A |

Please confirm Omron Safety Precautions for all automotive relays first.
Omron can not guarantee automotive relays before finish making a contract with product specifications.

Performance

| Item | Value of Standard | |
|------------------------------------|----------------------------|---|
| Voltage drop between terminals | 200mV or less, 15A | |
| Operating time ² | 10ms or less | |
| Release time ² | 10ms or less | |
| Insulation resistance ³ | Between coil and terminal | 10MΩ or more |
| | Between homopolar contacts | 10MΩ or more |
| Withstand voltage ⁴ | Between coil and terminal | AC500V for 1minute |
| | Between homopolar contacts | AC500V for 1minute |
| Vibration tolerance | Durability | 33Hz 44.1m/s ² |
| | Malfunction | 33Hz 44.1m/s ² |
| Shock resistance | Durability | 1000m/s ² (Operating time:6ms) |
| | Malfunction | 100m/s ² (Operating time:11ms) |
| Mechanical endurance | 1,000,000 times | |
| Electrical endurance | 100,000 times | |
| Ambient temperature | -30 to +100°C | |
| Ambient humidity | 35 to 85%RH | |
| Weight | 10g | |

Packing

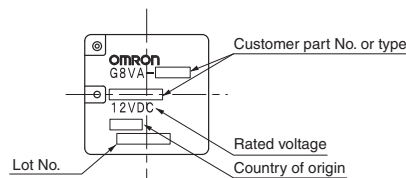
| Packing form | Tray |
|------------------|-------------------------|
| MOQ ⁵ | 500pcs (50pcs×10 trays) |

Note: All values above are measured in early time under an ambient temperature of +20°C and humidity of 65% unless stated.

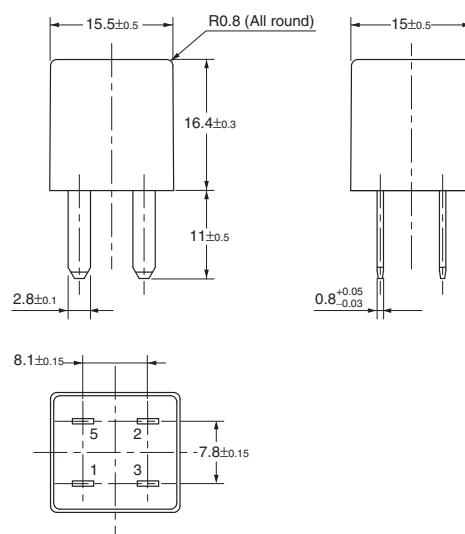
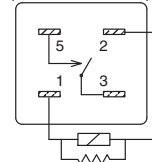
- *1. The value stated is at maximum temperature in a guaranteed ambient temperature.
- *2. It changes depend on how a rated voltage is operated, but bounce-time is not included.
- *3. Measured at DC500V.
- *4. Measured under 1mA of leak current, 50/60Hz for 1minute.
- *5. Minimum Order Quantity is subject to change, please feel free to contact our sales representatives.

Dimensions (Unit: mm)

G8VA-1A4T-R



Terminal arrangement / Internal connections (BOTTOM VIEW)



* Tolerance unless otherwise specified
 Less than 1 mm: ±0.1 mm
 Less than 1 to 3 mm: ±0.2 mm
 3 mm or more: ±0.3 mm

Please confirm Omron Safety Precautions for all automotive relays first.
 Omron can not guarantee automotive relays before finish making a contract with product specifications.