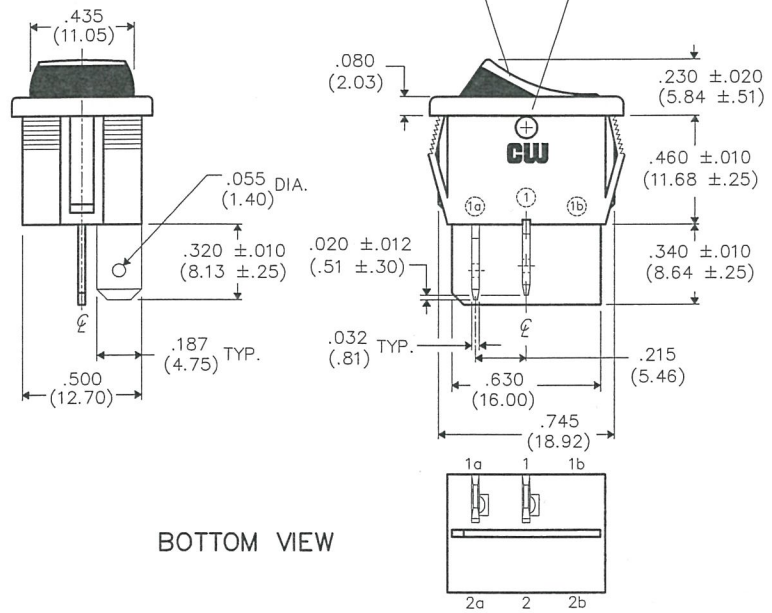
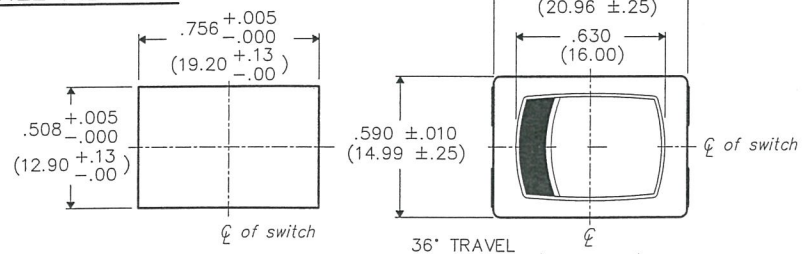


THIS INFORMATION IS CONFIDENTIAL AND PROPRIETARY TO CW INDUSTRIES INCORPORATED AND ITS AFFILIATES. IT MAY NOT BE DISCLOSED TO ANYONE OTHER THAN CW INDUSTRIES PERSONNEL, WITHOUT WRITTEN AUTHORIZATION FROM CW INDUSTRIES INCORPORATED, SOUTHAMPTON, PENNSYLVANIA USA.

DIMENSIONS IN INCHES (MILLIMETERS)
DO NOT SCALE DRAWING

Dwg. No.
GRS-4011-0138

PANEL PIERCING



UL, CSA & VDE LISTED:

16A 125 - 250VAC 3/4H.P. 125 - 250VAC
 3A 125V L 10A 14V(T)
 10(4) 250 ~ 4 T85'

MATERIALS:

BUTTON - NYLON 6/6 94V-2 COLOR, BLACK/RED
 HOUSING - NYLON 6/6 94V-2 COLOR, BLACK
 TERMINAL & MOVING CONTACT - COPPER ALLOY

BOTTOM VIEW

1 2 3 4 5 6 7 8 9 10

B-FORMAT 2002	REVISIONS	0	RELEASED: DGW 2-25-2013 FEB 26 2013	CW INDUSTRIES Southampton, Pa. 18966	TOLERANCES UNLESS OTHERWISE SPECIFIED 2 Place Decimal $\pm .010$ METRIC 3 Place Decimal $\pm .005$ 1 Place Dec. $\pm .25$ mm Angles $\pm 1'$ 2 Place Dec. $\pm .13$ mm	Made for: CW IND.	Division: SWITCH	Title: 2 COLOR ROCKER SWIDGET ASSEMBLY SP/ST (POP-IN)	
		Drawn by: DGW 2-25-2013							Dwg. No. GRS-4011-0138
		Checked by: <i>G. Guld 2-26-13</i>							
		Approval: <i>E. H... 2/26/13</i>							

MASTER