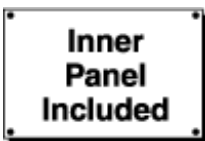


## Type 12 Mild Steel Modular Freestanding Disconnect Enclosure

*UHD M Series*

Hinge Door with Handle (Flange w/ multi-vendor cutout)

### Application



- Designed to bolt together in any number of units for maximum flexibility and ease of transportation. The UHDM system consists of a Master enclosure to house the flange mounted disconnect switch and interlocking Slave enclosures which may be added or removed as required. Master enclosure units will accept the following disconnect switches and circuit breakers:
  - **ABB Controls** flange mounted variable depth operating mechanism for disconnect switches and circuit breakers.
  - **Allen Bradley** 1494F flange mounted disconnect switches and 1494D flange mounted operators for circuit breakers. Allen Bradley 1494V variable depth flange operated disconnect switches and circuit breaker mechanisms.
  - **C-H Westinghouse** Type C361 disconnect switches and operator mechanism. Cutler Hammer Type C371 circuit breaker operating mechanisms. Flex Shaft™ handle operators for circuit breakers.
  - **General Electric** Type STDA flange handles and variable depth operating mechanisms for disconnect switches and circuit breakers. Also Spectra-Flex™ cable operators for circuit breakers.
  - **I-T-E Max-Flex™** flange mounted variable depth operating handles for disconnect switches and circuit breakers.
  - **Square D** disconnect switches and circuit breakers used with Class 9422 flange mounted variable depth operating mechanisms or cable mechanisms. These enclosures will not receive Class 9422 bracket mounted disconnect devices or Class 9422TG1 or TG2 devices.

### Standards

- UL 508 Type 12
- CSA Type 12
- Complies with
  - NEMA Type 12
  - JIC EGP-1-1967 and EMP-1-1967
  - IEC 60529, IP54
- Appropriate components are required to maintain these standards.

### Construction

- Formed from 10 gauge steel with smooth continuously welded seams.
- Body stiffeners are provided in the larger enclosures for extra rigidity.
- Heavy duty lifting eyes are anchored into reinforced top corners.
- Removable doors are secured with heavy duty lift off hinges.
- Flange trough collar (FTC) around door excludes liquids and contaminants.
- Formed 10 gauge steel inner panels are provided on collar studs.

- Panel supports are provided.
- Center post is removable, providing easy panel installation.
- Heavy duty three point latching door mechanism.
- Side openings are reinforced to provide structural strength, smooth edges and preset gasket compression.
- Oil resistant gaskets on doors and side openings are permanently secured. No gasket kit is provided.
- Master door handle complete with screw defeater and padlock hasp.
- Slave door handle complete with padlock hasp.
- A mechanical interlock activated by the master door prevents the auxiliary door from being opened first.
- The universal flange cutout provides mounting for disconnect operators by use of the appropriate operator adaptor kit.
- A bonding stud is provided in the door and a grounding stud is provided in the enclosure for each door.
- A literature pocket is provided.
- **Formed End Plates and Flat End Plates**
  - Formed from 12 gauge steel.
  - Used to enclose the open end(s) of one or more modular enclosures.
  - Two types are available. No separate gasket kit is required.
- **Flat Barrier Plate**
  - Formed from 14 gauge steel.
  - May be used to provide a barrier between modular enclosures. They are supplied complete with gasket.
- **Panel Bridge Kit**
  - Formed from 10 gauge steel.
  - May be used to join back panels together between modular enclosures to provide a continuous panel surface.

## Note

- Disconnect switches, circuit breakers and operators are not provided with the enclosure, and must be ordered separately from the manufacturer.

## Finish

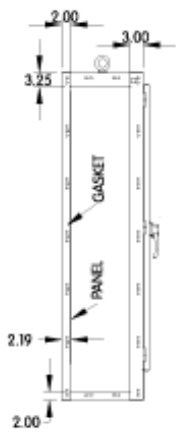
- Door and enclosure are phosphatized and finished in ANSI 61 gray recoatable powder coating on the outside.
- Interior - white powder coating.
- Inner panel is finished in white powder coating.

## Accessories

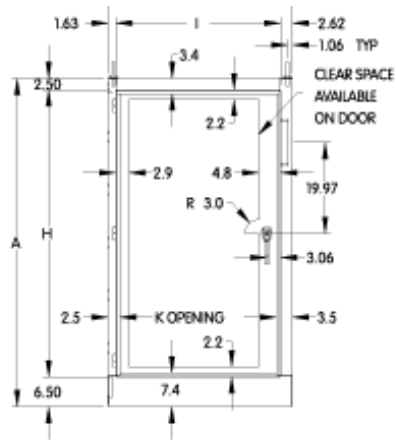
- |   |                        |
|---|------------------------|
| • Cooling Products                        | • Blowers and Fans     |
| • Ventilation                             | • Door Stop Kit        |
| • Enclosure Stabilizers                   | • Filtered Fans        |
| • Flange Disconnect Operator Adaptor Kits | • Floor Stand Kit      |
| • Heaters                                 | • Lighting             |
| • Type 1 Louvered Ventilating Plates      | • Temperature Controls |
| • Ground Wire Kits                        |                        |

## Single Door Master Enclosure (Left side open)





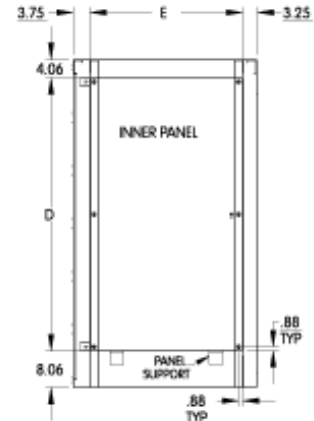
Open End



Front View

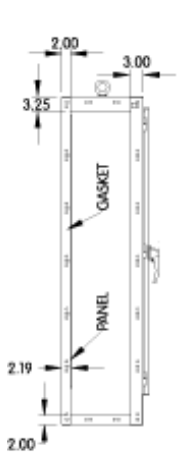


Closed End

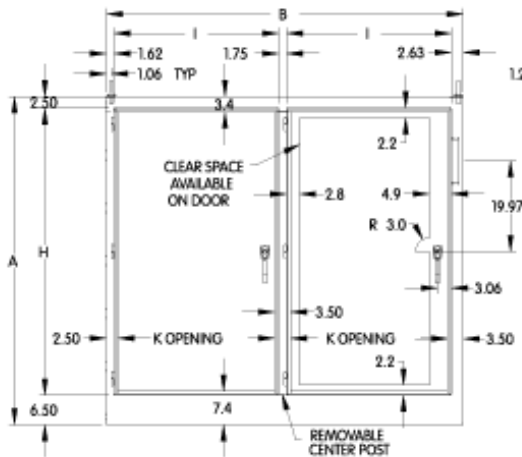


Rear View (Cross Section)

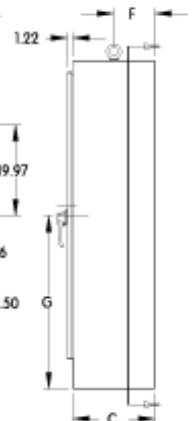
### Two Door Master Enclosure (Left side open)



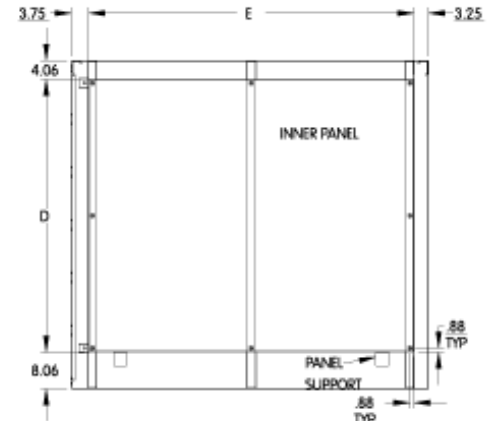
Open End



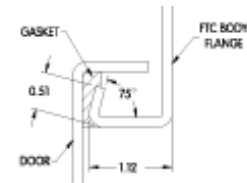
Front View



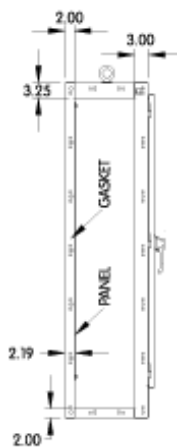
Closed End



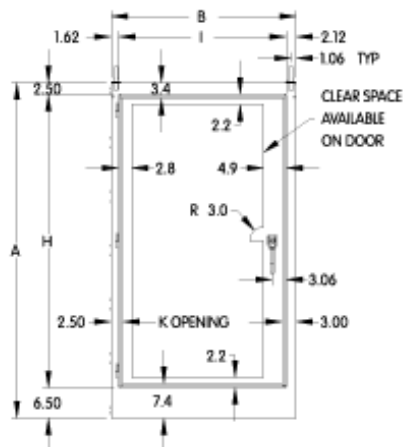
Rear View (Cross Section)



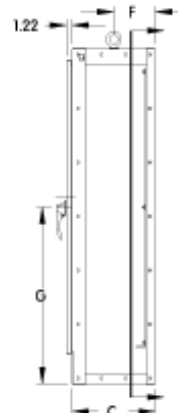
### Single Door Slave Enclosure (Both sides open)



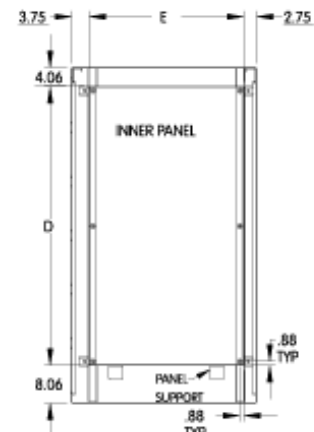
Open End



Front View

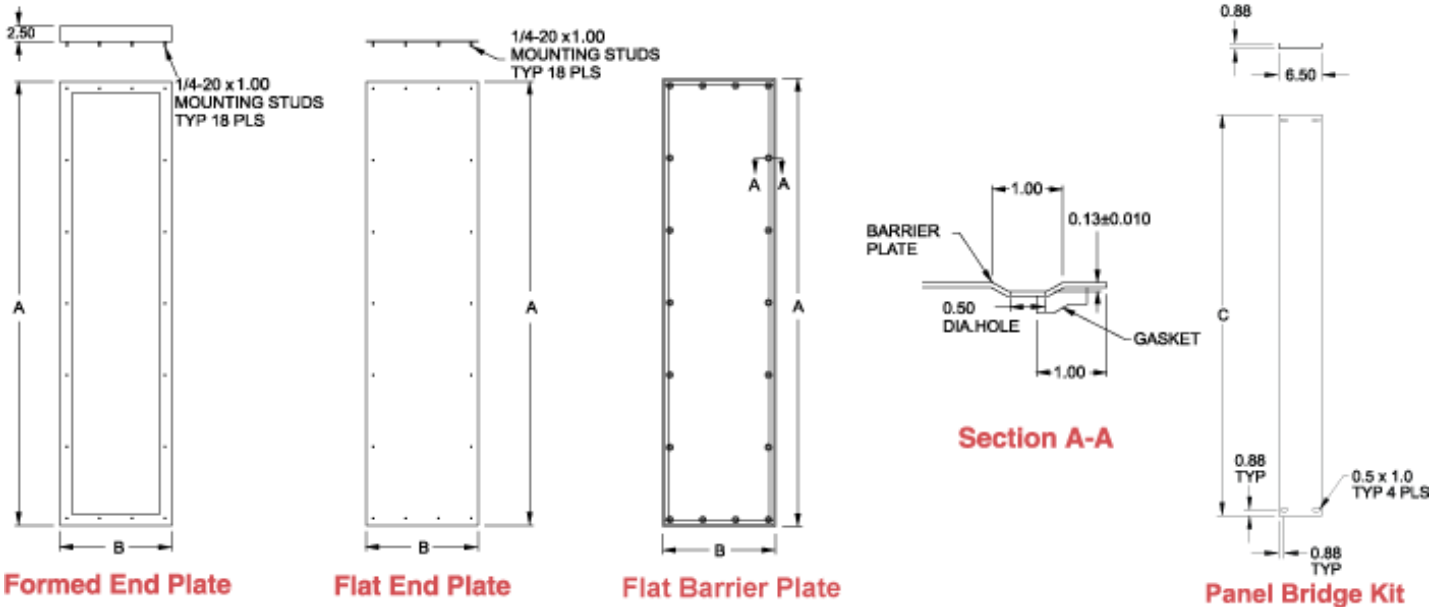
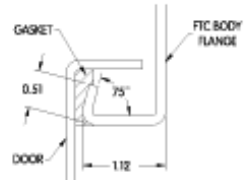
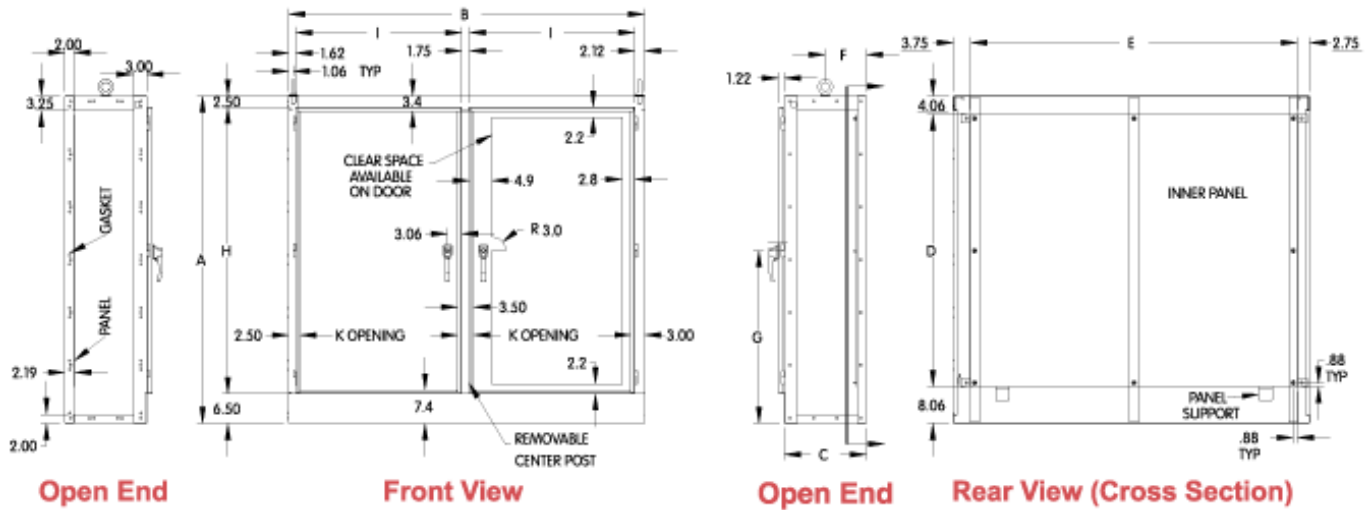


Open End



Rear View (Cross Section)

## Two Door Slave Enclosure (Both sides open)



## Master Enclosures

Part No.	Overall Dimensions										Ship Wt. (lbs)	Description
	A	B	C	D	E	F	G	H	I	K		
UHDM724118MFTC	72.13	40.75	18.13	60.00	33.75	9.06	38.06	63.13	36.50	34.75	506	Single Door Disconnect
UHDM844118MFTC	84.13	40.75	18.13	72.00	33.75	9.06	44.06	75.13	36.50	34.75	573	Left side open
UHDM844124MFTC	84.13	40.75	24.13	72.00	33.75	12.06	44.06	75.13	36.50	34.75	658	
UHDM727918MFTC	72.13	79.00	18.13	60.00	72.00	9.06	38.06	63.13	36.50	34.75	918	Two Door Disconnect
UHDM847918MFTC	84.13	79.00	18.13	72.00	72.00	9.06	44.06	75.13	36.50	34.75	1050	Left side open
UHDM847924MFTC	84.13	79.00	24.13	72.00	72.00	12.06	44.06	75.13	36.50	34.75	1150	

## Slave Enclosures

Part No.	Overall Dimensions										Ship Wt. (lbs)	Description
	A	B	C	D	E	F	G	H	I	K		
UHDM724118SFTC	72.13	40.25	18.13	60.00	33.75	9.06	38.06	63.13	36.50	34.75	473	Single Door Slave
UHDM844118SFTC	84.13	40.25	18.13	72.00	33.75	9.06	44.06	75.13	36.50	34.75	550	Both sides open
UHDM844124SFTC	84.13	40.25	24.13	72.00	33.75	12.06	44.06	75.13	36.50	34.75	570	
UHDM727818SFTC	72.13	78.50	18.13	60.00	72.00	9.06	38.06	63.13	36.50	34.75	888	Two Door Slave
UHDM847818SFTC	84.13	78.50	18.13	72.00	72.00	9.06	44.06	75.13	36.50	34.75	1010	Both sides open
UHDM847824SFTC	84.13	78.50	24.13	72.00	72.00	12.06	44.06	75.13	36.50	34.75	1060	

## Accessories

Part No.	A	B	C	Description
UHDM7218ECA	71.86	17.87	-	Formed end plate with mounting hardware
UHDM8418ECA	83.87	17.87	-	Formed end plate with mounting hardware
UHDM8424ECA	83.87	23.87	-	Formed end plate with mounting hardware
UHDM7218EPA	71.87	17.87	-	Flat end plate with mounting hardware
UHDM8418EPA	83.87	17.87	-	Flat end plate with mounting hardware
UHDM8424EPA	83.87	23.87	-	Flat end plate with mounting hardware
UHDM7218BPA	71.87	17.87	-	Flat barrier plate with mounting hardware
UHDM8418BPA	83.87	17.87	-	Flat barrier plate with mounting hardware
UHDM8424BPA	83.87	21.87	-	Flat barrier plate with mounting hardware
UHDMFTC72BK	-	-	60.00	Inner panel bridge kit
UHDMFTC84BK	-	-	72.00	Inner panel bridge kit

*Data subject to change without notice*