

PART NUMBER 141-0404-112	ITEM ① BODY STAINLESS STEEL PASSIVATED	ITEM ② NUT STAINLESS STEEL PASSIVATED	ITEM ③ CONTACT BRASS GOLD PL .00005 MIN OVER NICKEL PL .00005 MIN OVER COPPER PL .00005 MIN	ITEM ④ INSULATOR TEFLON	ITEM ⑤ RETENTION SPRING BERYLLIUM COPPER UNPLATED	ITEM ⑥ CRIMP SLEEVE COPPER NICKEL PL .0001 MIN OVER COPPER PL .00005 MIN	ITEM ⑦ END CAP BRASS NICKEL PL .0001 MIN OVER COPPER PL .00005 MIN
-----------------------------	---	--	--	-------------------------------	--	--	--

PART NUMBER 141-0403-112	ITEM ⑧ GASKET SILICONE	ITEM ⑨ HEAT SHRINK POLYOLEFIN COLOR: BLACK
-----------------------------	------------------------------	---

DRAWING NO.
C - 141-0404-111/120

0 REVISIONS

ENGINEERING RELEASE

1	4-26-06	PAT	SBD	TAK	5-22-06	ECN 50399
---	---------	-----	-----	-----	---------	-----------

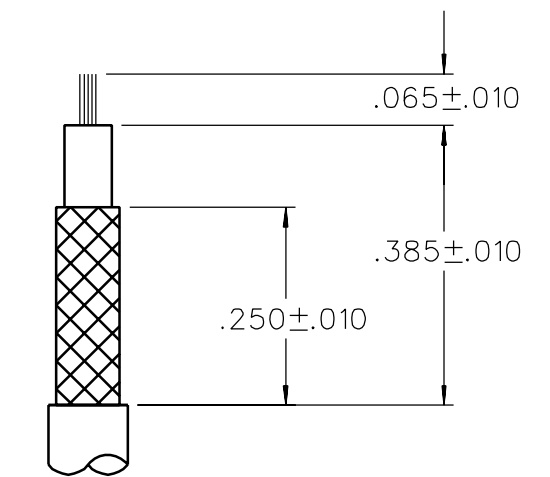
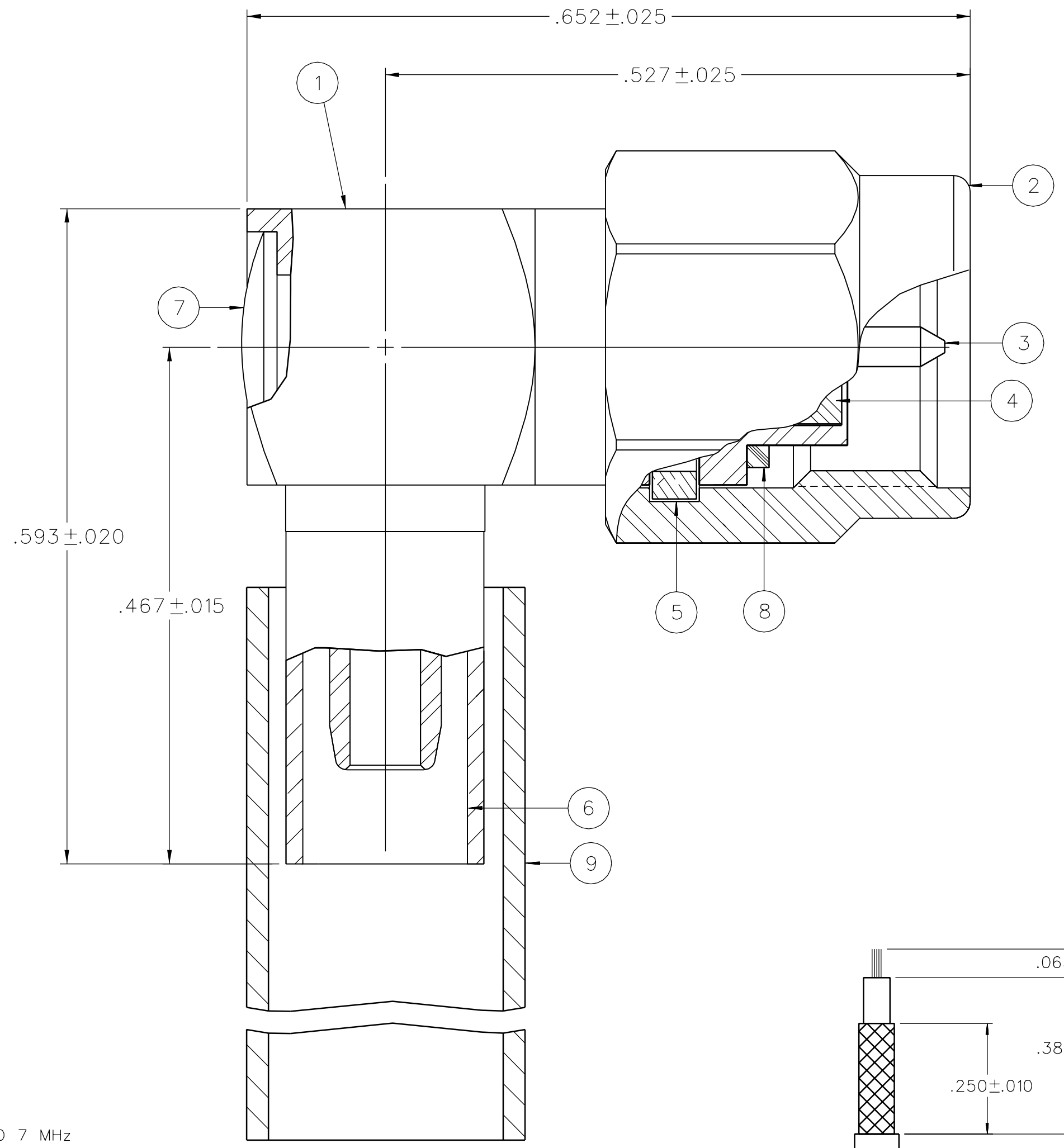
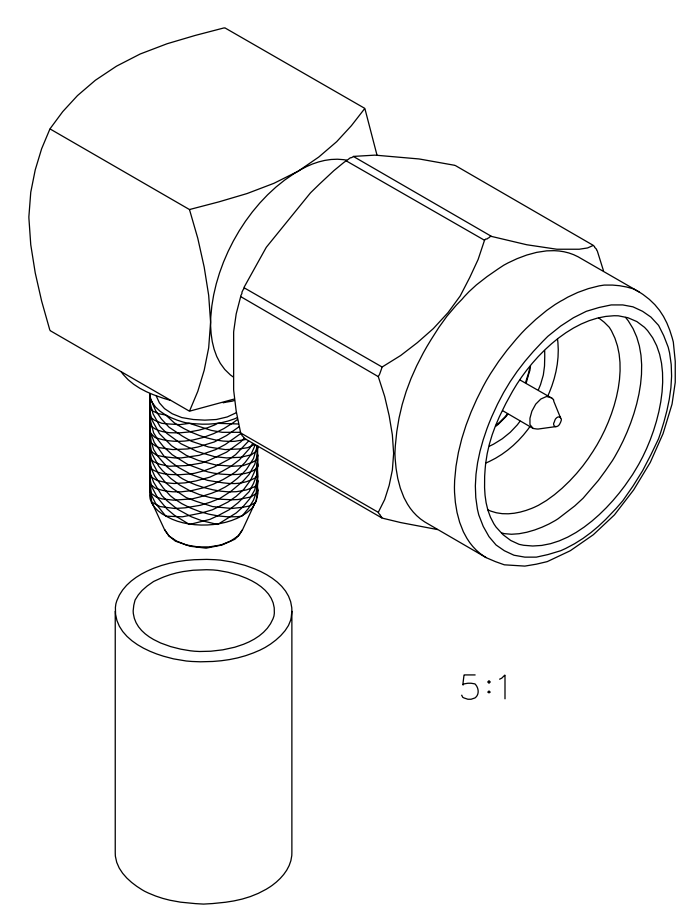
.250 WAS .281, .385 WAS .390,
.065 WAS .070

* REVISION NUMBER FOLLOWED BY AN ALPHA *
* CHARACTER INDICATES DRAWING CLARIFI- *
* CATION OR PART NUMBER ADDITION ONLY. *

1a	9-21-06	PAT	SBD	TAK	12-4-06	ECN 50734
----	---------	-----	-----	-----	---------	-----------

UPDATED VIEWS

2	10-22-08	PAT	RJB	RTU	MJCN	JUN	10-21-08	ECN 51675
---	----------	-----	-----	-----	------	-----	----------	-----------




CABLE STRIP DIMENSIONS
4:1

NOTES:

1. SPECIFICATIONS:
- IMPEDANCE: 50 OHMS
 FREQUENCY RANGE: 0-12.4 GHz
 VSWR: 1.15+.03 F MAX (F IN GHz)
 WORKING VOLTAGE: 250 VRMS MAX AT SEA LEVEL
 DIELECTRIC WITHSTANDING VOLTAGE: 750 VRMS MIN AT SEA LEVEL
 INSULATION RESISTANCE: 5000 MEGOHM MIN
 CONTACT RESISTANCE:
 CENTER CONTACT - INITIAL 4.0 MILLIOHM MAX, AFTER ENVIRONMENTAL 6.0 MILLIOHM MAX
 OUTER CONDUCTOR - INITIAL 2.0 MILLIOHM MAX AFTER ENVIRONMENTAL NOT APPLICABLE
 BODY TO CABLE - 0.5 MILLIOHM MAX (GOLD PLATED) 5.0 MILLIOHM MAX (PASSIVATED)
 CORONA LEVEL: 190 VOLTS MIN AT 70,000 FEET
 INSERTION LOSS: .15√F (F IN GHz) AT 6 GHz
 RF LEAKAGE: -60 DB MIN AT 2.5 GHz
 RF HIGH POTENTIAL WITHSTANDING VOLTAGE: 500 VRMS MIN AT 4 AND 7 MHz
- MECHANICAL:
- ENGAGE/DISENGAGE TORQUE: 2 INCH-POUNDS MAX
 MATING TORQUE: 7-10 INCH POUNDS
 COUPLING PROOF TORQUE: 15 INCH-POUNDS MIN
 COUPLING NUT RETENTION: 60 LBS MIN
 CONTACT RETENTION: 6 LBS MIN
 CABLE ACCEPTABILITY: RG316 DOUBLE SHIELDED, RG 188 DOUBLE SHIELDED
 CABLE HEX CRIMP SIZE: .151
 CABLE RETENTION: 20 LBS MIN AXIAL FORCE
 DURABILITY: 500 CYCLES MIN
- ENVIRONMENTAL:
- (MEETS OR EXCEEDS THE APPLICABLE PARAGRAPH OF MIL-PRF-39012)
 THERMAL SHOCK: MIL-STD-202, METHOD 107, CONDITION B EXCEPT 85° C HIGH TEMP
 OPERATING TEMPERATURE: -65 DEG C TO 165 DEG C
 CORROSION: MIL-STD-202, METHOD 101, CONDITION B
 SHOCK: MIL-STD-202, METHOD 213, CONDITION I
 VIBRATION: MIL-STD-202, METHOD 204, CONDITION D
 MOISTURE RESISTANCE: MIL-STD-202, METHOD 106

CUSTOMER DRAWING
 THIS DRAWING TO BE INTERPRETED PER ASME Y 14.5M - 1994
 "μSTATION"
 COMPANY CONFIDENTIAL

TOLERANCE UNLESS OTHERWISE SPECIFIED	DRAWN BY PAT	DATE 5-22-06	 Cinch <small>CONNECTIVITY SOLUTIONS</small> <small>a bel group</small>	Cinch Connectivity Solutions P.O. Box 1732 Waseca, MN 56093 1-800-247-8256
DECIMALS	CHECKED BY	DATE		TITLE PLUG ASSEMBLY, RA CABLED, RG 316 DS SMA, 50 OHM
.XX				
.XXX				
MATL	APPROVED BY SBD/TAK	DATE 5-19-06		
FINISH	RELEASE DATE	5-22-06	SHEET 2 OF 2	DRAWING NO. C - 141-0404-111/120
	U/M INCH	SCALE 10:1		