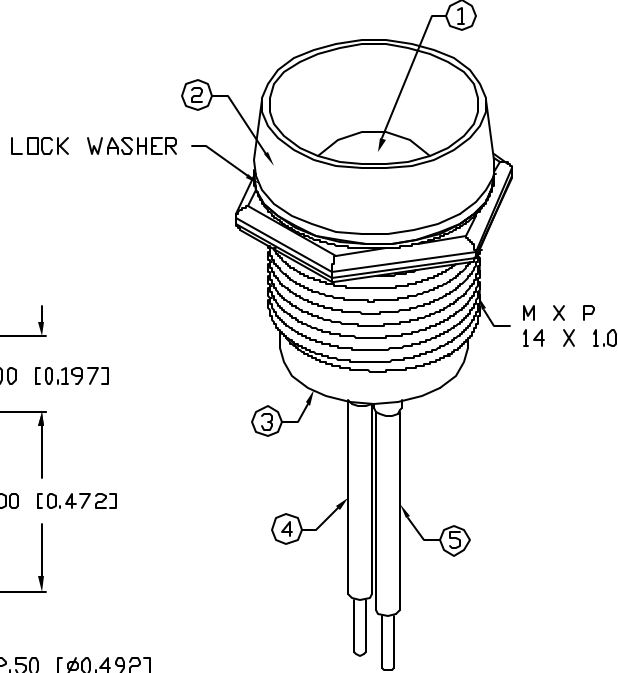
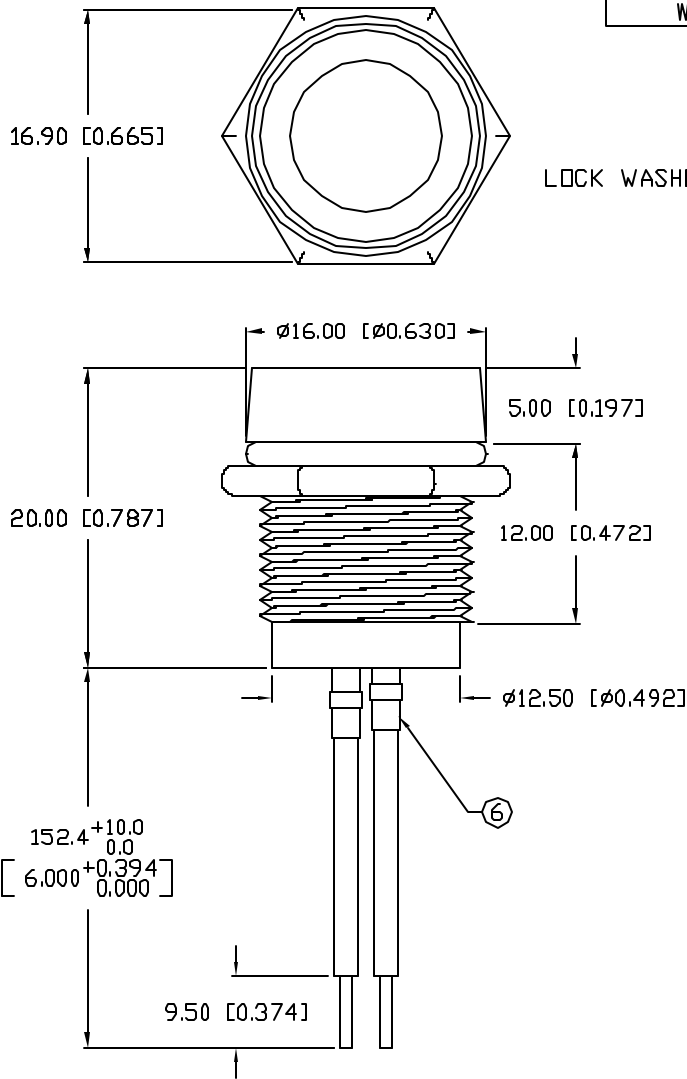


UNCONTROLLED DOCUMENT

PART NUMBER  
SSI-LXR4915SID150W

REV.

CAUTION: STATIC SENSITIVE DEVICE  
FOLLOW PROPER E.S.D. HANDLING PROCEDURES  
WHEN WORKING WITH THIS PART.



ELECTRO-OPTICAL CHARACTERISTICS  $T_A=25^\circ\text{C}$   $I_f=20\text{mA}$

PARAMETER	MIN	TYP	MAX	UNITS	TEST COND
PEAK WAVELENGTH		636		nm	
FORWARD VOLTAGE		2.0	2.5	$V_f$	
REVERSE VOLTAGE	5.0			$V_r$	$I_f=100\mu\text{A}$
AXIAL INTENSITY		550		mcd	$I_f=20\text{mA}$
VIEWING ANGLE		60		2x theta	
EMITTED COLOR:	RED				
EPOXY LENS FINISH:	RED DIFFUSED				

LIMITS OF SAFE OPERATION AT  $25^\circ\text{C}$

PARAMETER	MAX	UNITS
PEAK FORWARD CURRENT*	150	mA
STEADY CURRENT	30	mA
POWER DISSIPATION	105	mW
DERATE FROM $25^\circ\text{C}$	-1.2	mW/ $^\circ\text{C}$
OPERATING, STORAGE TEMP.	-40 TO +85	$^\circ\text{C}$

\*  $t < 10\mu\text{s}$

- NOTES:
1. SSI-LX100133SID, RED LED UN-CUT LEADS.
  2. SSI-LXR4915, CHROME HOUSING.
  3. NEOPRENE RUBBER BUSHING.
  4. ANODE LEAD: LXP-WST24RDTGC, 24 AWG STRANDED, RED INSULATION, CUT 142mm LONG, STRIP 3mm & 9.5mm.
  5. CATHODE LEAD: LXP-WST24BLTOC, 24 AWG STRANDED, BLACK INSULATION, CUT 142mm, STRIP 3mm & 9.5mm.
  6. LXP-HEATSHRINK-2; 1/16" X 37mm (2 PCS.)
  7. LED IS SECURED INSIDE HOLDER WITH UV GLUE.
  8. BACK FILL WITH SILICON ADHESIVE, THEN INSERT BUSHING.

UNCONTROLLED DOCUMENT

\*UNLESS OTHERWISE SPECIFIED TOLERANCES PER DECIMAL PRECISION ARE: X=±1 (±0.039), XX=±0.5 (±0.020), XXX=±0.25 (±0.010), XXXX=±0.127 (±0.005). LEAD SIZE=±0.05 (±0.002), LEAD LENGTH=±0.75 (±0.030). MIN= <sup>+0.00</sup> / -0.00 DECIMAL PRECISION MAX= <sup>+0.00</sup> / -0.00 DECIMAL PRECISION

REV. PART NUMBER  
SSI-LXR4915SID150W

CONFIDENTIAL INFORMATION  
THE INFORMATION CONTAINED IN THIS DOCUMENT IS THE PROPERTY OF LUMEX INC. EXCEPT AS SPECIFICALLY AUTHORIZED IN WRITING BY LUMEX INC, THE HOLDER OF THIS DOCUMENT SHALL KEEP ALL INFORMATION CONTAINED HEREIN CONFIDENTIAL AND SHALL PROTECT SAME IN WHOLE OR IN PART FROM DISCLOSURE AND DISSEMINATION TO ALL THIRD PARTIES.



290 E. HELEN ROAD  
PALATINE, IL 60067-6976  
PHONE: +1.847.359.2790  
US WEB: www.lumex.com  
TW WEB: www.lumex.com.tw

10mm, 636nm AlInGaP RED LED PANEL INDICATOR,  
RED DIFFUSED LENS, 6" WIRE LEADS, SPLASH PROOF.

RELIABILITY NOTE  
OUR MANY YEARS OF EXPERIENCE DATA ACCUMULATION INDICATE THAT SOLDER HEAT IS A MAJOR CAUSE OF EARLY AND FUTURE FAILURE. PLEASE PAY ATTENTION TO YOUR SOLDERING PROCESS.

DRAWN BY: JUN  
CHECKED BY:  
APPROVED BY:  
DATE: 08.01.07  
PAGE: 1 OF 1  
SCALE: N/A