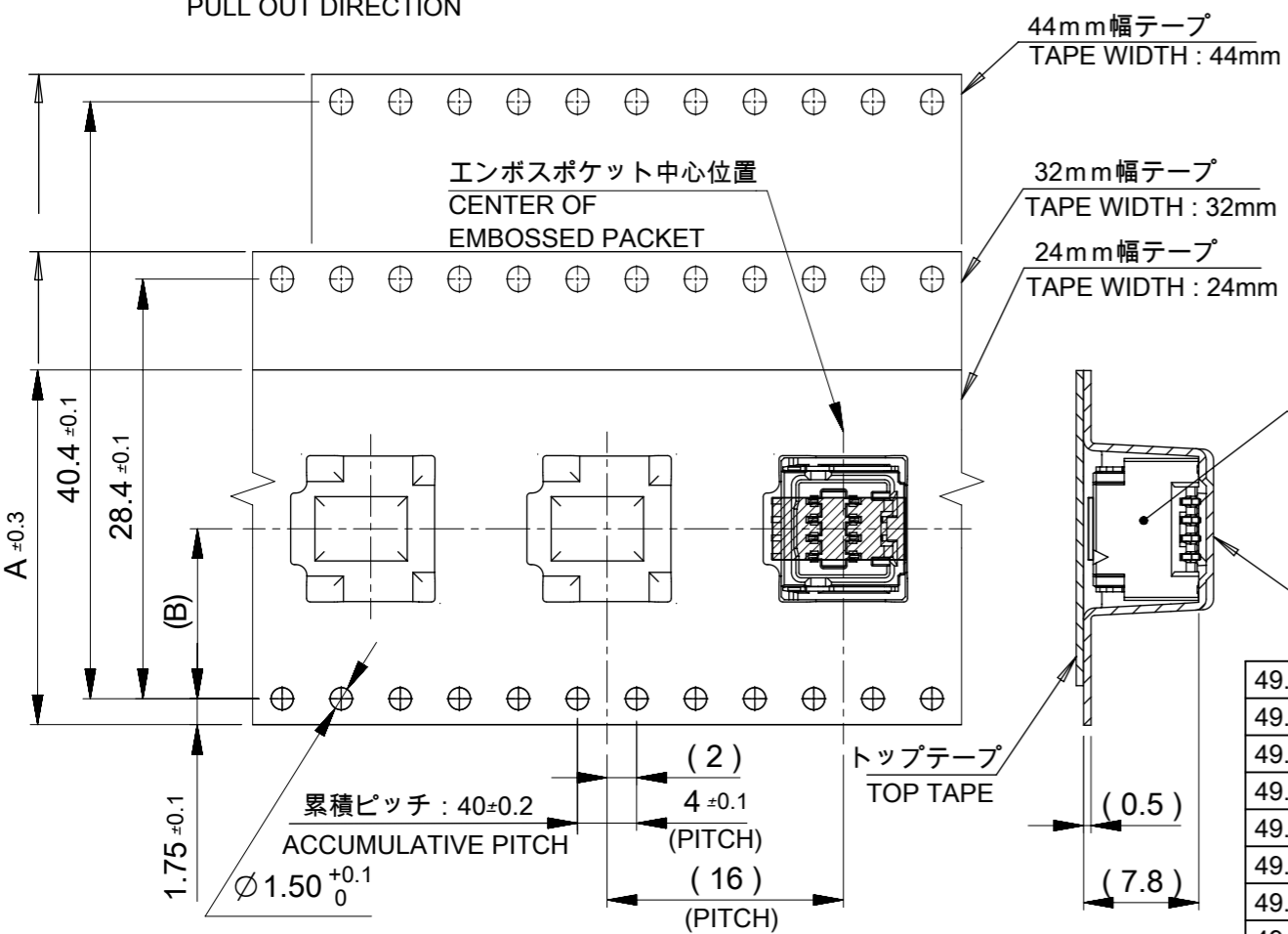


引き出し方向  
PULL OUT DIRECTION

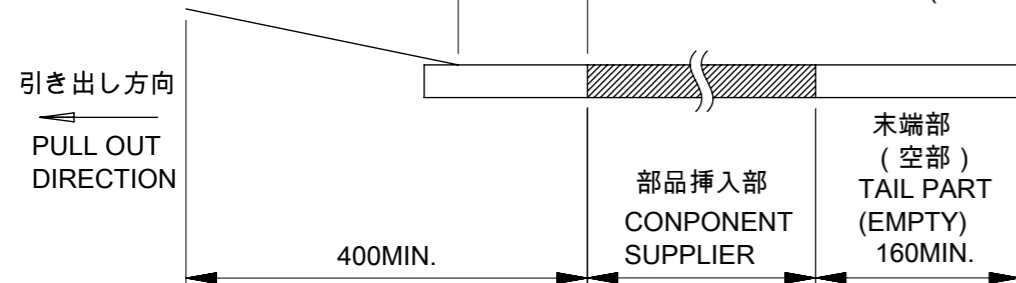


NOTES

1. 製品番号505433\*\*8\*の詳細寸法は5054331000PSD000を参照ください。  
FOR DETAIL OF 505433\*\*8\* DIMENSIONS,  
PLEASE SEE THE 5054331000PSD000 (NOT PACKAGED).

2. 梱包数量 : 500個  
NUMBER OF CONNECTORS : 500 PIECES/REEL.

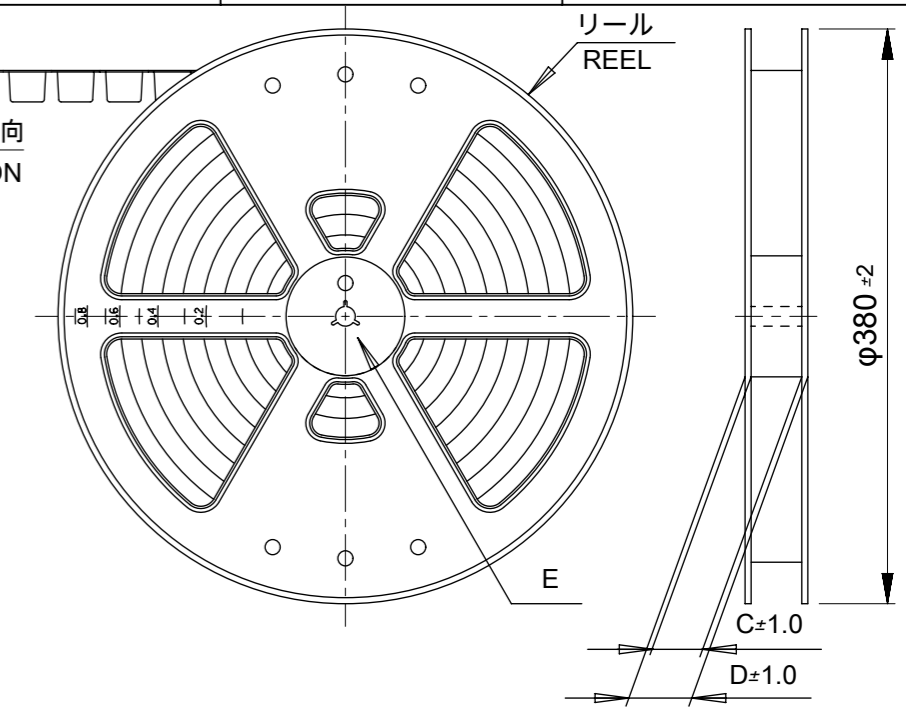
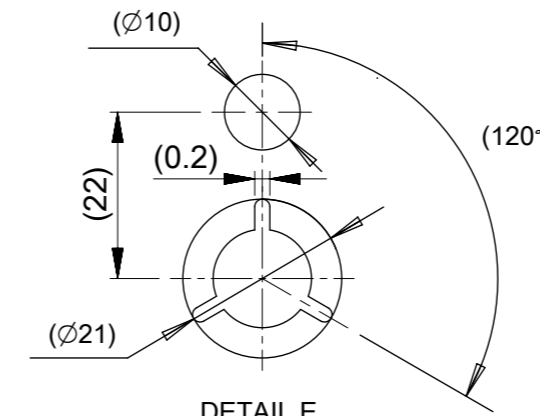
3. リードテープ長さ  
LEAD TAPE LENGTH  
トップテープ接着部 (空部)  
TOP TAPE BONDED PART (EMPTY)  
100 MIN.



4. トップテープの剥離強度については、IEC60286-3に準拠  
TOP TAPE PEEL FORCE IS DEFINED BY IEC 60286-3.

5. 材料 MATERIAL  
キャリアテープ : ポリスチレン (PS)  
CARRIER TAPE : POLYSTYRENE (PS)  
トップテープ : ポリエステル (PET)、その他  
TOP TAPE : POLYESTER (PET)、OTHER  
リール : ポリスチレン (PS) <リサイクル材を含む>  
REEL : POLYSTYRENE (PS) <RECYCLE MATERIAL CONTAINED>

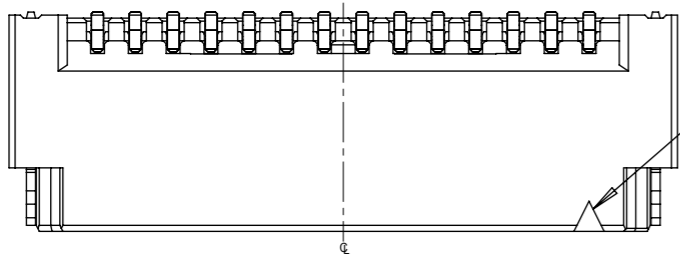
引き出し方向  
PULL OUT DIRECTION



				HSG COLOR GREEN	HSG COLOR BLUE	HSG COLOR RED	HSG COLOR BLACK	HSG COLOR NATURAL	
49.4	45.4	20.2	44	5054334286	5054334284	5054334282	5054334281	5054334280	42
49.4	45.4	20.2	44	5054334086	5054334084	5054334082	5054334081	5054334080	40
49.4	45.4	20.2	44	5054333886	5054333884	5054333882	5054333881	5054333880	38
49.4	45.4	20.2	44	5054333686	5054333684	5054333682	5054333681	5054333680	36
49.4	45.4	20.2	44	5054333486	5054333484	5054333482	5054333481	5054333480	34
49.4	45.4	20.2	44	5054333286	5054333284	5054333282	5054333281	5054333280	32
49.4	45.4	20.2	44	5054333086	5054333084	5054333082	5054333081	5054333080	30
49.4	45.4	20.2	44	5054332886	5054332884	5054332882	5054332881	5054332880	28
49.4	45.4	20.2	44	5054332686	5054332684	5054332682	5054332681	5054332680	26
37.4	33.4	14.2	32	5054332486	5054332484	5054332482	5054332481	5054332480	24
37.4	33.4	14.2	32	5054332286	5054332284	5054332282	5054332281	5054332280	22
37.4	33.4	14.2	32	5054332086	5054332084	5054332082	5054332081	5054332080	20
37.4	33.4	14.2	32	5054331886	5054331884	5054331882	5054331881	5054331880	18
37.4	33.4	14.2	32	5054331686	5054331684	5054331682	5054331681	5054331680	16
29.4	25.4	11.5	24	5054331486	5054331484	5054331482	5054331481	5054331480	14
29.4	25.4	11.5	24	5054331286	5054331284	5054331282	5054331281	5054331280	12
29.4	25.4	11.5	24	5054331086	5054331084	5054331082	5054331081	5054331080	10
29.4	25.4	11.5	24	5054330886	5054330884	5054330882	5054330881	5054330880	8
D	C	B	エンボステープ幅 WIDTH OF TAPE A	エンボス梱包 EMBOSSED TAPE PACKAGE オーダー番号 ORDER NO.	エンボス梱包 EMBOSSED TAPE PACKAGE オーダー番号 ORDER NO.	エンボス梱包 EMBOSSED TAPE PACKAGE オーダー番号 ORDER NO.	エンボス梱包 EMBOSSED TAPE PACKAGE オーダー番号 ORDER NO.	エンボス梱包 EMBOSSED TAPE PACKAGE オーダー番号 ORDER NO.	極数 CKT NO.

THIS DRAWING CONTAINS INFORMATION THAT IS PROPRIETARY TO MOLEX ELECTRONIC TECHNOLOGIES, LLC AND SHOULD NOT BE USED WITHOUT WRITTEN PERMISSION

REVISED EC NO: 112331 DRWN: TAKAIKE CHK'D: KOMURAKAMI APPR: TKANEKO	2017/01/23	2017/03/30	2017/04/03	GENERAL TOLERANCES (UNLESS SPECIFIED)	DIMENSION UNITS	SCALE	<p>MICRO-LOCK PLUS 1.25 W/B DUAL ROW ST SMT EMBOSSED TAPE PKG WITH COVER TAPE</p> <p>PRODUCT CUSTOMER DRAWING</p>			
				ANGULAR TOL ± 3.0 °	MM	NTS				
				4 PLACES ± 0.2	TAKAIKE	2016/12/26				
				3 PLACES ± 0.2	KOMURAKAMI	2016/12/28				
			2 PLACES ± 0.2	TKANEKO	2016/12/28		SERIES	MATERIAL NUMBER	CUSTOMER	
			1 PLACE ± 0.2				505433	SEE TABLE	GENERAL	
			0 PLACES ± 0.2	DRAFT WHERE APPLICABLE MUST REMAIN WITHIN DIMENSIONS	DRAWING SIZE	THIRD ANGLE PROJECTION	DOCUMENT NUMBER	DOC TYPE	DOC PART	SHEET NUMBER
					A3		5054330000	PSD	000	1 OF 1



回路番号 1 マーク  
CKT. 1 MARK

NOTES

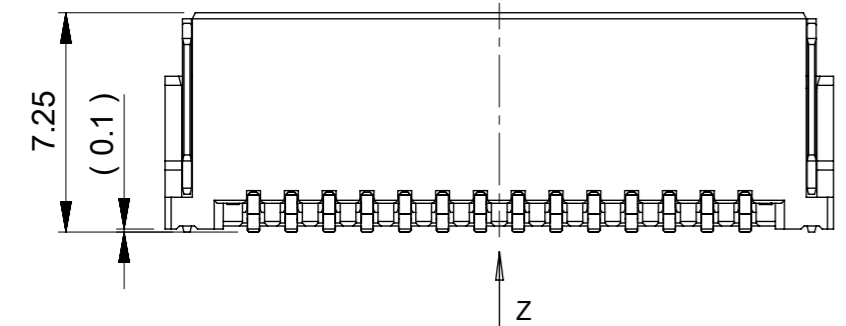
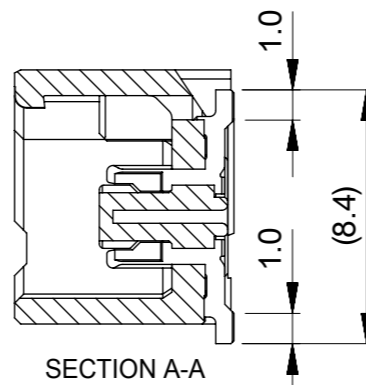
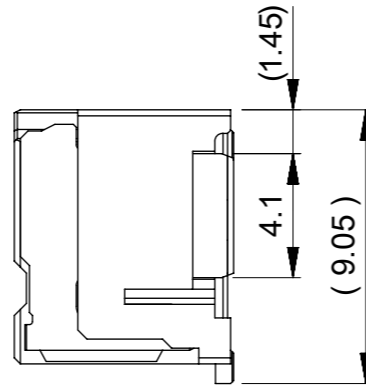
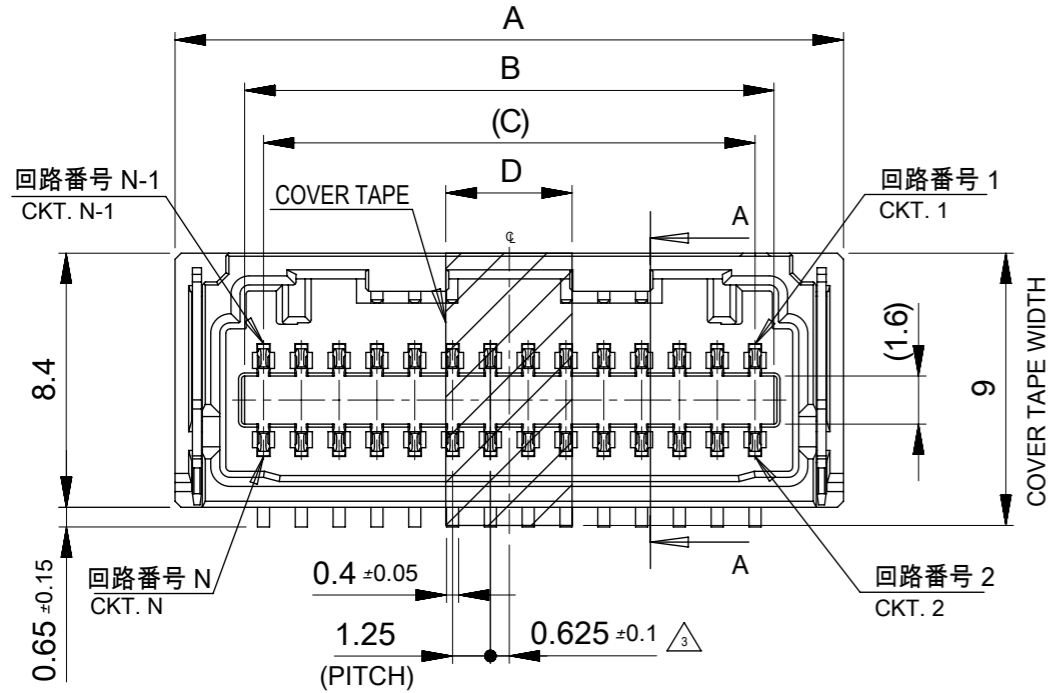
1. 嵌合相手 : 505432\*\*0\*  
MATE WITH : 505432\*\*0\*
2. 端子テール部 及び ネイルの平坦度 : 0.12MAX.  
TAIL AND NAIL COPLANARITY TO BE 0.12 MAX.
3. 極数 / 2 = 偶数に適用。  
APPLY FOR CKT. SIZE / 2 = EVEN.
4. 端子テール部に錫めっきを使用しているため、  
外観に摺動痕が付く場合があります。  
THE WOUND OF FRICTION MIGHT ADHERE TO EXTERNALS  
BECAUSE THE TIN PLATING IS USED FOR THA TAIL.
5. 本製品のプラスチック部に黒点等が確認される場合や  
色合いが異なる場合がありますが、製品性能に影響はありません。  
THERE IS NO INFLUENCE IN THE PRODUCT PERFORMANCE THOUGH  
THE BLACK SPOT ETC. MIGHT BE CONFIRMED TO THE PLASTIC PART  
OF THIS PRODUCT AND THE SHADE MIGHT BE DIFFERENT.

6. コネクタの詳細な取り扱いにつきましては、  
アプリケーション仕様書(AS-505432-001, -002) を参照して下さい。  
PLEASE REFER TO THE APPLICATION SPECIFICATION  
(AS-505432-001, -002)  
ABOUT THE DETAILED HANDLING OF THE CONNECTOR.
7. コネクタの仕様につきましては、  
製品仕様書(5054320000PS002)を参照して下さい。  
PLEASE REFER TO THE PRODUCT SPECIFICATION (5054320000PS002)  
ABOUT THE SPECIFICATION OF THE CONNECTOR.
8. 製品番号 MATERIAL No.

NO.	COLOR
0	NATURAL
1	BLACK
2	RED
4	BLUE
6	GREEN

505433\*\*8\*  
極数 ↑      ↑ 色  
CIRCUIT SIZE      COLOR

※本製品はカバーテープ有り品です。  
カバーテープ無し品は5054330002PSD000を参照して下さい。  
THIS PRODUCT HAVE THE COVER TAPE.  
PLEASE REFER TO 5054330002PSD000 FOR THE PRODUCT  
WITHOUT COVER TAPE.



				HSG COLOR GREEN	HSG COLOR BLUE	HSG COLOR RED	HSG COLOR BLACK	HSG COLOR NATURAL		
5.0	25	26.25	30.85	5054334286	5054334284	5054334282	5054334281	5054334280	42	
	23.75	25	29.6	5054334086	5054334084	5054334082	5054334081	5054334080	40	
	22.5	23.75	28.35	5054333886	5054333884	5054333882	5054333881	5054333880	38	
	21.25	22.5	27.1	5054333686	5054333684	5054333682	5054333681	5054333680	36	
	20	21.25	25.85	5054333486	5054333484	5054333482	5054333481	5054333480	34	
	18.75	20	24.6	5054333286	5054333284	5054333282	5054333281	5054333280	32	
	17.5	18.75	23.35	5054333086	5054333084	5054333082	5054333081	5054333080	30	
	16.25	17.5	22.1	5054332886	5054332884	5054332882	5054332881	5054332880	28	
	15	16.25	20.85	5054332686	5054332684	5054332682	5054332681	5054332680	26	
	4.2	13.75	15	19.6	5054332486	5054332484	5054332482	5054332481	5054332480	24
		12.5	13.75	18.35	5054332286	5054332284	5054332282	5054332281	5054332280	22
		11.25	12.5	17.1	5054332086	5054332084	5054332082	5054332081	5054332080	20
		10	11.25	15.85	5054331886	5054331884	5054331882	5054331881	5054331880	18
		8.75	10	14.6	5054331686	5054331684	5054331682	5054331681	5054331680	16
7.5		8.75	13.35	5054331486	5054331484	5054331482	5054331481	5054331480	14	
6.25		7.5	12.1	5054331286	5054331284	5054331282	5054331281	5054331280	12	
5		6.25	10.85	5054331086	5054331084	5054331082	5054331081	5054331080	10	
3.75		5	9.6	5054330886	5054330884	5054330882	5054330881	5054330880	8	
D		C	B	A	エンボス梱包	エンボス梱包	エンボス梱包	エンボス梱包	エンボス梱包	極数 CKT.
					EMBOSS TAPE PACKAGE	EMBOSS TAPE PACKAGE	EMBOSS TAPE PACKAGE	EMBOSS TAPE PACKAGE	EMBOSS TAPE PACKAGE	
D		C	B	A	オーダー番号	オーダー番号	オーダー番号	オーダー番号	オーダー番号	極数 CKT.
					ORDER NO.	ORDER NO.	ORDER NO.	ORDER NO.	ORDER NO.	

部品 PART	材質 MATERIAL
ハウジング HOUSING	ポリアミド(PA) UL94V-0 色 : 表参照 POLY AMIDE(PA) UL94V-0 COLOR : SEE CHART
ターミナル 及び ネイル TERM AND NAIL	黄銅 BRASS 錫ビスマスめっき : 1.0 micro-meter MIN. TIN-BISMUTH PLATED ニッケルめっき (下地) : 1.0 micro-meter MIN. NICKEL (UNDER PLATING)
カバーテープ COVER TAPE	ポリイミド POLYIMIDE

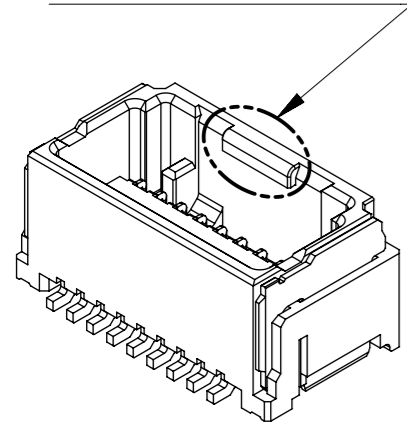
THIS DRAWING CONTAINS INFORMATION THAT IS PROPRIETARY TO MOLEX ELECTRONIC TECHNOLOGIES, LLC AND SHOULD NOT BE USED WITHOUT WRITTEN PERMISSION

REVISED EC NO: 112331 DRWN: TAKAIKE CHK'D: KOMURAKAMI APPR: TKANEKO 2017/01/20 2017/03/30 2017/04/03	GENERAL TOLERANCES (UNLESS SPECIFIED)		DIMENSION UNITS	SCALE
	ANGULAR TOL ± 3.0 °		MM	4:1
	4 PLACES ±	DRWN BY TAKAIKE		DATE 2016/12/27
	3 PLACES ±	CHK'D BY KOMURAKAMI		DATE 2016/12/28
	2 PLACES ± 0.2	APPR BY TKANEKO		DATE 2016/12/28
1 PLACE ± 0.2	DRAWING SIZE		THIRD ANGLE PROJECTION	
0 PLACES ± 0.2	A3			
DRAFT WHERE APPLICABLE MUST REMAIN WITHIN DIMENSIONS				

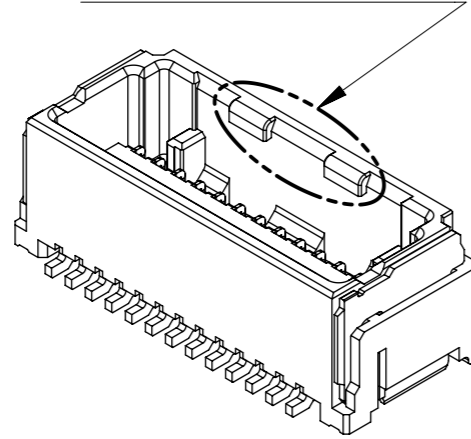
MICRO-LOCK PLUS 1.25 W/B DUAL ROW ST SMT PLUG ASSY WITH COVER TAPE			
PRODUCT CUSTOMER DRAWING			
SERIES	MATERIAL NUMBER	CUSTOMER	
505433	SEE TABLE	GENERAL	
DOCUMENT NUMBER		DOC TYPE	DOC PART
5054331000		PSD	000
SHEET NUMBER			
1 OF 2			

係止形状違い

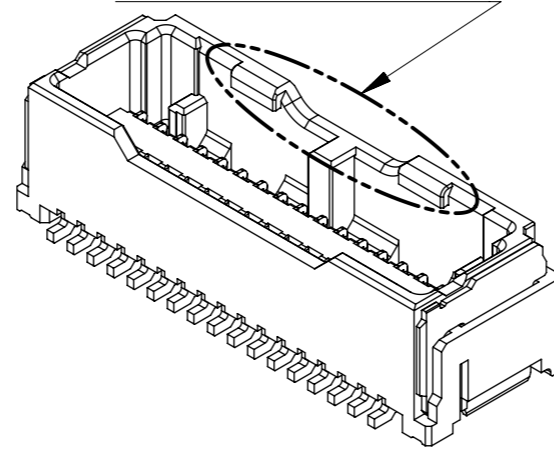
8-24 CKT. 係止形状



26-32 CKT. 係止形状

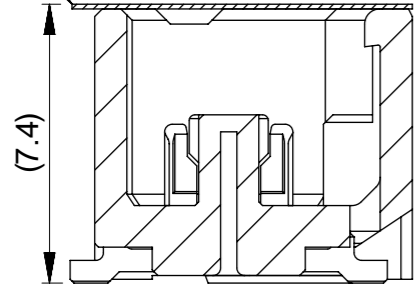


34-42 CKT. 係止形状



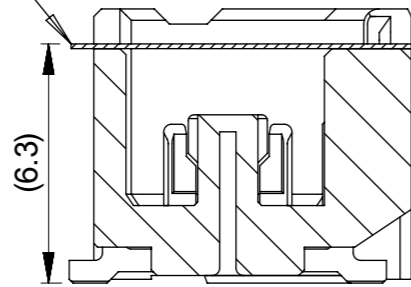
吸着テープ高さ違い

COVER TAPE

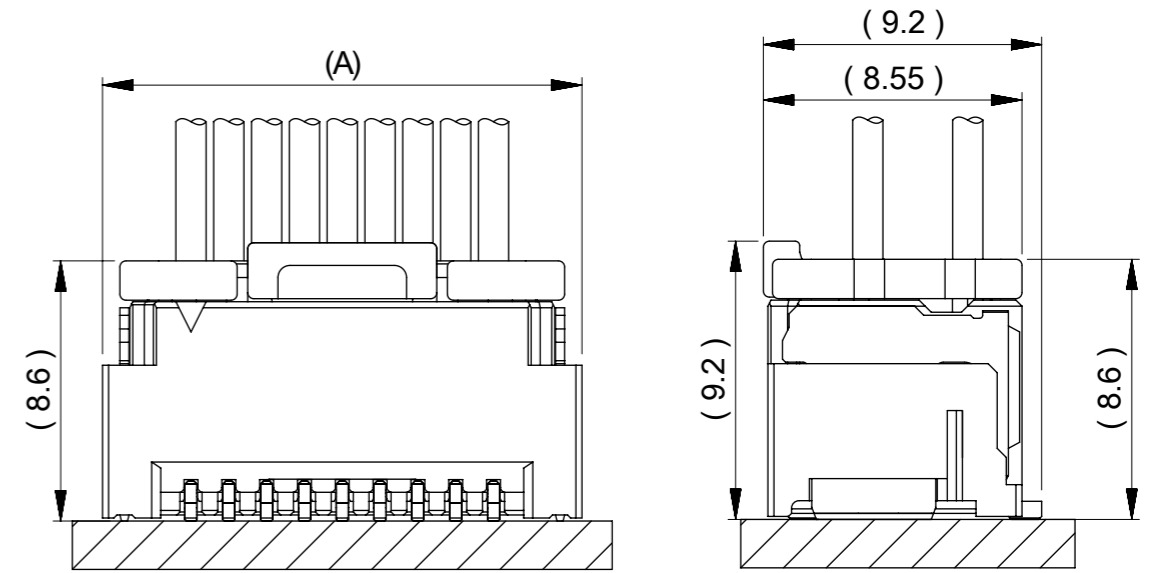


8-32 CKT.

COVER TAPE

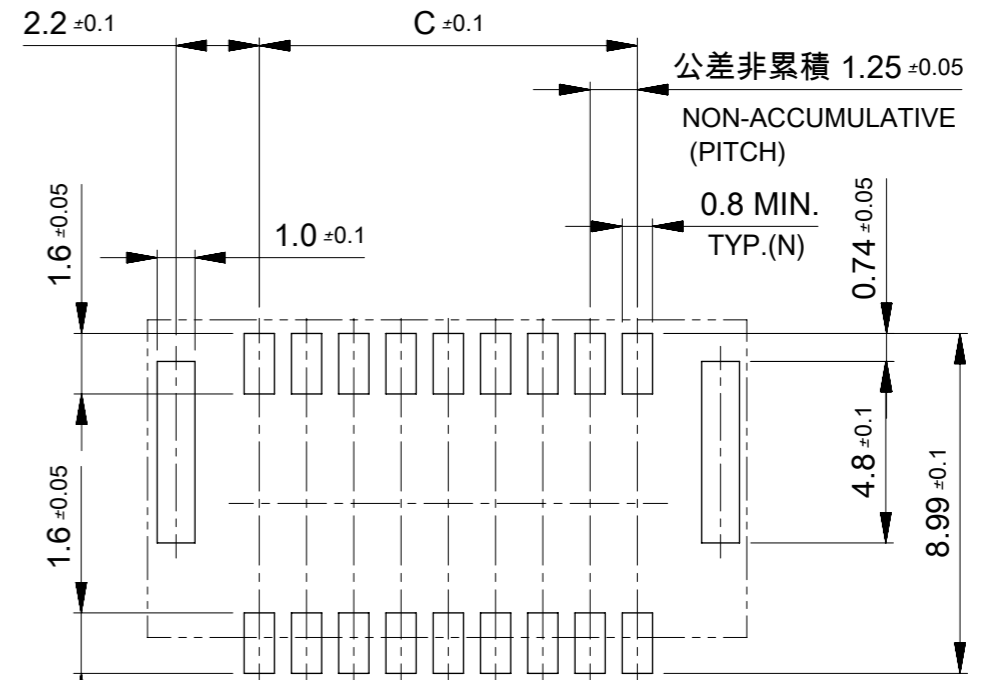


34-42 CKT.



嵌合状態図

MATED CONNECTORS



基板パターンレイアウト (参考)

RECCOMENDED P.C.B. PATTERN LAYOUT (REF.)  
(メタルマスク厚さ : 150µm)

THIS DRAWING CONTAINS INFORMATION THAT IS PROPRIETARY TO MOLEX ELECTRONIC TECHNOLOGIES, LLC AND SHOULD NOT BE USED WITHOUT WRITTEN PERMISSION

REVISED	EC NO: 112331	DRWN: TAKAIKE	2017/01/20	GENERAL TOLERANCES (UNLESS SPECIFIED)	DIMENSION UNITS	SCALE	<b>molex</b> <sup>®</sup>	
	CHK'D: KOMURAKAMI	2017/03/30	MM		4:1			
	APPR: TKANEKO	2017/04/03	ANGULAR TOL ± 3.0 °		DRWN BY	DATE		
	4 PLACES ±	TAKAIKE	2016/12/27		CHK'D BY	DATE		
	3 PLACES ±	KOMURAKAMI	2016/12/28		APPR BY	DATE		
2 PLACES ± 0.2	TKANEKO	2016/12/28	DRAFT WHERE APPLICABLE MUST REMAIN WITHIN DIMENSIONS	DRAWING SIZE	THIRD ANGLE PROJECTION	SERIES	MATERIAL NUMBER	CUSTOMER
1 PLACE ± 0.2	A3		505433	SEE TABLE	GENERAL			
0 PLACES ± 0.2			DOCUMENT NUMBER	DOC TYPE	DOC PART	SHEET NUMBER		
			5054331000	PSD	000	2 OF 2		