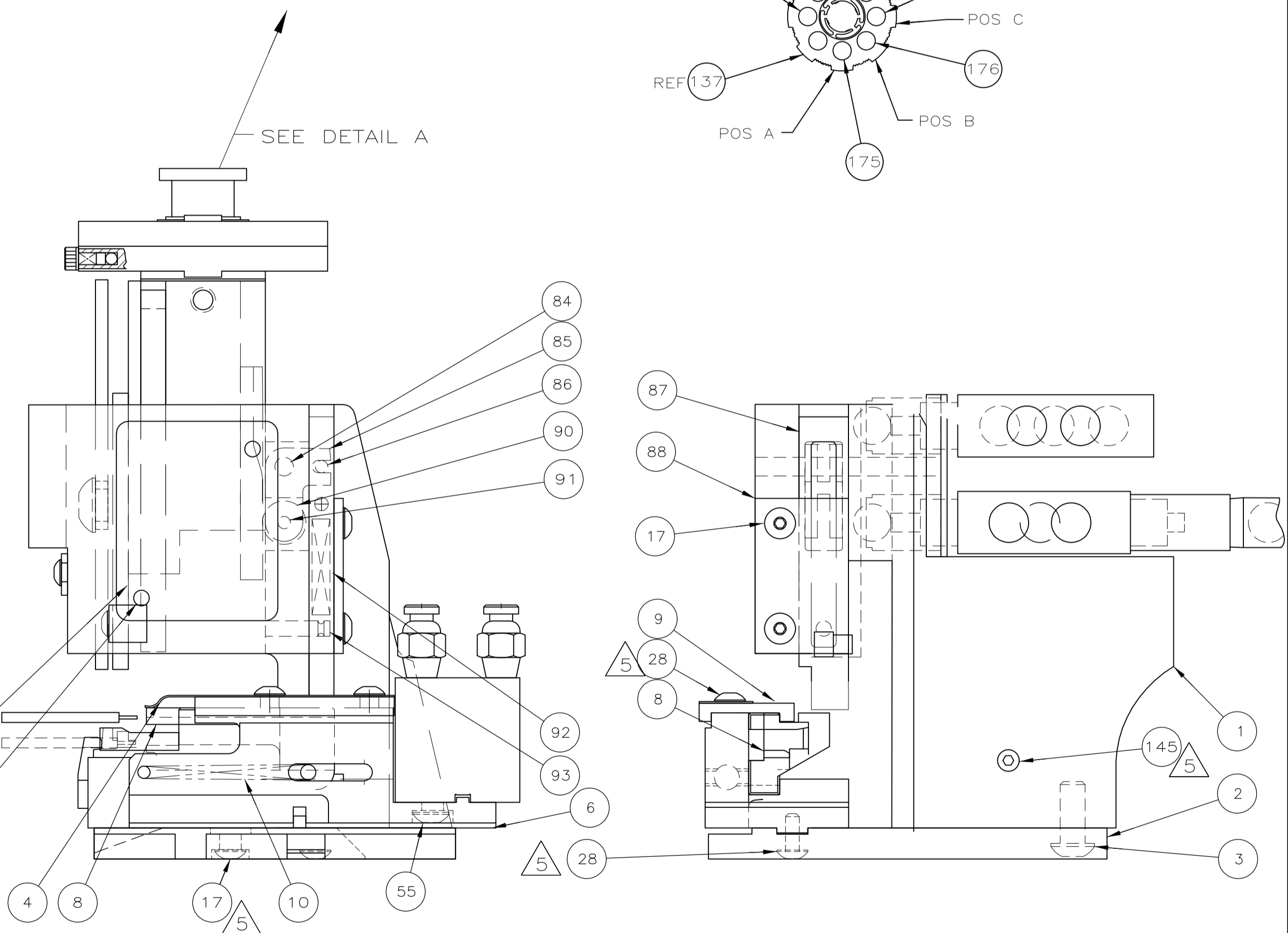
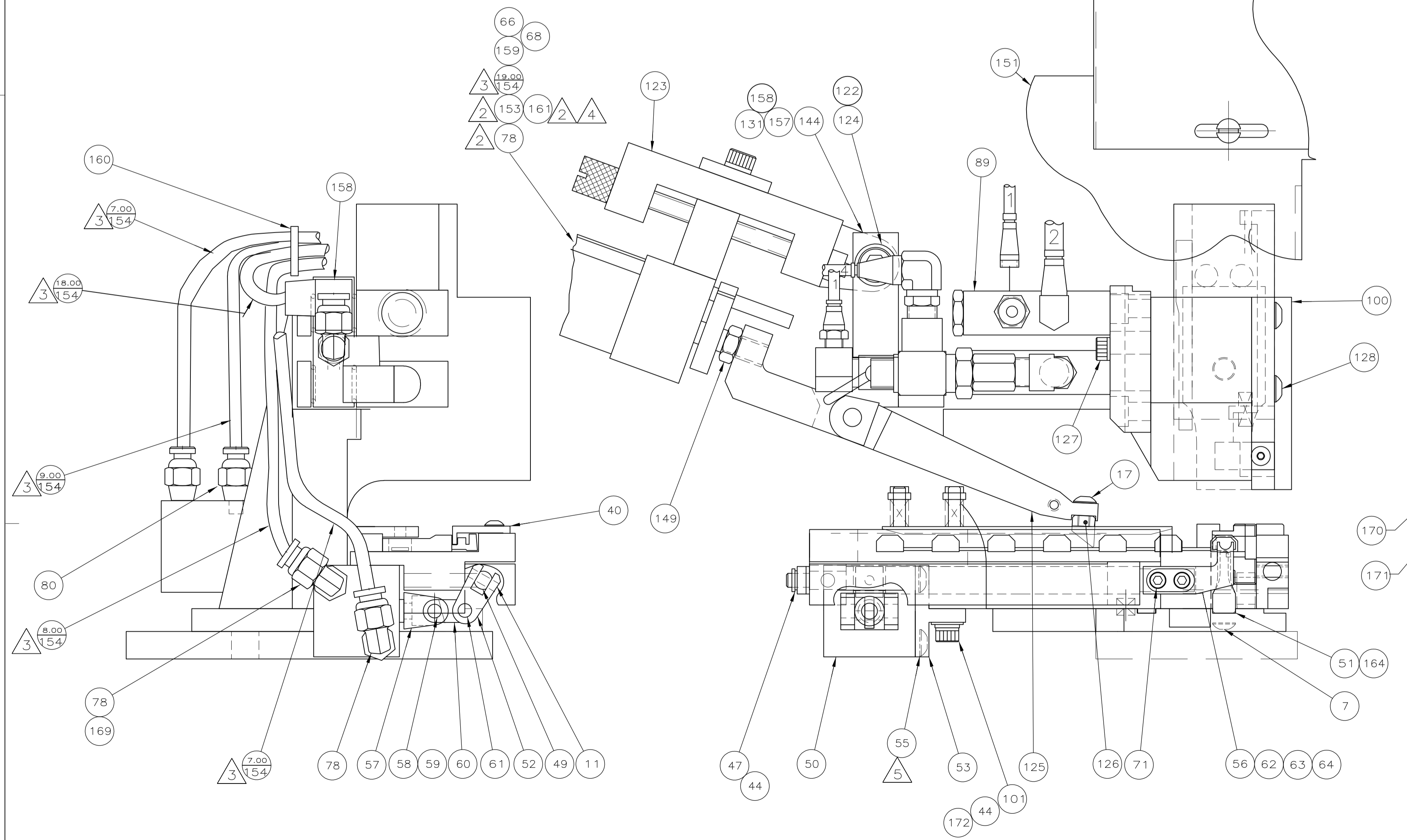
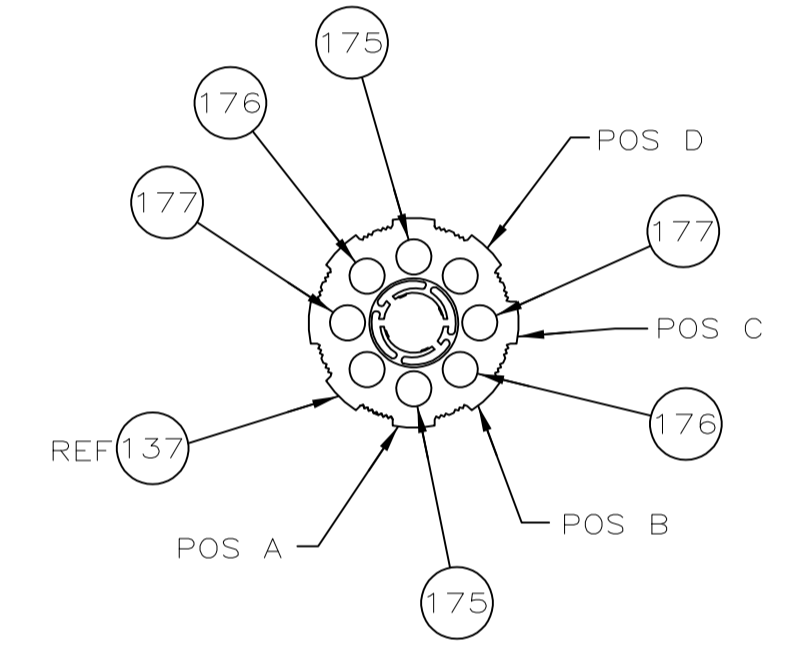
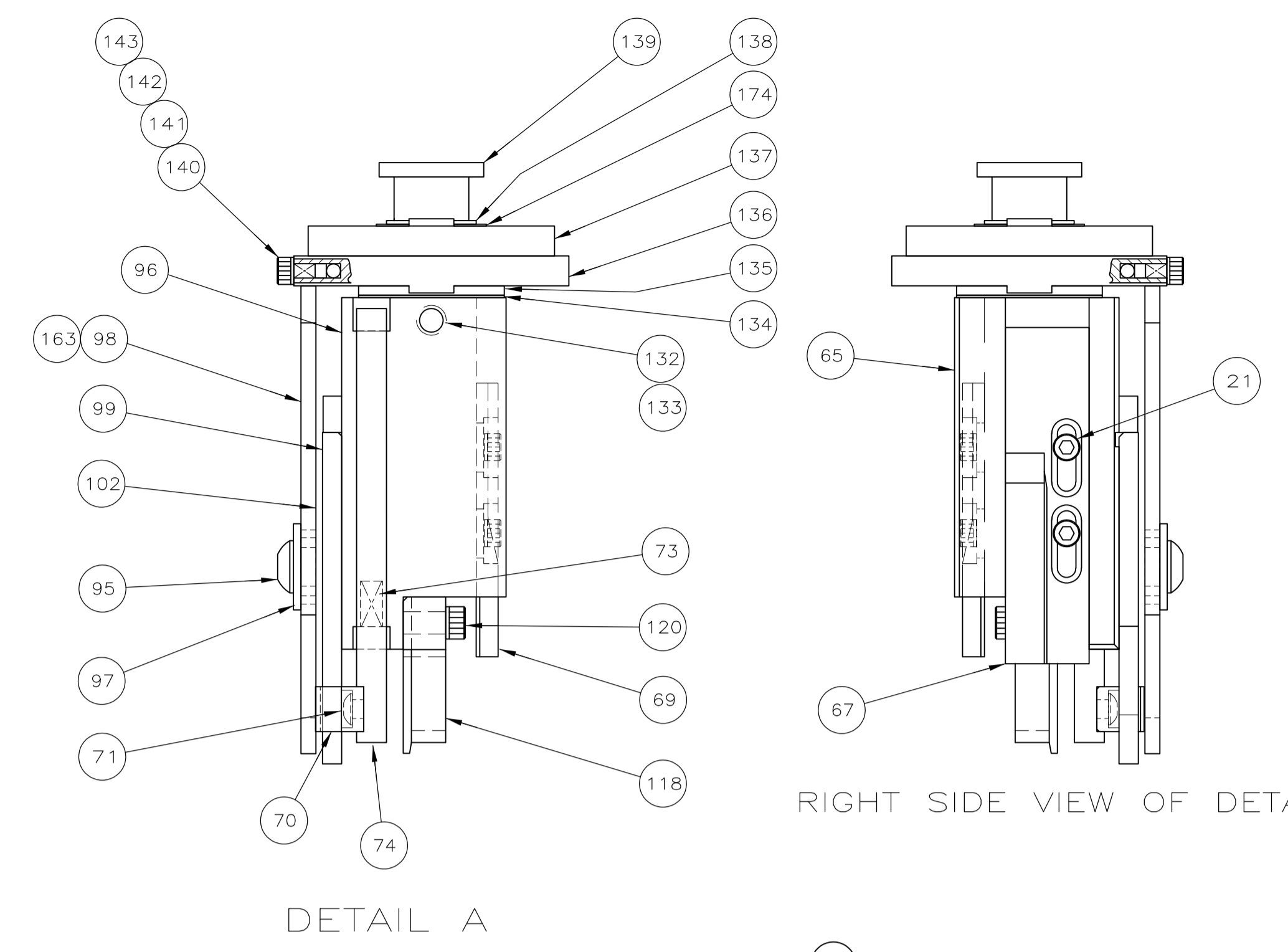
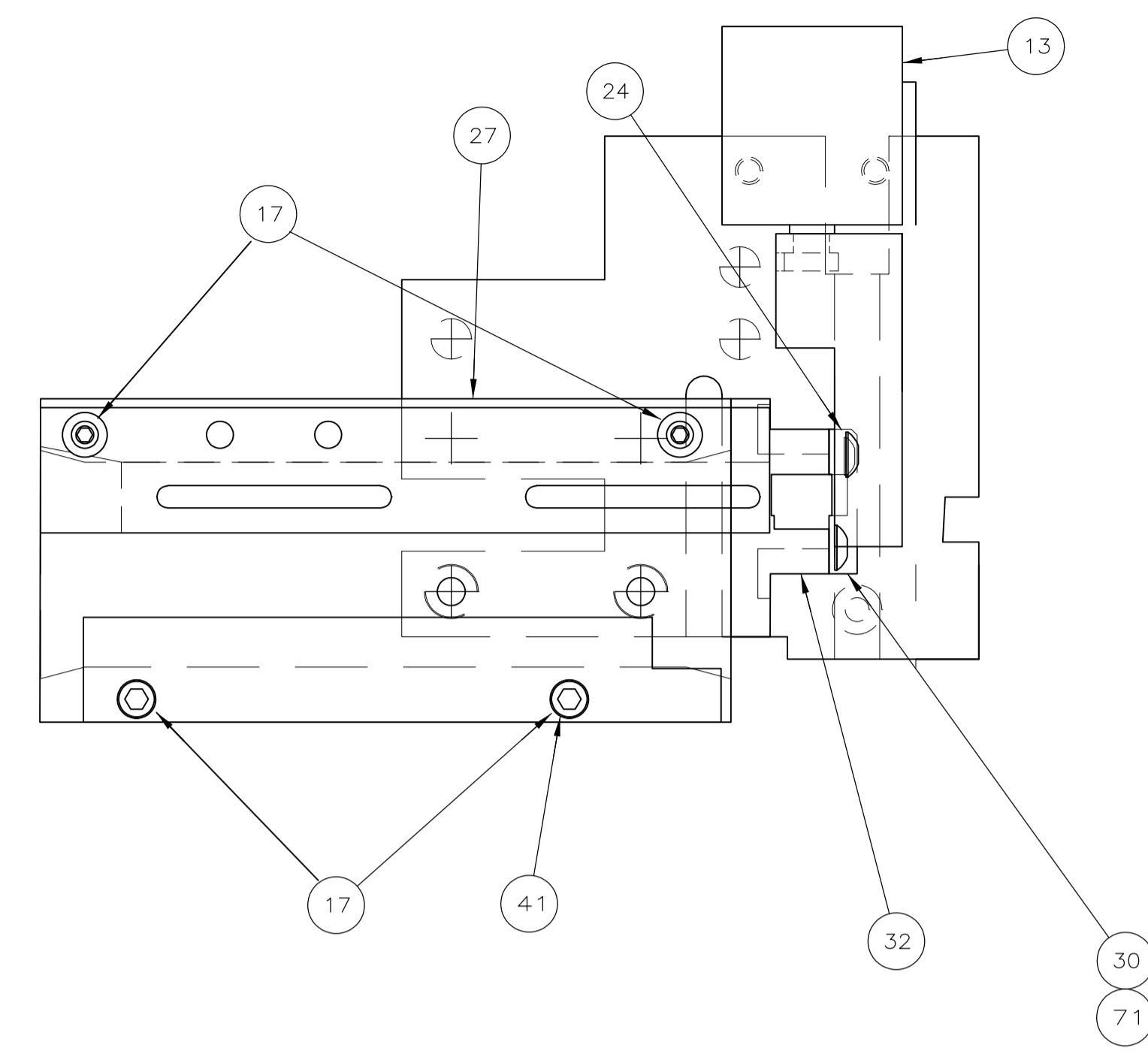
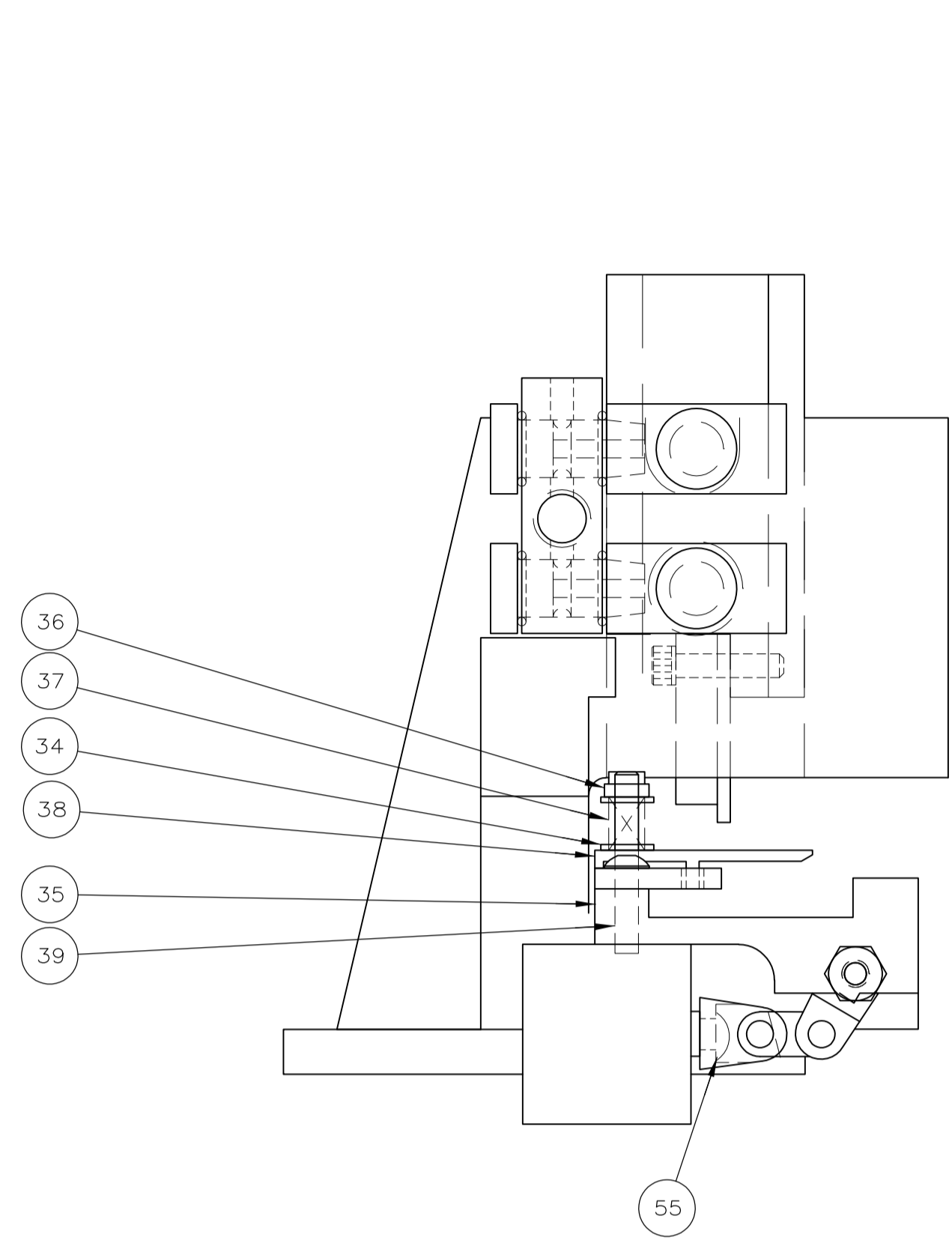




DIMENSIONING AND TOLERANCING PER ASME Y14.5M (ISO STANDARDS)  
THIS DRAWING IS A CONTROLLED DOCUMENT.  
FIG. NO. 680017



LOC	A
DIST	66

REVISION RECORD	DATE	OWN	APVD
- SEE SHEET 1	-	-	-

DIMENSIONS:	TOLERANCES UNLESS OTHERWISE SPECIFIED:
INCHES	0 PLC ± .010
	1 PLC ± .005
	2 PLC ± .002
	3 PLC ± .001
	4 PLC ± .0005
ANGLES:	-
SURFACE TEXTURE:	✓

DWN	M. O'BRINE	7-6-93	MATERIAL	-	HEAT TREAT	-					
CHK	C. ERISMAN	7-8-93									
APVD	B. WOLFE	7-8-93									
NAME	ULTRA-POD APPLICATOR .250 10 GA										
SCALE	1:1	SIZE	A1	DRAWING NO	680017	SHEET	2	OF	2	REV	P

CUSTOMER ACCESSIBLE PRODUCTION DRAWING