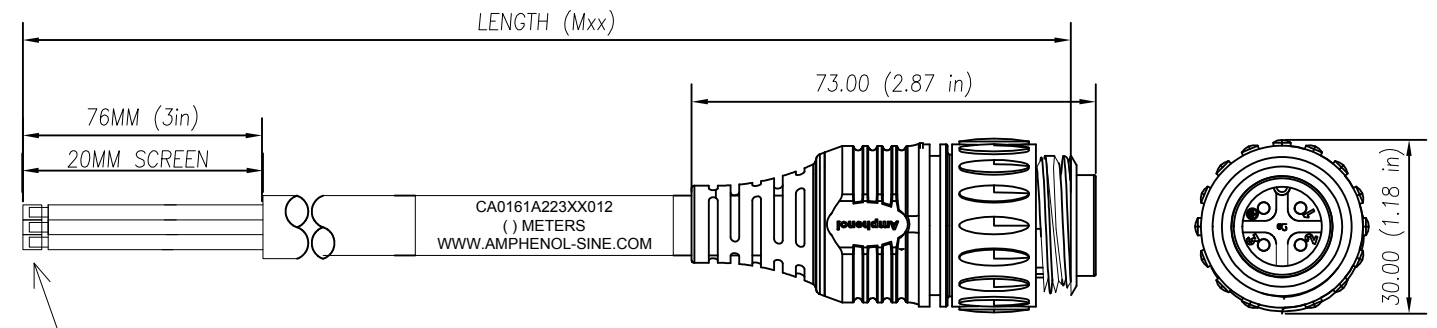


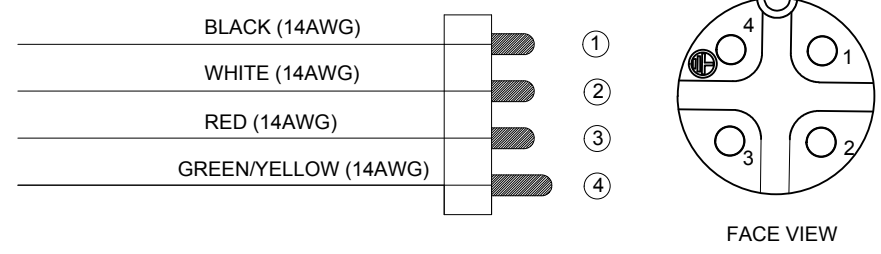
REVISIONS							
REV	ZONE	ECO	DESCRIPTION	DATE	BY	CHK	APPR
A1	-	-	TECHNICAL DATA SHEET RELEASE	14-JULY-2017	RO	-	-

Part Number	Length (Meters)
CA0161A22301012	1 (3.28 FEET)
CA0161A22302012	2 (6.56 FEET)
CA0161A22303012	3 (9.84 FEET)
CA0161A22305012	5 (16.40 FEET)
CA0161A22307012	7 (22.96 FEET)
CA0161A22310012	10 (32.80 FEET)
CA0161A22313012	13 (42.65 FEET)
CA0161A22315012	15 (49.21 FEET)



WIRES SEMI-STRIP AT 9.5MM (3/8")

WIRING DIAGRAM



TECHNICAL DATA:

- 1) MATERIALS:
 COUPLING NUT: NYLON PA 6.6
 INSULATION INSERT: NYLON PA 6.6, UL 94/V-0
 CONTACT: SILVER PLATED
 OVERMOLD MATERIAL: THERMOPLASTIC COLOR: BLACK
 CABLE RATING: UL LISTED: TC-ER PER UL 1277, MTW PER UL 1063, WTTC PER UL 2277, SUMERSIBLE
 PUMP ATTRIBUTES LISTED: UL OIL RES I/II, 75°C WET; 90°C DRY, SUNLIGHT RESISTANT, DIRECT BURIAL, NFPA 79 2015
 CABLE JACKET MATERIAL: PVC COLOR: BLACK
 CONDUCTOR INSULATION: PVC
 NUMBER OF CONDUCTORS: (4) 14AWG

- 2) ELECTRICAL DATA:
 CURRENT (MAX): 16A
 VOLTAGE (MAX): 400V AC/DC
 INSULATION RESISTANCE (MIN): 5000M OHMS
 DIELECTRIC TEST VOLTAGE: 2200V

- 3) MECHANICAL DATA:
 TEMPERATURE RANGE: -40°C TO +100°C
 PROTECTION: IP68 (MATED CONDITION)
 MATING CYCLES: >500

4) RoHS COMPLIANT

Risk of Electrical Shock
 Do Not Disconnect Under Load.
 Risque de chocs électriques
 Ne pas debrancher sous tension.

WARNING

TOLERANCE	
0-2.99 M = +100.0/-25.0mm	0-9.99 FT = +4" / -1"
3-8.99 M = +150.0/-25.0mm	10.00-29.99 FT = +6" / -1"
9-14.99 M = +300.0/-25.0mm	30.00-49.99 FT = +12" / -1"
15-OVER M = +450.0/-25.0mm	50 FT-OVER = +18" / -1"

QUANTITY	PART NUMBER	DESCRIPTION	ITEM
MATERIALS LIST			
Amphenol			
Sine Systems - www.sineco.com 44724 Morley Drive Clinton Township, MI 48036			
Ecomate 4 Pos Circular Molded, Std. Strain relief, Male to Leads, 14AWG			
UNLESS OTHERWISE SPECIFIED		SIGNATURES DATE	
1) All dimensions are in metric(mm).		DRAWN: KMM	12-MAY-14
2) Tolerances are as follows:		CHECKED: MRF	12-MAY-14
1 PL DEC ±0.30 Fractions ±1/64		ENGINEER: KMM	
2 PL DEC ±0.15 Angles ±1°		APPROVAL: RFC	12-MAY-14
3 PL DEC ±0.08		CUSTOMER:	
MATERIAL SPECIFICATIONS:			
THIS DRAWING IS SUPPLIED FOR INFORMATION ONLY. DESIGN FEATURES, SPECIFICATIONS AND PERFORMANCE DATA SHOWN HEREON ARE THE PROPERTY OF THE AMPHENOL CORPORATION. NO RIGHTS OF REPRODUCTION ARE IMPLIED. ALL DIMENSIONS ARE SUBJECT TO NORMAL MANUFACTURING VARIATIONS.			
PROCESS SPECIFICATIONS:	SIZE	TYPE	DWG NO.
NEXT ASSY:	SCALE	C-	CA0161A223XX012
	HALF		A1

TITLE: 14AWG 4-POS STRIP-SRN 14AWG PART NO: 14AWG4PSTR14AWG REV: C1 SHEET 1 OF 1