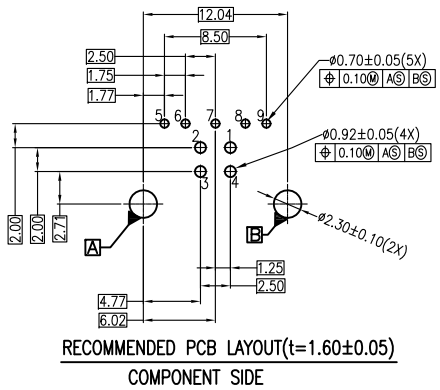
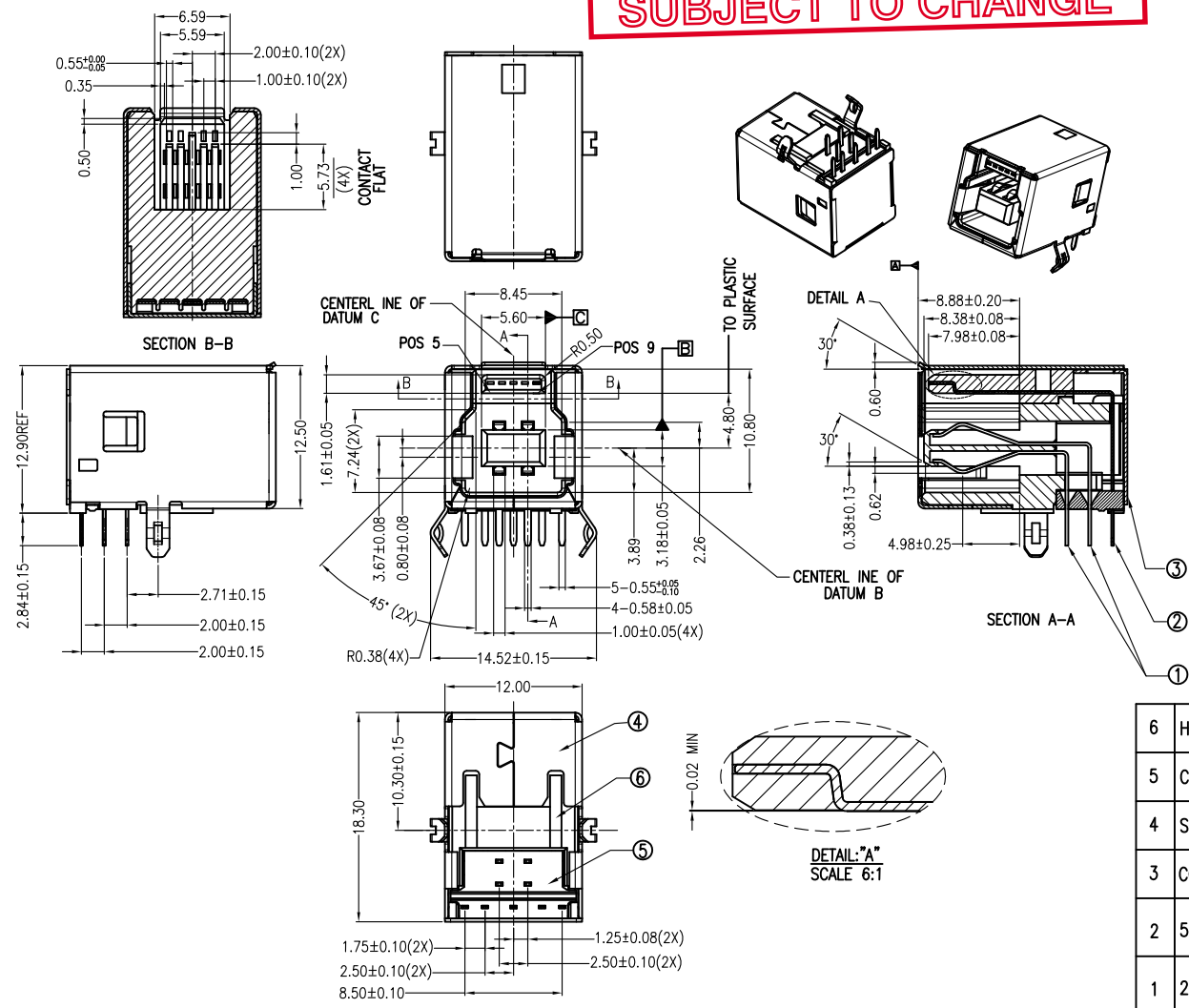


This document is the property of Amphenol Corporation and is delivered on the express condition that it is not to be disclosed, reproduced or used, in whole or in part, for manufacture or sale by anyone other than Amphenol Corporation without its prior consent, and that no right is granted to disclose or to use any information in this document.

The marking on this product doesn't contain environmental hazardous materials per Material Specification 55-00259 for Sony GP compliant or per directive 2002/95/EC for RoHS compliant.

**PRELIMINARY RELEASE
SUBJECT TO CHANGE**

REVISIONS				
SYM	ECN No.	DESCRIPTION	DATE	APPROVED
AX1		UNAPPROVED REVISION	06/03/2009	Arron Lin
AX2		MODIFIED MATERIAL	06/19/2009	Arron Lin
AX3		MODIFIED NOTES	07/29/2009	Arron Lin
AX4		MODIFIED NOTES	09/25/2009	Arron Lin
AX5		MODIFIED PN No.	11/12/2009	Arron Lin



ITEM	DESC.	MATERIAL	REMARKS	PART REMARKS
6	HOUSING	LCP	30%GF UL94V-0 COLOR:BLUE 300C	
5	COVER	LCP	30%GF UL94V-0 COLOR:BLUE 300C	
4	SHELL	BRASS (T=0.30mm)	OVER-PLATING:NI 30u"	
3	COVER SHELL	SPCC T=0.30	OVER-PLATING:NI 80u"	
2	5P TERMINAL	BRASS (T=0.20mm)	UNDER-PLATING:NI 30u" SOLDER AREA:Sn 120u" CONTACT AREA:GOLD 30u"	
1	2P TERMINAL	PHOSPHOR BRONZE T=0.25mm	UNDER-PLATING:NI 30u" SOLDER AREA:Sn 120u" CONTACT AREA:GOLD 30u"	

TOLERANCE	DRAWN	APPROVALS	DATE	TITLE	UNIT	SIZE	PART No.
X.	DESIGNED	Daniel Hsieh	09/25/2009	USB 3.0 B TYPE CONNECTOR R/A DIP TYPE	mm	A3	GSB321131HR
X.X ±0.30	CHECKED	Roger Tsai	09/25/2009				
X.XX ±0.20	APPROVED	Arron Lin	09/25/2009				
X.XXX ±0.10	DWG TYPE	CUST DWG	PROJECT CODE	OTHER	SCALE	SHEET	DWG No.
ANGULAR ±1°					NA	1 OF 1	GSB321131HR
UNLESS OTHERWISE SPECIFIED							REV. AX5

Amphenol®

Amphenol Corporation
Amphenol Taiwan Corporation

