



austriamicrosystems AG

is now

ams AG

The technical content of this austriamicrosystems application note is still valid.

Contact information:

Headquarters:

ams AG
Tobelbaderstrasse 30
8141 Unterpremstaetten, Austria
Tel: +43 (0) 3136 500 0
e-Mail: ams_sales@ams.com

Please visit our website at www.ams.com

AS5045 / AS5145 Demoboard

Operation Manual

1 General Overview

The AS5045/AS5145A/B is a contactless magnetic rotary encoder for accurate angular measurement over a full turn of 360°.

It is a system-on-chip, combining integrated Hall elements, analog front end and digital signal processing in a single device.

To measure the angle, only a simple two-pole magnet, rotating over the center of the chip, is required. The magnet may be placed above or below the IC.

The absolute angle measurement provides instant indication of the magnet's angular position with a resolution of 0.0879° = 4096 positions per revolution. This digital data is available as a serial bit stream and as a PWM signal.

An internal voltage regulator allows the AS5045/AS5145A/B to operate at either 3.3 V or 5 V supplies

Note: AS5145A/B are pre-programmed versions of AS5145. It provides 10bit (A) or 12bit (B) incremental output.

2 The AS5045/AS5145A/B Demoboard

The AS5x45 demoboard is a complete rotary encoder system with built-in microcontroller, USB interface, graphical LCD display and PWM output LED.

The board is USB powered or externally supplied with a 9V battery for standalone operation.

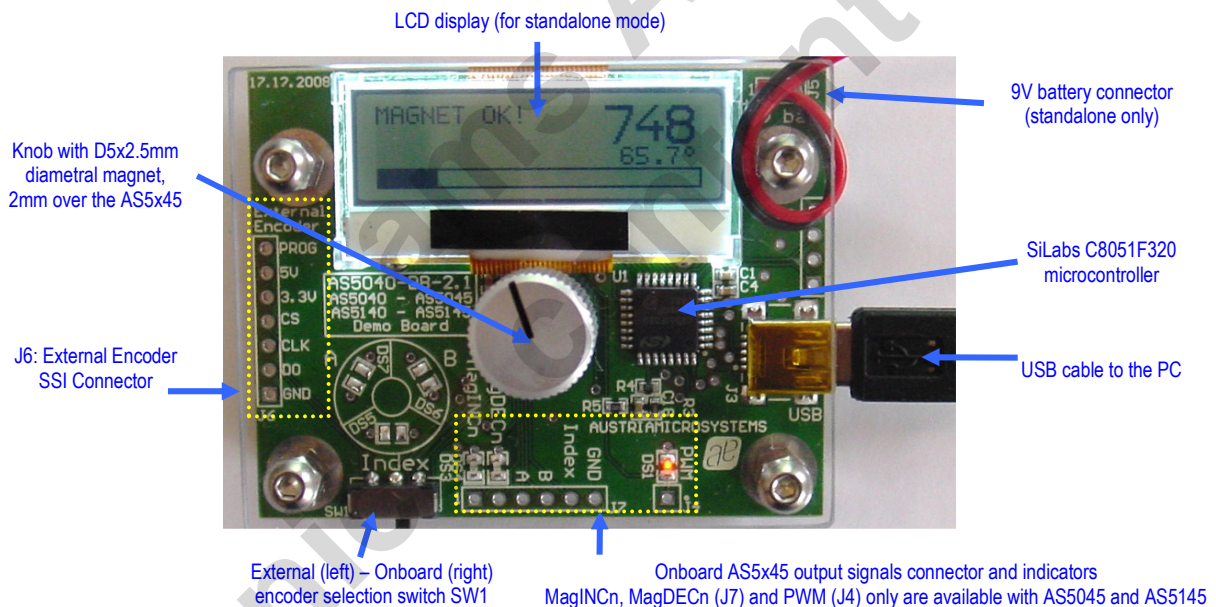


Figure 1: AS5x45 Demoboard hardware with mounted magnet knob

3 Operating the AS5045/AS5145A/B Demoboard

The AS5x45 demoboard can be used in several ways:

- **As standalone unit supplied by a 9V battery**

Connect a 9V battery to the battery connector on the top right side of the board. No other connections are required.

- **As standalone unit supplied by an USB port**

Connect the demoboard to a PC using a USB/USB cable (included in demoboard shipment). The board is supplied by the 5V supply of the USB port. No other connections are required.

- **As input device for the AS5000 Programmer GUI software**

This configuration uses the same USB hardware connection as above, but additionally the AS5000 Programmer GUI software is running. The LCD display will be turned off and the Angle/Status bits will be displayed on the PC screen. Some extra features as zero position programming can be achieved. The parameters will not be permanently programmed. All the parameters will be lost when the demoboard is shut down. For a permanent device programming, the "AS5000 Programmer" hardware should be used.

3.1 Graphic LCD display

The LCD display shows the realtime absolute angle position of the magnet with a resolution of $0.09^\circ = 4096$ positions per revolution (AS5045/AS5145A/B) and the absolute value of the angle.

Turning the knob clockwise will increase the angle value until 359.9° (value 4095), then 0° .

The magnet status indicator is related to the magnet position. If the magnet is too close or too far away from the encoder, "Magnet out of range" will be displayed.

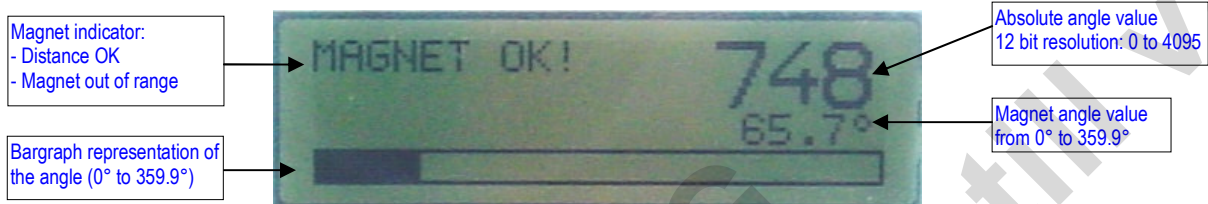


Figure 2: LCD display in standalone mode (9V battery or USB powered without GUI)

3.2 PWM LED

The PWM LED is connected to the PWM output of the AS5045/AS5145A/B. The PWM output is a pulse width that is proportional to the angle of the magnet.

The pulse width varies from $1\mu\text{s}$ to $4096\mu\text{s}$ with a repetition rate of 244Hz. Viewing the PWM signal on the LED results in brightness that is proportional to the angle of the magnet. When the angle of the magnet is at 0° , the LED is almost dark, as it is $1\mu\text{s}$ on and $4095\mu\text{s}$ off. Turning the knob clockwise towards higher angles increases the brightness of the PWM LED, since the ON-pulse becomes longer and the OFF-pulse becomes shorter.

Likewise, the PWM output can be used as an analog output proportional to the angle, when the PWM signal is filtered by a RC (or active) lowpass filter.

The PWM signal (digital 0 ~ 3.3V) can be directly taken from the connector J4.

3.3 MagINCn and MagDECn

MagINCn and MagDECn are the magnetic field change indicators (magnetic field strength increase or decrease through variation of the distance between the magnet and the device).

These outputs can be used to detect the valid magnetic field range. If both indicators lit simultaneously (MagINCn = 0 and MagDECn = 0), the magnet is out of range, the airgap between the encoder and the magnet is too high or too low. In that case, "Magnet out of range" will be displayed on the LCD display.

4 AS5000 Programmer GUI software

4.1 Installing the GUI on the PC

The preliminary software is developed for a Microsoft Windows XP operating system with Service Pack 2. In addition the dotnet (.NET) framework version 2.0 or more must be installed on the PC. This package can be downloaded free of charge from the Microsoft webpage:

<http://www.microsoft.com/downloads/details.aspx?FamilyID=0856eacb-4362-4b0d-8edd-aab15c5e04f5&displaylang=en>

Following Procedure is recommended before starting the GUI:

1. check on your PC if Service Pack 2 is installed
2. install the mentioned .NET package to your computer
3. execute setup.exe
4. Finally start the GUI using the shortcut in the start menu or desktop.

4.2 The Home tab

Figure 3 shows the main window of the GUI. On the top left corner, board information's as firmware (FW) version and demoboard name declaration can be found.

By default the GUI is in the auto detection mode. Any connected austriamicrosystems demoboard and programming tool will be automatically detected and the device type is displayed in the right top corner of the main window. The GUI is divided into three main sections HOME, SSI and OTP.

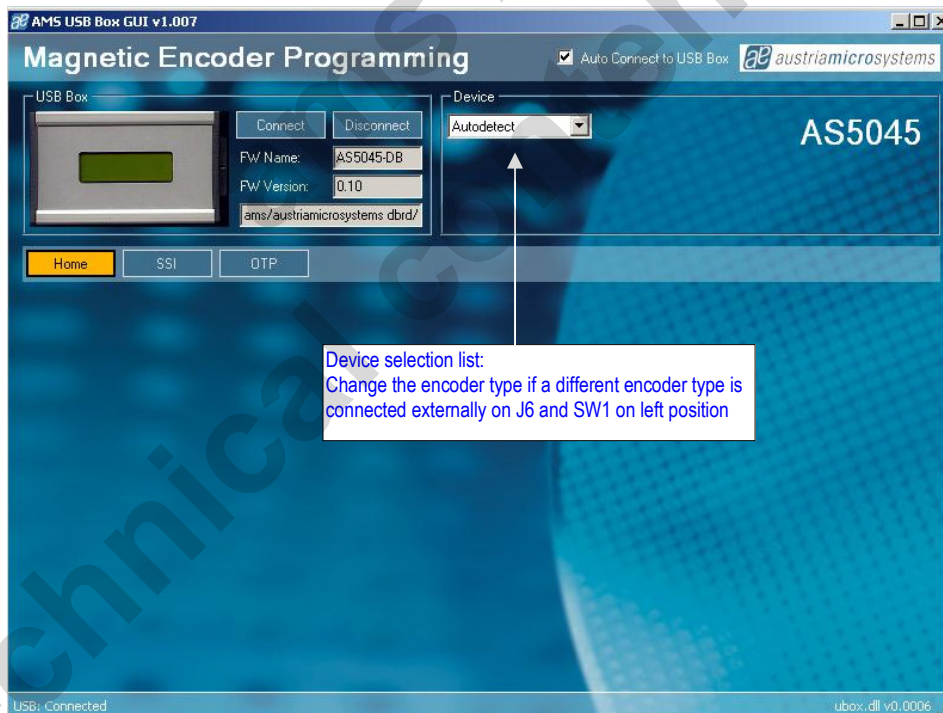


Figure 4: AS5000 GUI has detected the AS5045 Demoboard

4.3 The SSI tab

By selecting the SSI (serial protocol for AS5040, AS5140, AS5043, AS5143, AS5045, AS5145A/B) tab, the real time information of the angular position and the status bits are displayed. See figure 4.

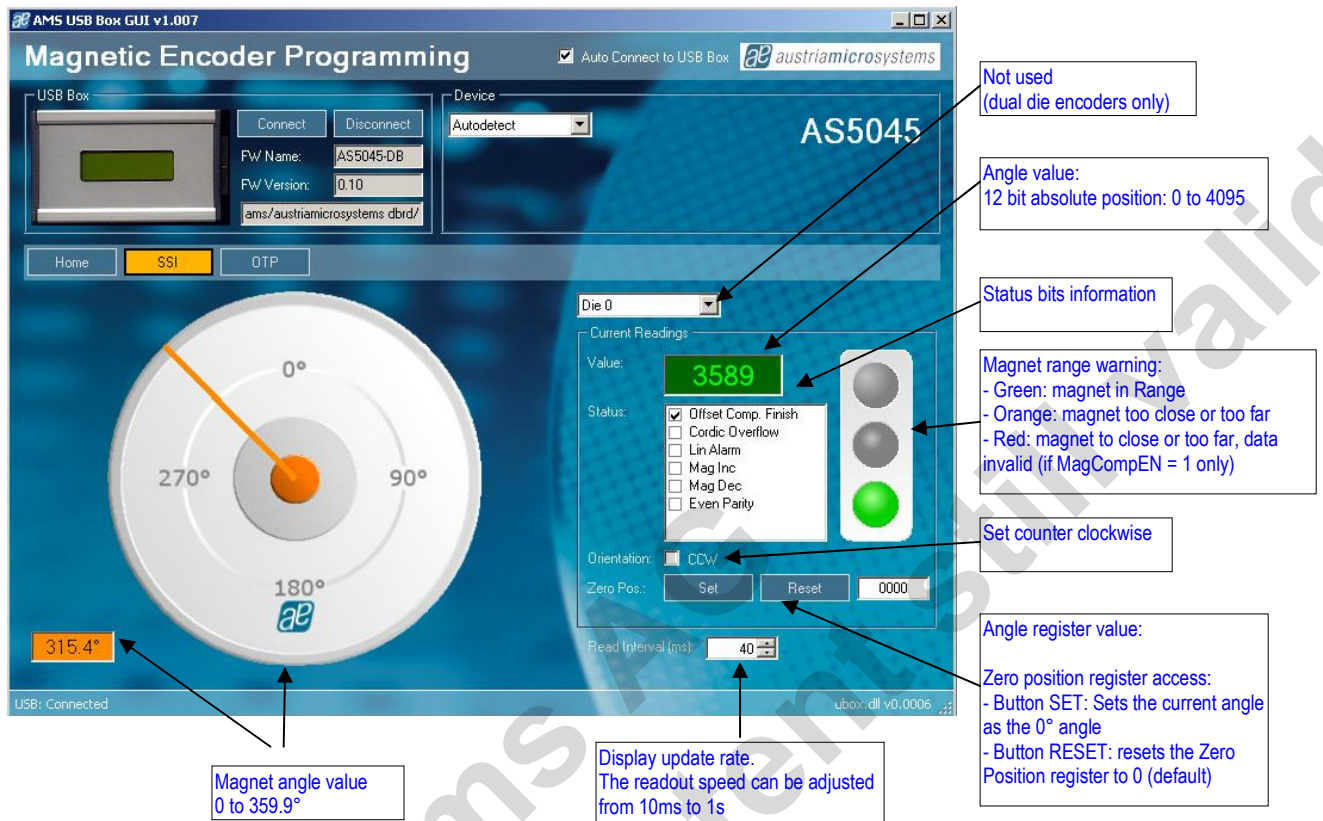


Figure 5: SSI tab, shows the SSI bus data of the selected encoder

Value is the Angle data [D11:D0] from the RD_ANGLE (Read Angle) serial command. This value is continuously updated.

The **Zero Pos.** value represents the Zero Position register. By clicking on the **Set** button, the actual angle "Value" is written into the Zero Position register. Clicking on **Reset** writes the value 0 to the Zero Position register.

The **Magnetic Range Warning** is continuously read from the RD_ANGLE serial command.

- Green lamp: Magnet in range
- Orange lamp: Magnet too far or too close. MagINC and MagDEC are set.
- Red lamp: Magnet too far or too close, angle value is invalid and LIN bit is set.
The red lamp is available only when OTP MagCompEN=1, available from the OTP tab.

The **Status bits information** is taken from the serial stream.

The **Read Interval** can be modified from 10 ms (fastest) to 1 s (slowest).

4.4 The OTP tab

The OTP tab is normally used for the AS5000 programmer, but the OTP bits can be changed on the AS5x45 demoboard as well.

Options like Zero Position, Pulses per revolution and Incremental Mode Selection can be changed by selecting the function in “Fields”, then changing the parameter in “Options for the selected field” or directly the decimal value of this parameter in “Value”.

Each time a field’s value has been changed, the corresponding OTP bits will be automatically checked in the right window. The button **Write** should be clicked to write the parameter into the AS5x45.

The **Read** button reads back the OTP register, and updates the “Field” parameter as well as the OTP bits window.

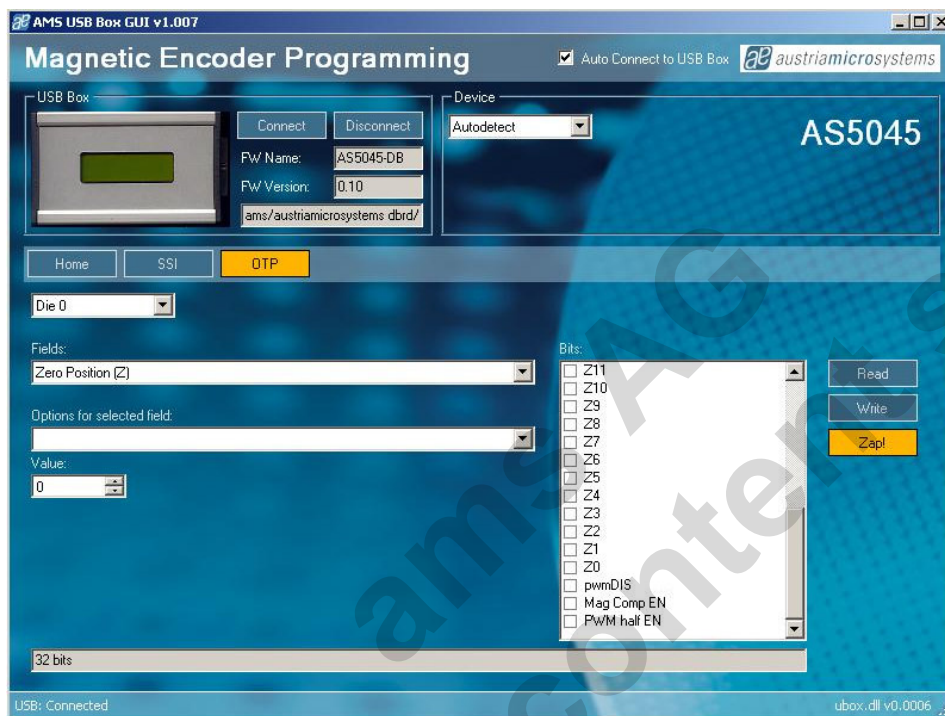


Figure 6: OTP tab

Field Zero Position: To zero position value, like on the SSI tab. The zero position value can be changed by checking the Z[11:0] bits, or changing the Value field with a decimal number.

Note: The **Zap!** button is used for the AS5000 Programmer only and has no effect on the AS5x45 Demoboard.

5 AS5045/AS5145A/B Demoboard, Schematics, Blockdiagramm

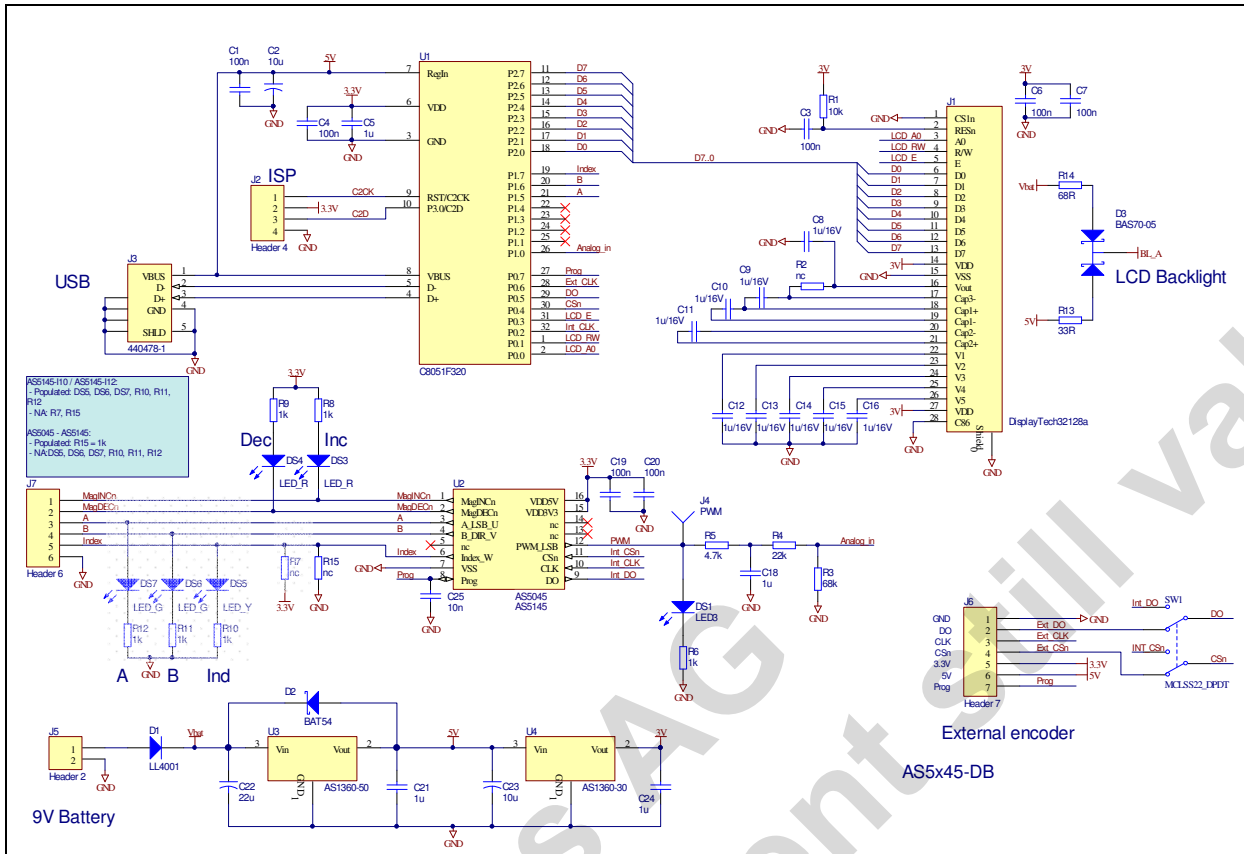


Figure 7: AS5x45/AS5145A/B-Ix Demoboard schematics

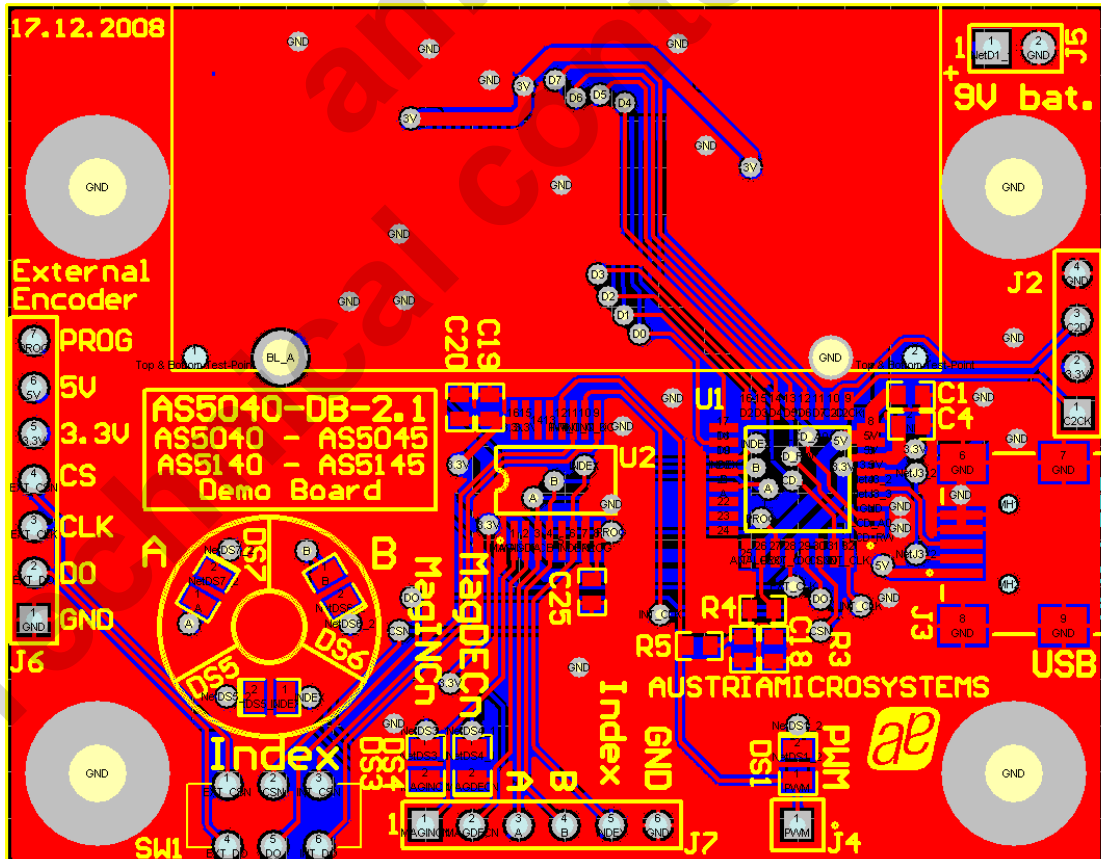


Figure 8: AS5x45/AS5145A/B-Ix Demoboard PCB Layout

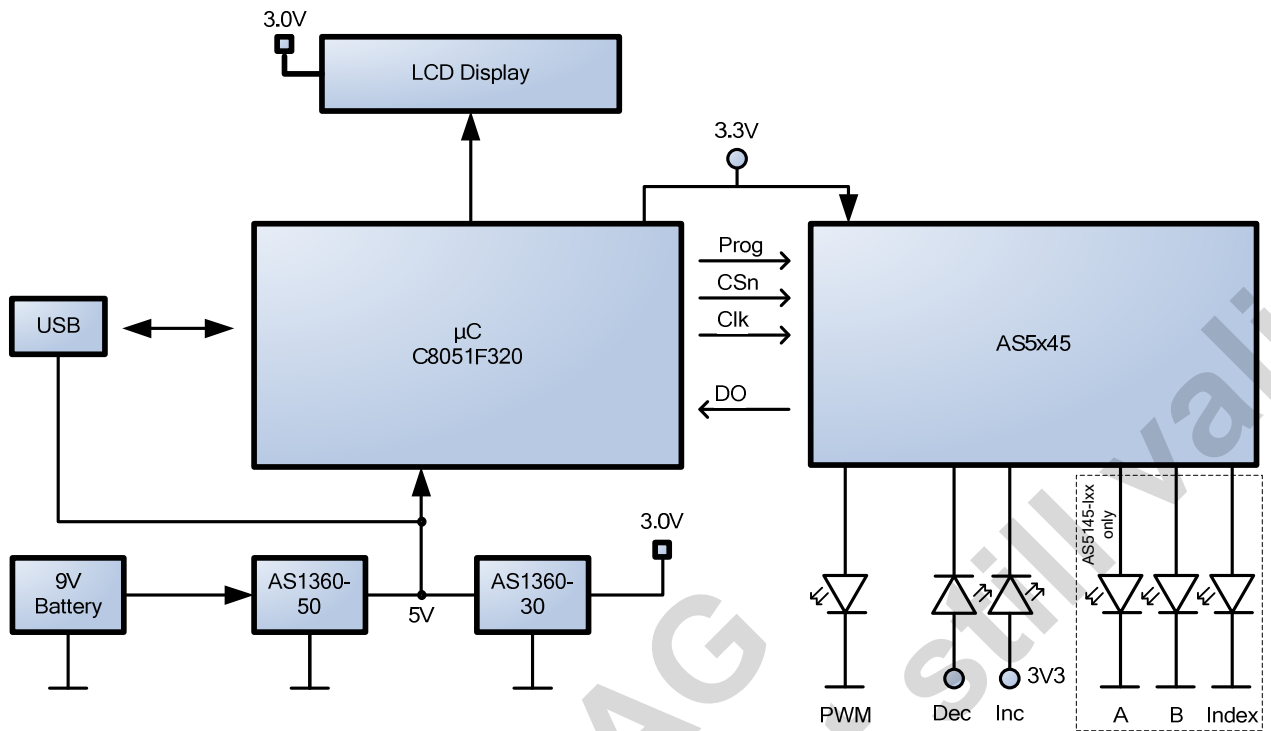


Figure 9: AS5x45 Blockdiagramm

Index

1	General Overview	1
2	The AS5045/AS5145A/B Demoboard	1
3	Operating the AS5045/AS5145A/B Demoboard	2
3.1	Graphic LCD display	2
3.2	PWM LED	2
3.3	MagINc and MagDECn	3
3.4	Encoder selection switch	4
4	AS5000 Programmer GUI software	5
4.1	Installing the GUI on the PC	5
4.2	The Home tab	5
4.3	The SSI tab	7
4.4	The OTP tab	9
5	AS5045/AS5145A/B Demoboard, Schematics, Blockdiagramm	10
	Index	13
	Revision History	14
	Contact	15
	Copyright	17

Revision History

Revision	Date	Description	
1.0	March 09, 2009	First version	
1.1	March 25, 2009	Minor corrections	
1.2	July 16, 2009	Add AS5145A/B-I10 and AS5145A/B-I12	
1.3	July 22, 2009	Minor corrections	

Contact

Headquarters

austriamicrosystems AG
 A 8141 Schloss Premstätten, **Austria**
 Phone: +43 3136 500 0
 Fax: +43 3136 525 01
industry.medical@austriamicrosystems.com
www.austriamicrosystems.com

Sales Offices

austriamicrosystems Germany GmbH
 Tegernseer Landstrasse 85
 D-81539 München, **Germany**
 Phone: +49 89 69 36 43 0
 Fax: +49 89 69 36 43 66

austriamicrosystems Italy S.r.l.
 Via A. Volta, 18
 I-20094 Corsico (MI), **Italy**
 Phone: +39 02 4586 4364
 Fax: +39 02 4585 773

austriamicrosystems France S.A.R.L.
 124, Avenue de Paris
 F-94300 Vincennes, **France**
 Phone: +33 1 43 74 00 90
 Fax: +33 1 43 74 20 98

austriamicrosystems Switzerland AG
 Rietstrasse 4
 CH 8640 Rapperswil, **Switzerland**
 Phone: +41 55 220 9008
 Fax: +41 55 220 9001

austriamicrosystems UK, Ltd.
 88, Barkham Ride,
 Finchampstead, Wokingham
 Berkshire RG40 4ET, **United Kingdom**
 Phone: +44 118 973 1797
 Fax: +44 118 973 5117

austriamicrosystems AG
 Klaavuntie 9 G 55
 FI 00910 Helsinki, **Finland**
 Phone: +358 9 72688 170
 Fax: +358 9 72688 171

austriamicrosystems AG
 Bivägen 3B
 S 19163 Sollentuna, **Sweden**
 Phone: +46 8 6231 710

austriamicrosystems USA, Inc.
 8601 Six Forks Road
 Suite 400
 Raleigh, NC 27615, **USA**
 Phone: +1 919 676 5292
 Fax: +1 509 696 2713

austriamicrosystems USA, Inc.
 4030 Moorpark Ave
 Suite 116
 San Jose, CA 95117, **USA**
 Phone: +1 408 345 1790
 Fax: +1 509 696 2713

austriamicrosystems AG
 Suite 811, Tsimshatsui Centre
 East Wing, 66 Mody Road
 Tsim Sha Tsui East, Kowloon, **Hong Kong**
 Phone: +852 2268 6899
 Fax: +852 2268 6799

austriamicrosystems AG
 AIOS Gotanda Annex 5th Fl., 1-7-11,
 Higashi-Gotanda, Shinagawa-ku
 Tokyo 141-0022, **Japan**
 Phone: +81 3 5792 4975
 Fax: +81 3 5792 4976

austriamicrosystems AG
 #805, Dong Kyung Bldg.,
 824-19, Yeok Sam Dong,
 Kang Nam Gu, Seoul
Korea 135-080
 Phone: +82 2 557 8776
 Fax: +82 2 569 9823

austriamicrosystems AG
 Singapore Representative Office
 83 Clemenceau Avenue, #02-01 UE Square
 239920, **Singapore**
 Phone: +65 68 30 83 05
 Fax: +65 62 34 31 20

Copyright

Devices sold by austriamicrosystems are covered by the warranty and patent indemnification provisions appearing in its Term of Sale. austriamicrosystems makes no warranty, express, statutory, implied, or by description regarding the information set forth herein or regarding the freedom of the described devices from patent infringement. austriamicrosystems reserves the right to change specifications and prices at any time and without notice. Therefore, prior to designing this product into a system, it is necessary to check with austriamicrosystems for current information. This product is intended for use in normal commercial applications.

Copyright © 2009 austriamicrosystems. Trademarks registered ®. All rights reserved. The material herein may not be reproduced, adapted, merged, translated, stored, or used without the prior written consent of the copyright owner. To the best of its knowledge, austriamicrosystems asserts that the information contained in this publication is accurate and correct. However, austriamicrosystems shall not be liable to recipient or any third party for any damages, including but not limited to personal injury, property damage, loss of profits, loss of use, interruption of business or indirect, special, incidental or consequential damages, of any kind, in connection with or arising out of the furnishing, performance or use of the technical data herein. No obligation or liability to recipient or any third party shall arise or flow out of austriamicrosystems rendering of technical or other services.