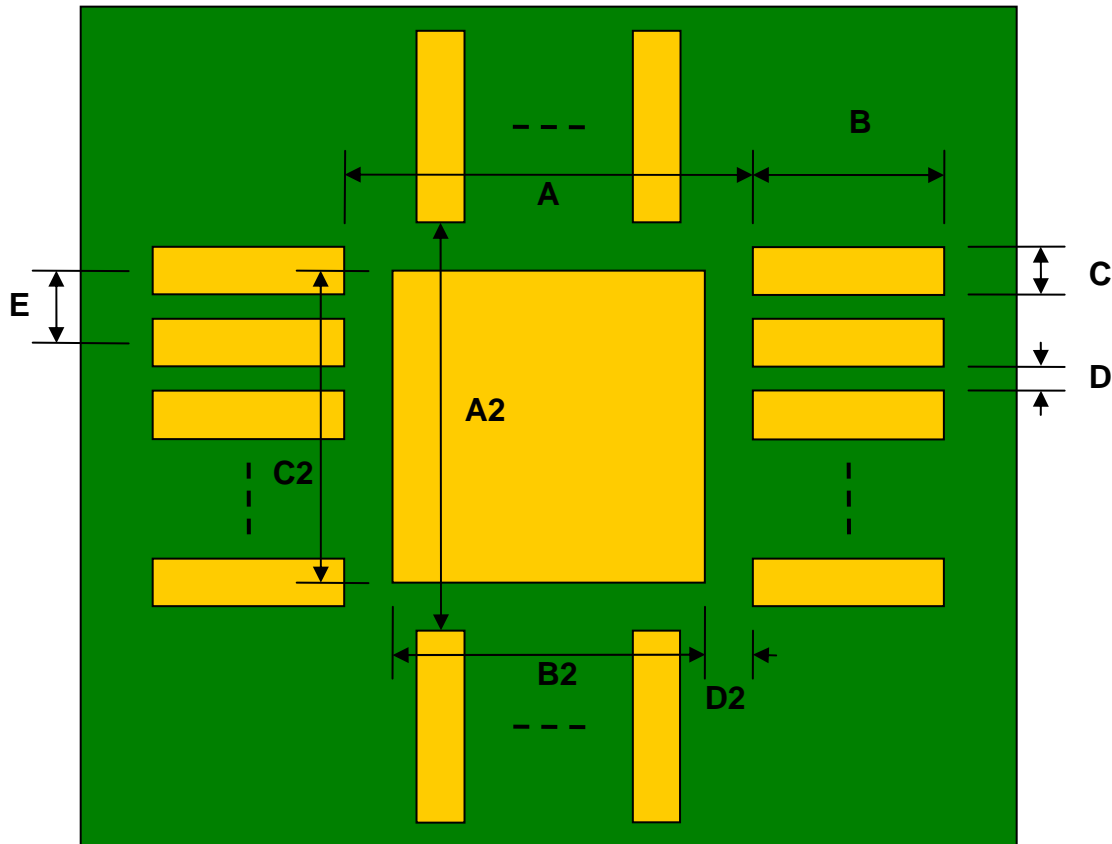


QFN-44 to DIP-48 SMT Adapter (0.65 mm pitch, 8.0 x 8.0 mm body, 6.45 x 6.45 mm pad)

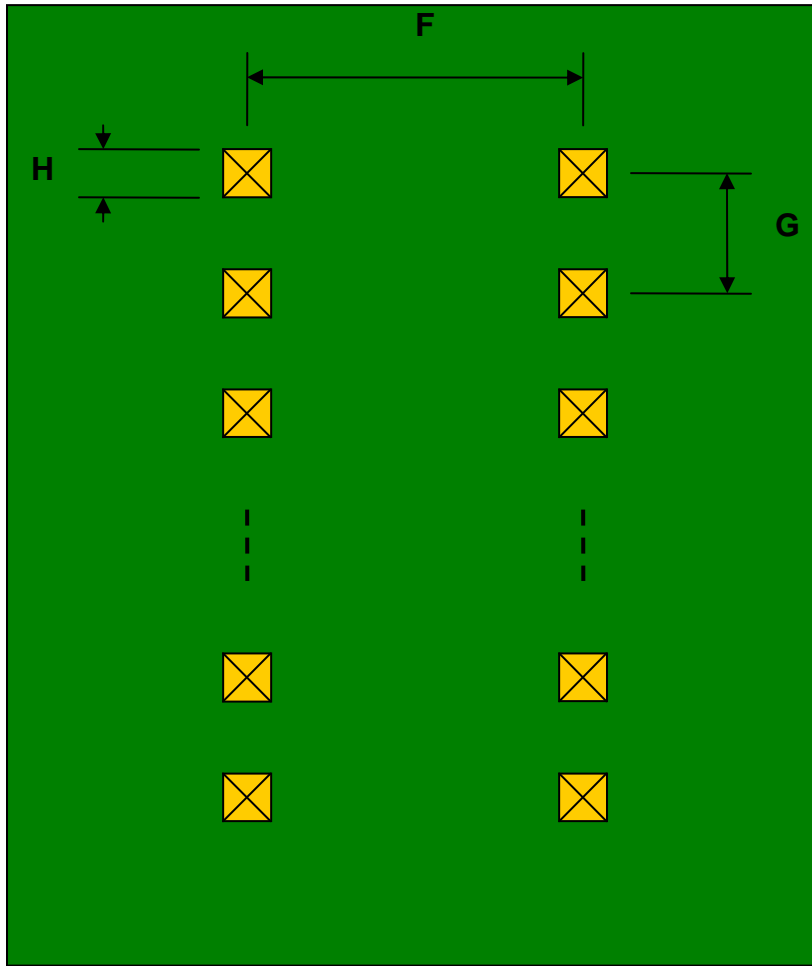
REF.	DIMENSIONS					
	mm			inches		
	MIN.	TYP.	MAX.	MIN.	TYP.	MAX.
A		7.20				
A2		7.20				
B		0.80				
C		0.35				
B2		6.45				
C2		6.45				
D		0.30				
D2		0.375				
E		0.65				
F					0.600	
G					0.100	
H					0.025	

Top View (SMT Footprint)



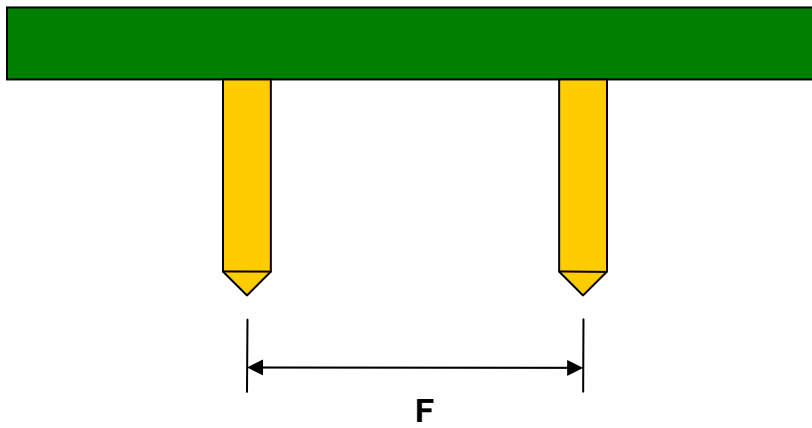
(Representative drawing only - not to scale)

Bottom View (DIP Pins)



(Representative drawing only - not to scale)

Side View (DIP Pins)



(Representative drawing only - not to scale)