

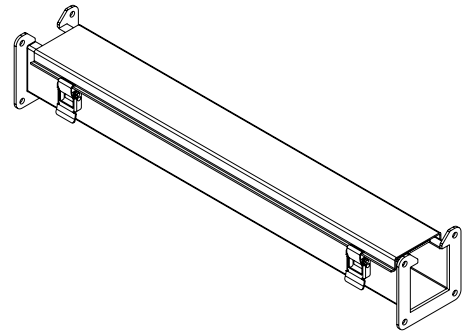
PART No. 1485B24

for more information visit

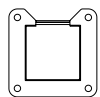
www.hammmfg.com

Data subject to change without notice

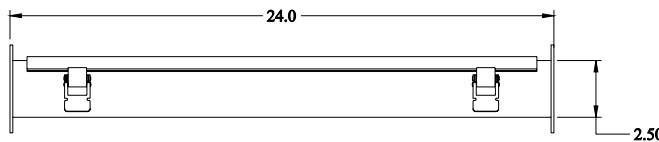
Isometric drawing Not to Scale



TOP VIEW



SIDE VIEW

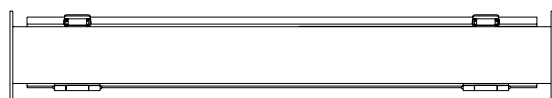


FRONT VIEW



SIDE VIEW

ISOMETRIC VIEW



BOTTOM VIEW