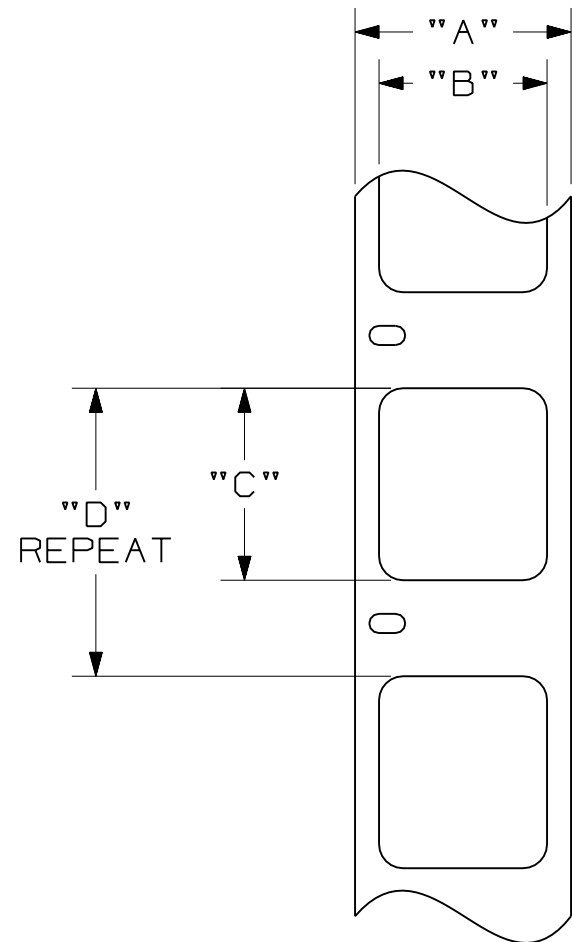
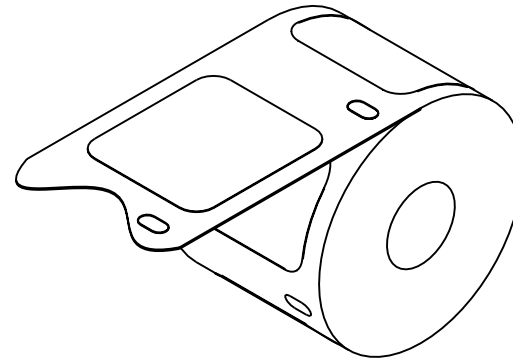


- NOTES:  
 1. SEE MFG. DWG. NO. A61318.  
 2. DIMENSIONS IN [ ] ARE IN MILLIMETERS.



PANDUIT PART NO.	MATERIAL	"A"	"B"	"C"	"D"	LABELS/ROLL
C061X030FJC	WHITE POLYESTER GMPO	0.85 [ 21.59 ]	0.610 [ 15.49 ]	0.300 [ 7.62 ]	0.625 [ 15.88 ]	500
C125X030FJC	WHITE POLYESTER GMPO	0.63 [ 16.00 ]	0.300 [ 7.62 ]	1.250 [ 31.75 ]	1.500 [ 38.10 ]	200
C188X030FJC	WHITE POLYESTER GMPO	0.63 [ 16.00 ]	0.300 [ 7.62 ]	1.875 [ 47.63 ]	2.125 [ 53.98 ]	150
C200X100FJC	WHITE POLYESTER GMPO	1.13 [ 28.70 ]	1.000 [ 25.40 ]	2.000 [ 50.80 ]	2.250 [ 57.15 ]	150
C252X030FJC	WHITE POLYESTER GMPO	0.63 [ 16.00 ]	0.300 [ 7.62 ]	2.520 [ 64.01 ]	2.875 [ 73.03 ]	125
C261X030FJC	WHITE POLYESTER GMPO	0.63 [ 16.00 ]	0.300 [ 7.62 ]	2.610 [ 66.29 ]	2.875 [ 73.03 ]	125
C315X030FJC	WHITE POLYESTER GMPO	0.63 [ 16.00 ]	0.300 [ 7.62 ]	3.150 [ 80.01 ]	3.500 [ 88.90 ]	100
C379X030FJC	WHITE POLYESTER GMPO	0.63 [ 16.00 ]	0.300 [ 7.62 ]	3.790 [ 96.27 ]	4.125 [ 104.78 ]	75

CAD FILENAME/LAYERS 100472MA\_C10413\_CxxxXxxxX FJC\_00.PRT

										<h1>PANDUIT</h1> CORP TINLEY PARK, ILLINOIS CUSTOMER DRAWING LSB COMPONENT LABELS C***X***FJC					
										UNLESS OTHERWISE SPECIFIED, DIMENSIONAL TOLERANCES ARE: (.X) ± .030 ANGLES ± .015 (.XX) ± .030 ANGLES ±		UNLESS OTHERWISE SPECIFIED, ALL DIMENSIONS ARE GIVEN IN INCHES, THIRD ANGLE PROJECTION			
										DRAWN BY RVU		MAT'L: SEE TABLE		SCALE NTS	
0	5-11-06	RVU		DRAWING RELEASE			4503	R			DATE 5-11-06			DRAWING NO. C10413	DWG B
REV	DATE	BY	CHK	DESCRIPTION			ECN	R	CUST	SUP	CHK'D				SIZE