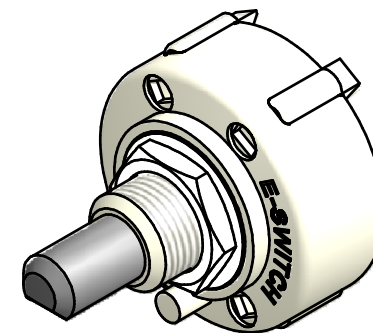
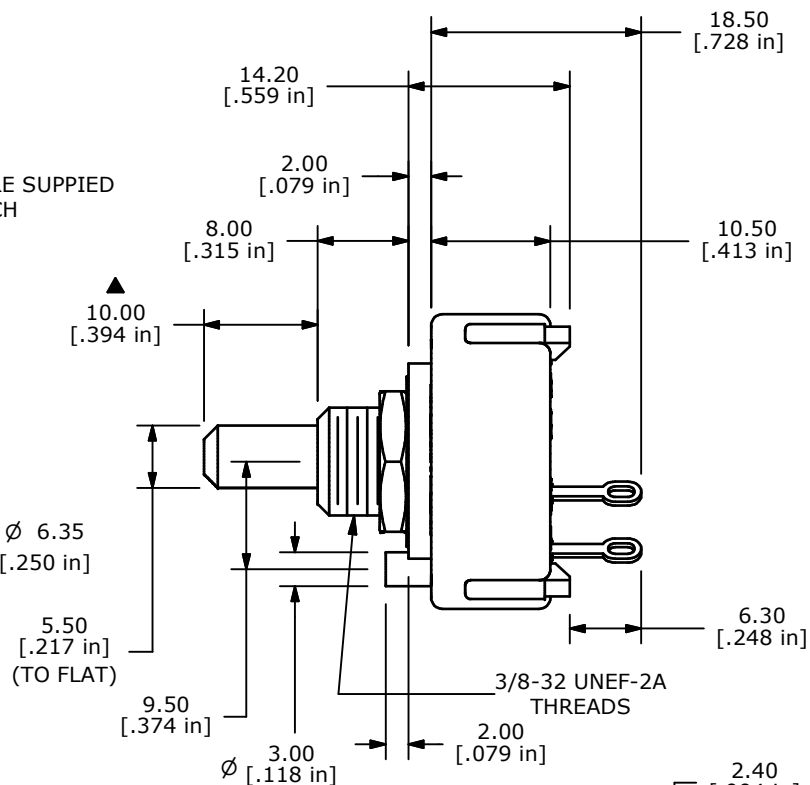
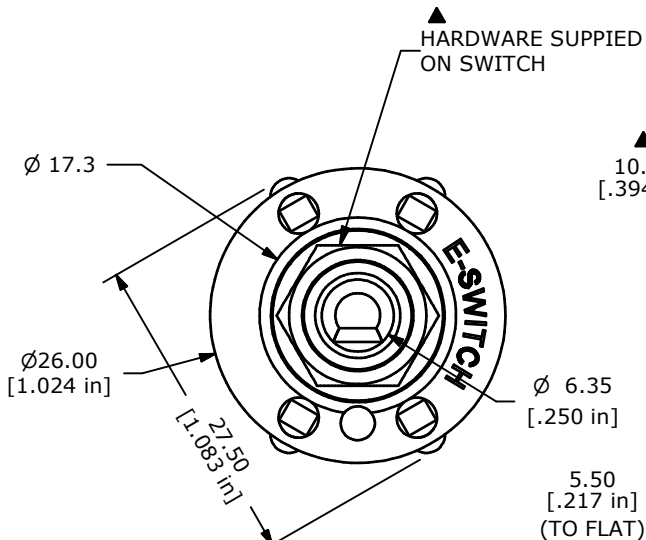
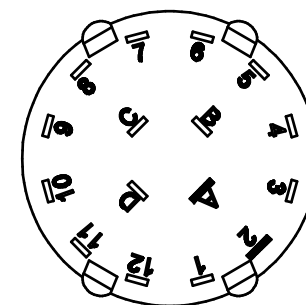


**CONTACT CONFIGURATION
TIMING (BBM) NON-SHORTING**

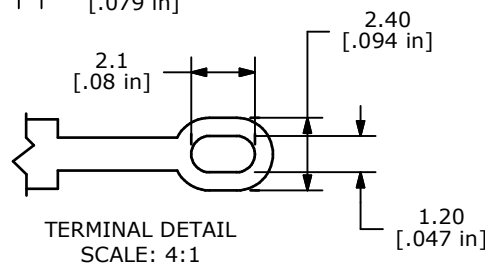


ISOMETRIC



NOTE:

1. ALL DIMENSIONS IN MM[INCH].
2. GENERAL TOLERANCE: X.X=±0.4
X.XX=±0.25
3. TERM. NOS. FOR REFERENCE ONLY.
- ▲ 4. CONTACT MATERIAL: GOLD
5. CONTACT RATING: 150MILLIAMP, 250VAC/DC
350MILLIAMP, 110VAC/DC
6. CONTACT RATING (NON-SWITCHING) 5A
7. OPERATING FORCE 0.8 +/- 0.3 KG/CM
8. OPERATING TEMP: -30°C TO 85°C
- ▲ 9. CIRCUIT SP: 2 POSITION, 30° INDEX.
10. DIELECTRIC STRENGTH: 1000V RMS MIN.@ SEA LEVEL.
- ▲ 11. HARDWARE SUPPLIED ON SWITCH:
LOCKWASHER, HEXNUT, STOP RING
12. ▲ DENOTES CRITICAL PARAMETER.



A	18357	RELEASED FOR PRODUCTION	1/7/09	BLR
REV	PCR NO	DESCRIPTION	DATE	BY

TITLE KC11A10.001NLF				
SCALE	DATE	DR	DWG	REV
1.5:1	1/7/2009	BLR	G527568	A

THE INFORMATION CONTAINED IN THIS DOCUMENT IS PROPRIETARY TO E-SWITCH AND IS NOT TO BE COPIED OR TRANSFERRED