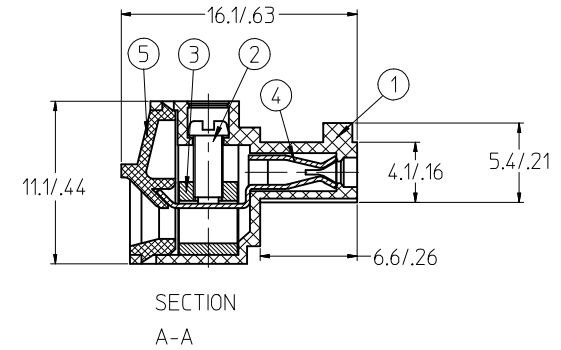
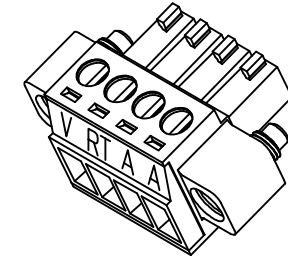
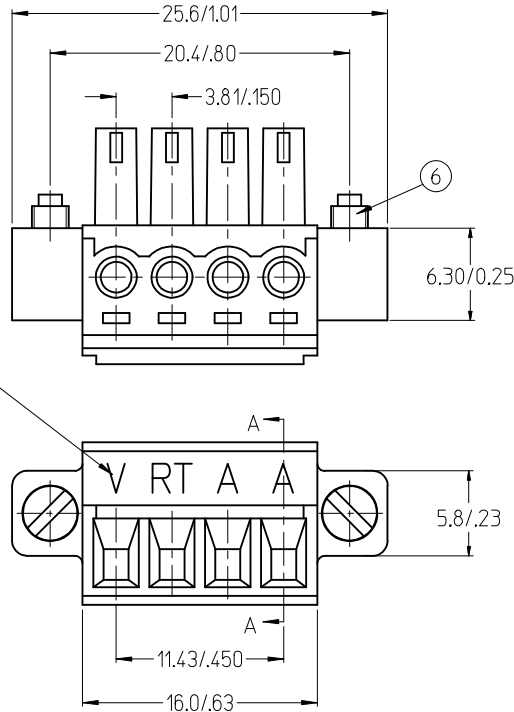
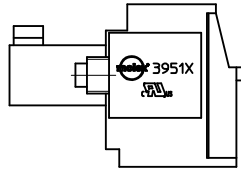


NO OF CIRCUITS	PART NO	PLATING	PLATING THICKNESS
4	395190007	TIN*	100 MICRO-IN
4	395190008	GOLD*	30 MICRO-IN

\*79 MICRO-IN NICKEL UNDERPLATE

IMPRINT AS SHOWN. CHARACTERS TO BE CENTERED ON EACH CIRCUIT. FONT: ROMAN D FONT HEIGHT: 1.5/06



**SPECIFICATIONS:**

- MATERIAL:
  - BODY: PA66 (UL94, V-0)
  - SCREW: ZINC PLATED STEEL
  - CAGE: NICKEL PLATED BRASS
  - TERMINAL MATERIAL: PHOSPHOR BRONZE
  - COVER: PA66 (UL94, V-0)
  - SCREW: ZINC PLATED STEEL
- WIRE RANGE: 24-16 AWG
- MAX TORQUE: 2 In-Lbs.
- ELECTRICAL RATING: 300V, 8A.
- WIRE STRIP LENGTH: 6.5mm.
- OPERATING TEMPERATURE: -40°C TO +105°C.
- INSULATION RESISTANCE: DC 500V, 500 MEGOHMS.
- DIELECTRIC WITHSTAND: AC 2500V FOR 1 MINUTE.
- BREAKDOWN VOLTAGE: 4000V.
- CONTACT RESISTANCE: <10 MILLIOHMS.
- ASSEMBLY IS ROHS COMPLIANT

TOLERANCES			
MM	TOL	INCH	TOL
0-6	±0.25	0-.24	±.010
>6-30	±0.40	.24-1.18	±.016
>30-120	±0.50	1.18-4.76	±.020
>120	±0.80	>4.76	±.031

ADDED PRT NO. CHRT EC NO: IFC2017-0596 DR: MNRKIVADAR 2017/06/01 CHKD: APPR: BRUPERT 2017/07/21 REV C2	QUALITY SYMBOLS ▽=0 ▽=0	GENERAL TOLERANCES (UNLESS SPECIFIED) mm INCH 4 PLACES ±--- ±--- 3 PLACES ±--- ±--- 2 PLACES ±--- ±--- 1 PLACE ±--- ±--- ANGULAR ±---°	DIMENSION STYLE MM/IN DRAWN BY DATE C. YORK 2007/04/16 CHECKED BY DATE J. MACNEIL 2007/04/16 APPROVED BY DATE J. MACNEIL 2007/04/16	SCALE DESIGN UNITS INCH THIRD ANGLE PROJECTION	TITLE 3.81MM, EURO PLUG, RIGHT ANGLE, MTG ENDS, SP. IMPRINT V,RT,A,A MOLEX INCORPORATED	MATERIAL NO. SEE TABLE	DOCUMENT NO. SD-39519-001	SHEET NO. 1 OF 1
	DRAFT WHERE APPLICABLE MUST REMAIN WITHIN DIMENSIONS		THIS DRAWING CONTAINS INFORMATION THAT IS PROPRIETARY TO MOLEX INCORPORATED AND SHOULD NOT BE USED WITHOUT WRITTEN PERMISSION					