

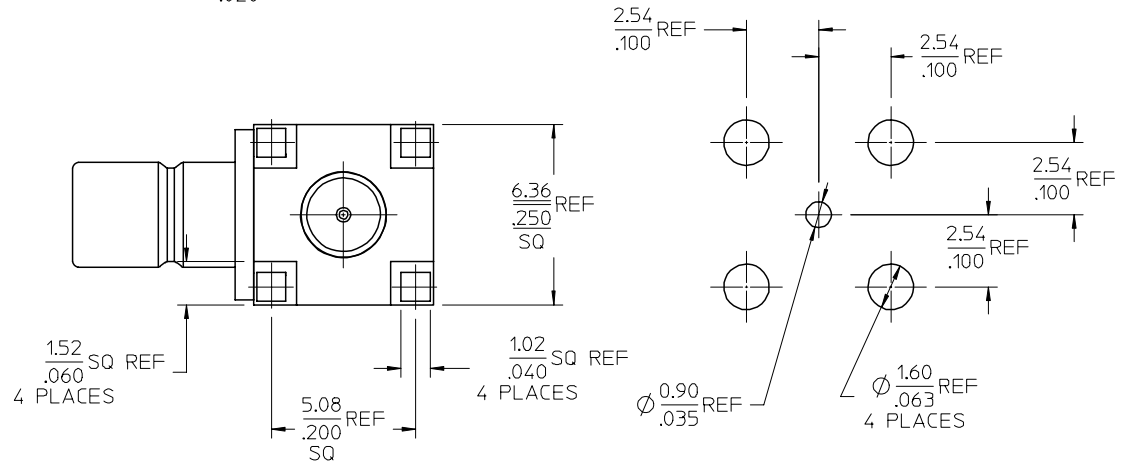
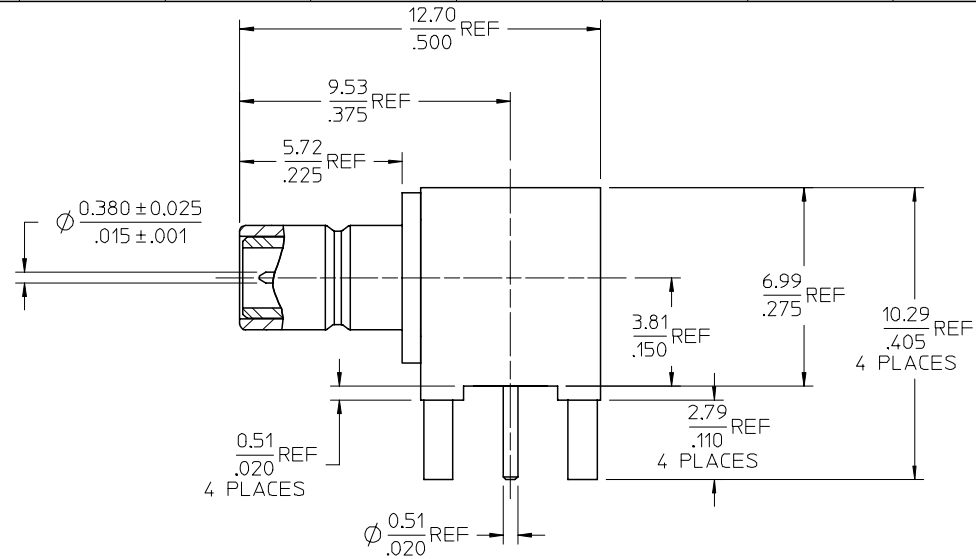
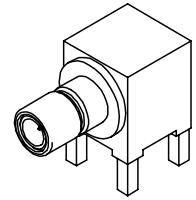
13 12 11 10 9 8 7 6 5 4 3 2 1

MATERIALS AND FINISHES

BODY BRASS
PLATED GOLD

CENTER CONTACT BRASS
PLATED GOLD

INSULATOR TEFLON



PS-73598-0104	ELECTRO/MECH. PERFORM.
SPECIFICATION	DESCRIPTION

73404-2330	73100-0259, ONE PER BAG
73100-0259	TRAY
PART NO.	PACKAGING

CHG: REDREW IN SD	QUALITY SYMBOLS ▽=0 ▽=0
ADDED P/N	
73404-2330	
B1	

GENERAL TOLERANCES (UNLESS SPECIFIED)	DIMENSION STYLE	SCALE	DESIGN UNITS	THIRD ANGLE PROJECTION
4 PLACES ± .005	MM/IN		METRIC	
3 PLACES ± .005				
2 PLACES ± .005				
1 PLACE ± .005				
ANGULAR ± 2°				
DRAFT WHERE APPLICABLE MUST REMAIN WITHIN DIMENSIONS				

DRAWN BY	DATE	TITLE
SEAN	1995/10/11	SMB JACK, R/A, PCB SPECIAL RECEPTACLE SMB-J/RA/PCB
CHECKED BY	DATE	
APPROVED BY	DATE	
MATERIAL NO.	DOCUMENT NO.	SHEET NO.
SEE TABLE	SD-73100-0259	1 OF 1

MOLEX INCORPORATED	
THIS DRAWING CONTAINS INFORMATION THAT IS PROPRIETARY TO MOLEX INCORPORATED AND SHOULD NOT BE USED WITHOUT WRITTEN PERMISSION	

12 11 10 9 8 7 6 5 4 3 2 1