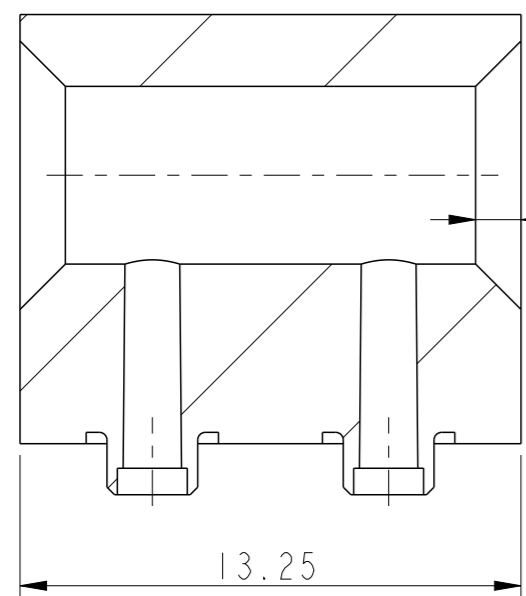
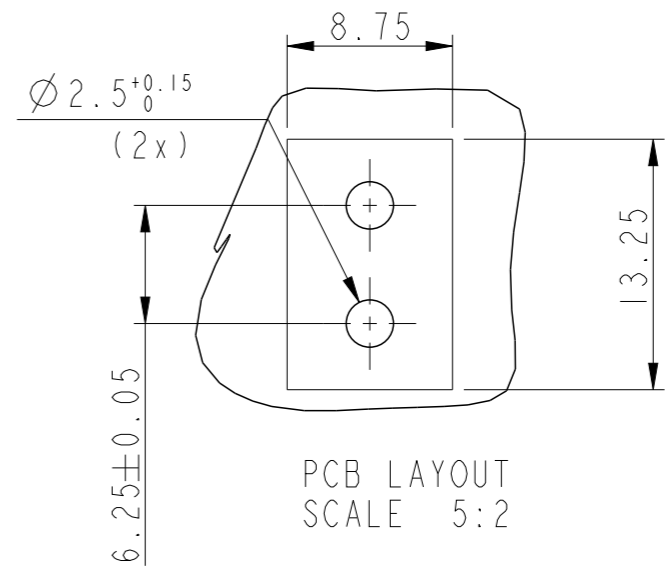
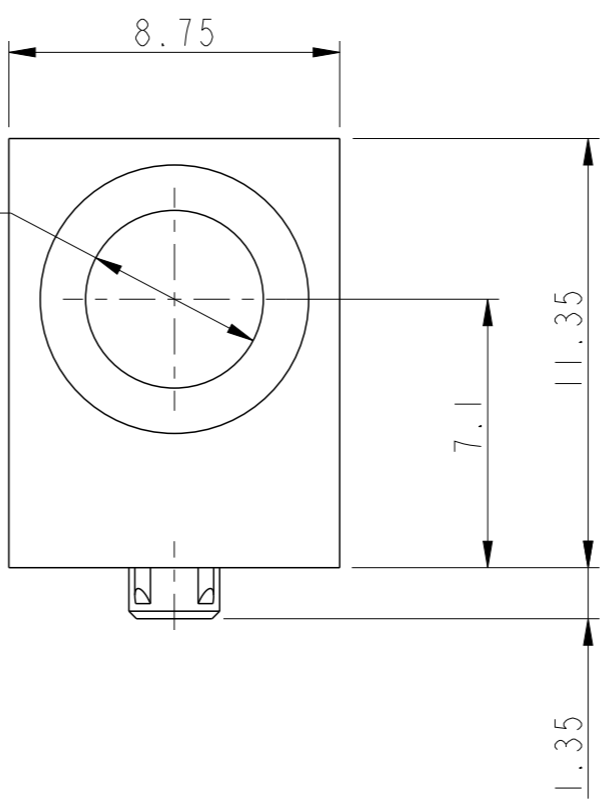


PART NUMBER  
10035667-002LF



$\phi 4.7 \pm 0.05$

1.2x45°



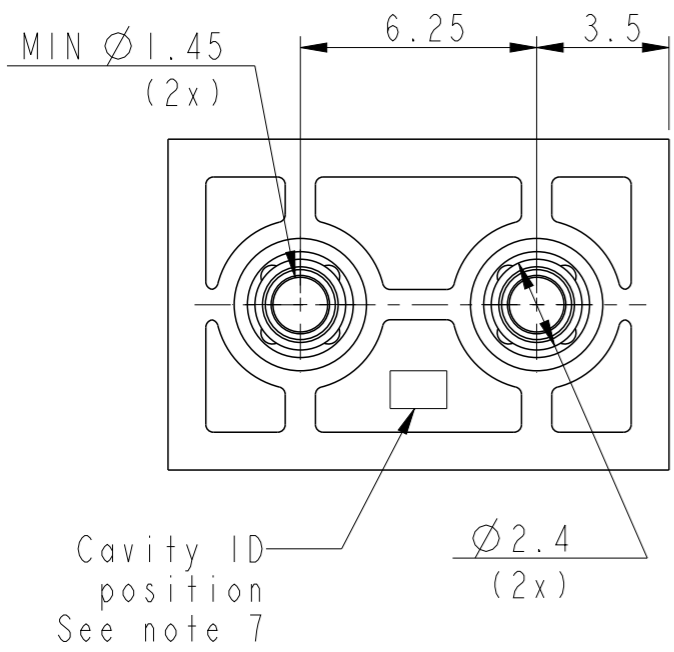
1. PREMOUNT



2. MOUNT TO END POSITION

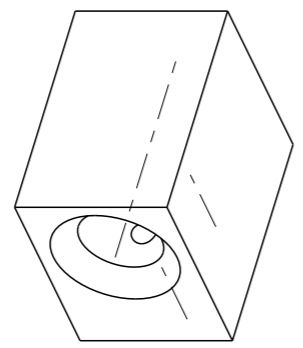
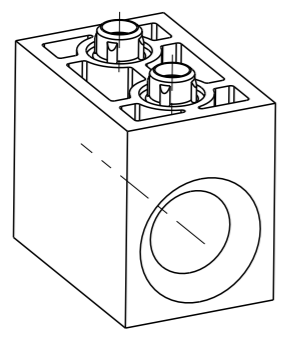


3. SCREW See note 4



NOTES :

- Material PBT 30% GF; UL94 V0; Black
- Screw to use :  
board thickness 1.6-2.4 mm : EJOT K18WNI452 (torx)  
other board thickness : choose right length (rivet)
- Application :  
1 - premount guide block on pcb holes  
2 - push block in end position manually or with standard Metral flat rock tooling (not B-version)  
3 - screw in the 2 screws with max torque 0.2 Nm
- Product requirements :  
- 160 N perpendicular to board (see A)  
- 160 N parallel to board (see B)  
- Vibration, Shock, Rapid Change of Temperature, Climatic sequence acc. to IEC 61076-104 pl 1
- Minimum Order Quantity : 50 000 pcs
- Packaging : Bulk 500 pcs in plastic bag in box
- Marking : cavity no. only



spec ref	*	dr	Louis Ng	2010/10/28	projection	mm	size	A3	scale	1:1
tolerance std	ISO 406 ISO 1101	eng	De-Feng, Qin	2011/11/09			ecn no	ELX-DG-007848-1	rel level	Released
TOLERANCES UNLESS OTHERWISE SPECIFIED		chr	Charlie Liu	2011/11/10						
surface	ISO 1302	appr	Pei-Ming Zheng	2011/11/10			dwg no	10035667-002	rev	E
	linear									
	angular									
		www.fci.com		cat. no.	10035667-002LF	Product - Customer Drw		sheet 1 of 1		



Copyright FCI.