

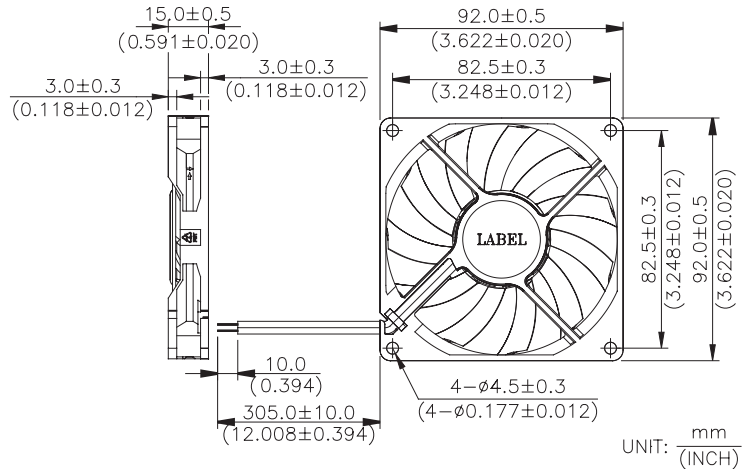
New



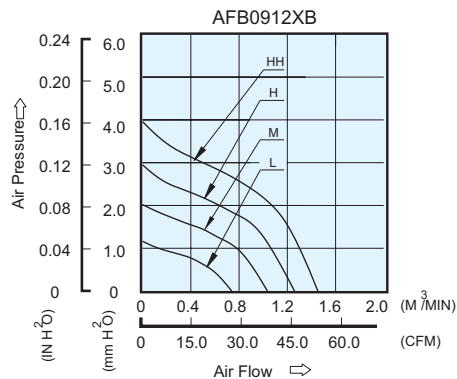
- * Bearing Type
Two Ball Bearings
- * Material
Impeller & Frame : Plastic(UL 94V-0)
- * Lead Wires :
UL 1007 AWG #24 OR Equivalent
Red Wire Positive(+)
Black Wire Negative(-)
- * Weight : 68g (2.39 OZ)
- * Rib Type Only

AFB 92 x 92 x 15 MM SERIES

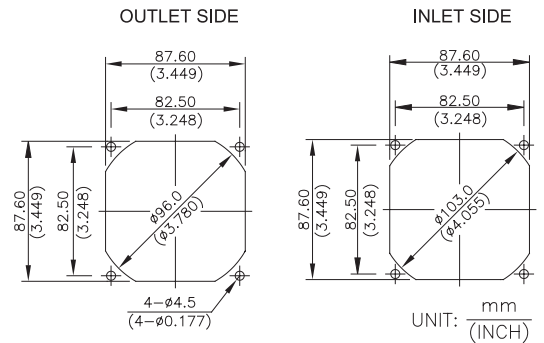
■ DIMENSIONS DRAWING



■ P & Q CURVE (AT RATED VOLTAGE)



■ MOUNTING PANEL CUTOUT



MODEL		Rated Voltage	Operating Voltage Range	Rated Current	Rated Input Power	Speed	Maximum Air Flow		Maximum Air Pressure		Noise
PART NO.	FUNCTION	VDC	VDC	Amp	Watt	R.P.M.	m ³ /min	CFM	mmH ₂ O	IN H ₂ O	dB-A
AFB0912LB	-R00 / -F00	12	4.0 to 13.8	0.10	1.20	1800	0.739	26.09	1.16	0.045	25.0
AFB0912MB	-R00 / -F00	12	4.0 to 13.8	0.13	1.56	2300	1.035	36.55	2.02	0.079	32.5
AFB0912HB	-R00 / -F00	12	4.0 to 13.8	0.21	2.52	2800	1.260	44.49	2.95	0.116	37.5
AFB0912HMB	-R00 / -F00	12	4.0 to 12.6	0.31	3.72	3300	1.453	51.53	3.96	0.156	41.5

- * Function type is optional.
- * The max. air flow and the speed are measured in free air ; max. air pressure is measured at zero air flow.
- * Noise is measured in anechoic chamber in free air, one meter from intake side.
- * All readings are typical values at rated voltage.
- * Specifications are subject to change without notice.