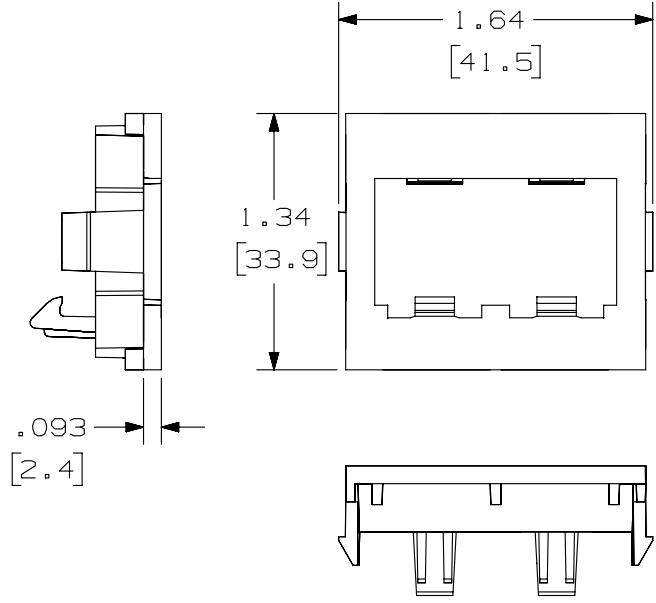


2

1

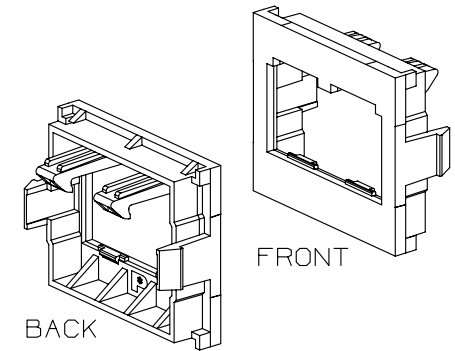
THIS COPY IS PROVIDED ON A RESTRICTED BASIS AND IS NOT TO BE USED IN ANY WAY DETRIMENTAL TO THE INTERESTS OF PANDUIT CORP.

PANDUIT P/N	WEIGHT
CHF2**-X	.9 LB/100 PCS (410g/100 PCS)



NOTES:

1. SEE CURRENT CATALOG FOR ADDITIONAL PART NUMBER SUFFIXES TO INDICATE COLOR AND OR PACKAGE QUANTITY.
2. IS TO BE USED WITH THE MINI-COM BEZELS AND MINI-COM MODULES.
3. DIMENSIONS IN PARENTHESES ARE IN METRIC.



PART NUMBER		CHF2**-X	
TITLE			
MINI-COM 2 POSITION 1/2 SIZE FLAT MODULE INSERT			
CUSTOMER DRAWING			
ITEM REVISION NAME		D35241BI/00	
DATASET FILE NAME		D35241BI_DC/00C	
UNLESS OTHERWISE SPECIFIED, DIMENSIONAL TOLERANCES ARE: IN (mm)		MATERIAL:	
.x ± .xx ± .03 (.8)		ABS	
.xxx ± .010 (.3)		DRAWING NUMBER:	
ANGLES ±		35241-09	
THIRD ANGLE PROJECTION		SHT 1 OF 1	
DRAWN BY	DATE	CHK	SCALE
DW	3-05-96	CEF	NONE
REV	DATE	BY	CHK
3	4/23/14	JSP	REFR
MMR	REVISED AND REDRAWN, PREVIOUS REVISIONS HAVE BEEN OMITTED.		35241-09
APR	DESCRIPTION		ECN

2

1

D10100DA/14